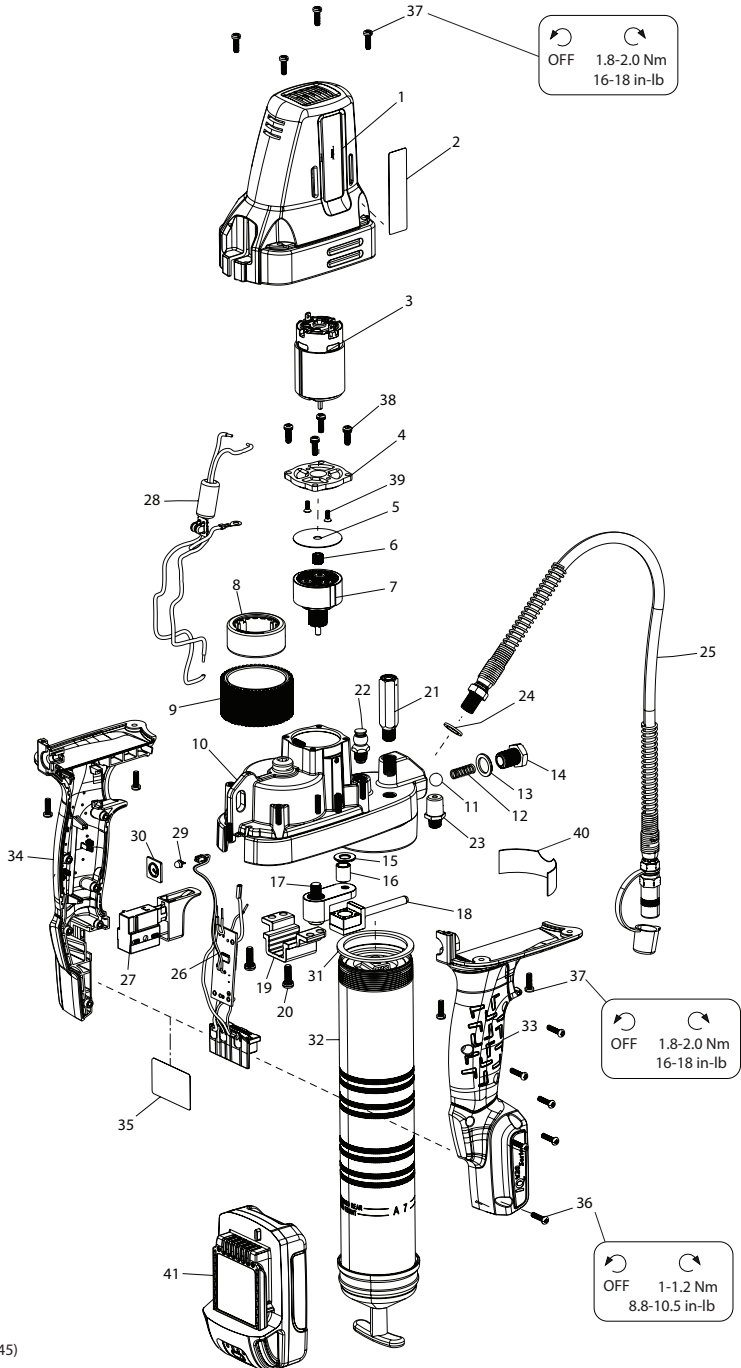


LUB5130 Cordless Grease Gun - Exploded View



(Dwg. 47503145)

LUB5130 Cordless Grease Gun - Parts List

| Item | Part Description | Part Number | (CCN) | Item | Part Description | Part Number | (CCN) |
|------|---------------------------------|--------------|---------------|------|---------------------------------|---------------|---------------|
| * | Motor Housing Kit | LUB5130-K40M | (47506785001) | 25 | Hose | LUB5130-K873 | (47510848001) |
| 1 | Housing, Motor | --- | --- | * | Switch Kit | LUB5130-K93 | (47507237001) |
| 2 | Warning Label | --- | --- | 26 | PCB Assembly | --- | --- |
| 37 | Screw, Pump Housing (4) | --- | --- | 27 | Switch | --- | --- |
| * | Electric Motor Kit | LUB5130-K54 | (47507234001) | 28 | Ferrite Assembly | --- | --- |
| 3 | Motor | --- | --- | 29 | LED | LUB5130-K498 | (47510849001) |
| 4 | Adaptor Plate, Motor | --- | --- | 30 | Lens, LED | LUB5130-K1010 | (47512205001) |
| 38 | Screw, Motor Adaptor Plate (4) | --- | --- | 31 | Gasket, Canister | LUB5130-K283 | (47510850) |
| 39 | Screw, Motor (2) | --- | --- | 32 | Canister | LUB5130-K809 | (47510851001) |
| * | Pump Housing Kit | LUB5130-K727 | (47507236001) | * | Handle Housing Kit | LUB5130-K40 | (47506785001) |
| 5 | Washer, Motor | --- | --- | 33 | Housing, Right Handle | --- | --- |
| 6 | Pinion | --- | --- | 34 | Housing, Left Handle | --- | --- |
| 7 | Gear Assembly | --- | --- | 35 | Information Label | --- | --- |
| 8 | Bearing | --- | --- | 36 | Screw, Handle Housing (6) | --- | --- |
| 9 | Spur Gear | --- | --- | 37 | Screw, Pump Housing (4) | --- | --- |
| 10 | Housing, Pump | --- | --- | * | Screw Kit | LUB5130-K68 | (47507239001) |
| 11 | Ball | --- | --- | 37 | Screw, Pump Housing (8) | --- | --- |
| 12 | Spring | --- | --- | 38 | Screw, Motor Adaptor Plate (4) | --- | --- |
| 13 | Gasket | --- | --- | 39 | Screw, Motor (2) | --- | --- |
| 14 | Plug | --- | --- | 36 | Screw, Handle Housing (6) | --- | --- |
| 15 | Wave Washer Assembly | --- | --- | 41 | Battery (2.5 Ah) | BL2012 | (47515903001) |
| 16 | Bushing | --- | --- | * | Battery (5.0 Ah) | BL2022 | (47515902001) |
| 17 | Crank Assembly | --- | --- | * | Label Kit | LUB5130-K99 | (47507240001) |
| 18 | Slide Block Assembly | --- | --- | * | Protective Battery Boot | | |
| 19 | Slide Block Holder | --- | --- | | for BL2012 | BL2005-BOOT | (47510965001) |
| 20 | Screw, Slide Block | --- | --- | | for BL2022 | BL2010-BOOT | (47510964001) |
| 21 | Pressure Relief Valve | LUB5130-K526 | (47510844001) | * | Battery Charger | BC1121 | (47507879001) |
| 40 | Warning Label, Injection Hazard | --- | --- | 2 | Warning Label | --- | --- |
| 22 | Valve, Bleed | LUB5130-K359 | (47510845001) | 35 | Information Label | --- | --- |
| 23 | Valve, Fill | LUB5130-K159 | (47510846001) | 40 | Warning Label, Injection Hazard | --- | --- |
| 24 | Gasket, Hose | LUB5130-K223 | (47510847001) | * | Carrying Case | LUB5000-CASE | (47504239001) |
| | | | | * | Case Latch | W7000-LATCH | (47507275001) |

* Indicates not illustrated.

Parts and Maintenance

When tool life has expired, it is recommended that the tool be disassembled, degreased and parts separated by material for proper recycling.

Tool repair and maintenance should only be carried out by an authorized Service Center.

Refer all communications to the nearest **Ingersoll Rand** office or distributor.

Related Documentation

Manuals can be downloaded from ingersollrand.com

For additional information, refer to:

Cordless Grease Gun Product Safety Information Manual 47505746

Cordless Grease Gun Product Information Manual 47505747

