



80153224
Edition 8
February 2014

Air Grinder and Die Grinder

G3 Series (Horizontal)

Parts Information

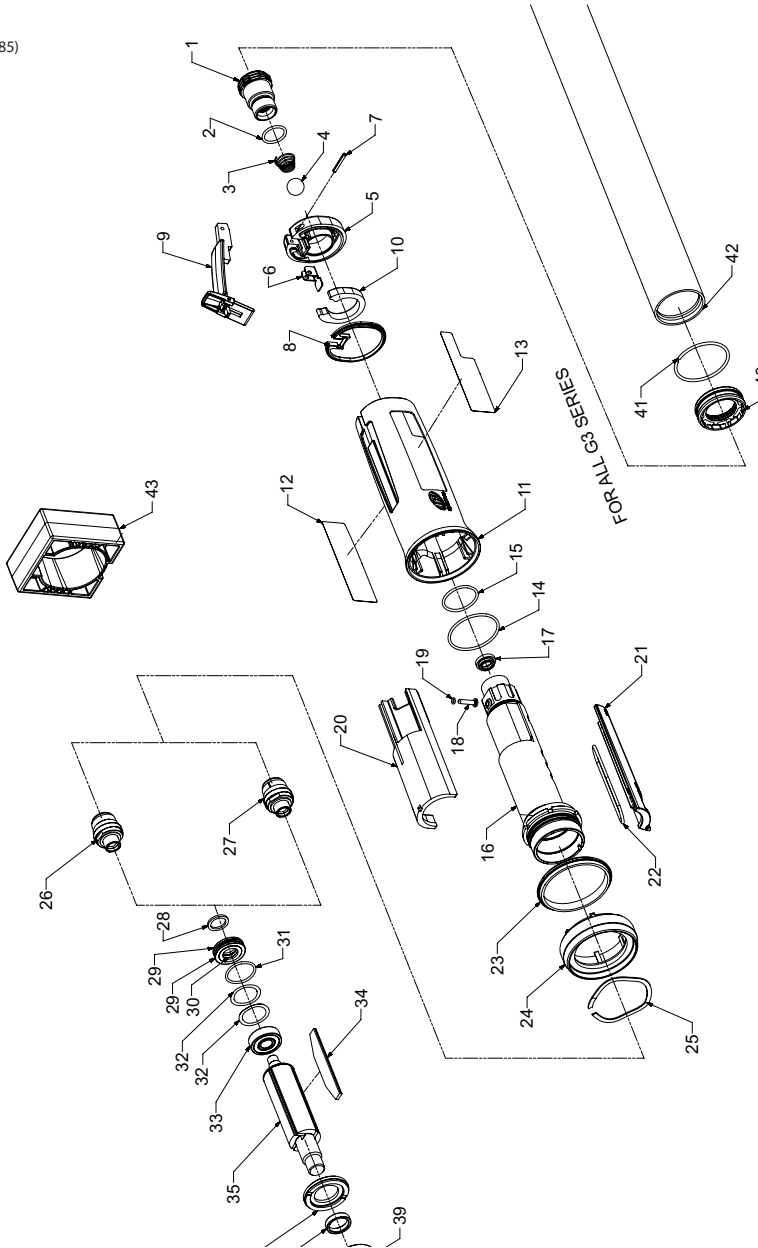


Save These Instructions

 **Ingersoll Rand**[®]

G3 Series Air Grinder and Die Grinder (Horizontal) Body - Exploded View

(Dwg. 16577785)

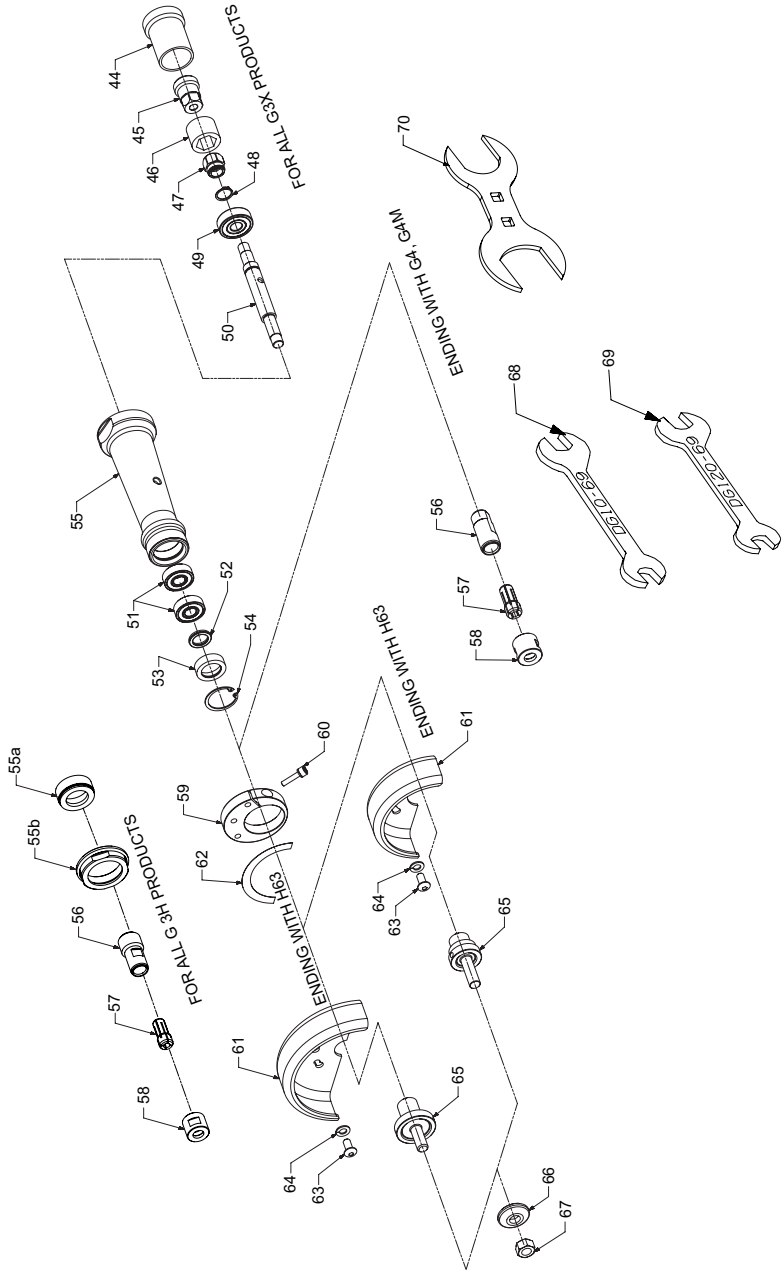


G3 Series Air Grinder and Die Grinder (Horizontal) Body - Parts List

Item	Part Description	Part Number	Item	Part Description	Part Number
Common parts for ALL G3X Grinders			Common parts for ALL G3X Grinders		
1	Inlet Assembly	AG3-A465	22	Intake Cover O-Ring	80150881
*	Inlet Screen	R1602-61	23	Front Housing Seal	AG3-283
2	Inlet Seal	85H-167	24	Front Housing Cap	AG3-202
3	Ball Valve Spring	AG3-51	25	Flange Clamp	10560944
4	Ball	D10-280	26	Controller Assembly for 150 models	AG3-422-A15
5	Rear Exhaust Diffuser	AG3-123	27	Controller Assembly for 180 models	AG3-422-A18
6	Lever Support	AG3-89	28	Felt Seal	AG3-31A
7	Throttle Lever Pin	61H-120	29	Seal Carrier (2)	AG3-26
8	Rear Exhaust Diffuser Gasket	AG3-223	30	Ring Seal	AG3-26-4
9	Lever Assembly	AG3-A400	31	O-ring	AD100-18
*	Lever	---	32	Rear Rotor Bearing Spacer (2)	80103674
*	Lock Spring	45778	33	Rear Rotor Bearing	80146798
*	Lock Pin	D92-152	34	Vane Pack	AG3-42-4
*	Lever Lock	---	35	Rotor	AG3-53-4A
10	Rear Exhaust Diffuser Muffler	AG3-311B	36	Front End Plate	AG3-11
11	Motor Housing Assembly	AG3-A40	37	Front End Plate Spacer	AG3-65
12	Warning Label	AG3-99	39	Front Rotor Bearing	AG3-24
13	Model Label	AG3-301	*	Exhaust Hose Adapter Kit	AG3-K284
14	Front Cylinder O-Ring	80152762	40	Adapter	LG2-184
15	Rear Cylinder O-Ring	16570756	41	Retainer	6WT-203
16	Cylinder Assembly	AG3-A3	42	Hose	AG3-284
*	Throttle Bushing	---	43	Clamp Tool	AG3-598
17	Ball Valve Seat	---	*	Tune Up Kit Includes Part Number (2, 3, 4, 8, 10, 14, 15, 18, 23, 24, 25, 29, 30, 31, 32, 33, 34, & 39)	AG3-TK1
18	Throttle Pin Assembly	AG2-A161			
19	Throttle Pin O-Ring	16570806	*	Rotor Kit Includes Part Number (32, 33, 34, 35, 36, 37 & 39)	AG3-A53-4A
20	Flow Guide	AG3-200			
21	Intake Cover Assembly	AG3-A144			

* Not Illustrated

G3 Series Air Grinder and Die Grinder (Horizontal) End - Exploded View



(Dwg. 16577801-3)

G3 Series Air Grinder and Die Grinder (Horizontal) Parts List- End - Parts List

Item	Part Description	Part Number	Item	Part Description	Part Number
Additional parts for all G3X models			58	Collet Nut	DG120-699A
44	Extension Spacer	AG3-276	Additional parts for all wheel models		
45	Bearing Nut	AG3-85	59	Guard Adapter Assembly	LE2-A710
46	Arbor Coupling	61H-304	60	Guard Adapter Screw	231-638
47	Bearing Nut	61H-A85	61	Wheel Guard Assembly	
48	Retaining Ring	R4800-119		for models ending in H63 (3")	LE2-A931
49	Rear Arbor Bearing	LE2-22		for models ending in H64 (4")	LE2-A941
50	Arbor	LE2-4-5SL	62	Guard Warning Label	AG2-99G
51	Front Arbor Bearing (2)	WFS182-22	63	Guard Mounting Screw (3)	LE2-667
52	Seal Assembly	61H-A32	64	Mounting Screw Washer (3)	L01-67
53	Dust Shield	LE2-200	65	Straight Wheel Adapter	
54	Retaining Ring	W22-118		for models ending in H63 (3")	LE2-4-H63
55	Extension Housing	AG3-20-5		for models ending in H64 (4")	LE3-4-H64
Additional parts for all G3H models			66	Wheel Flange	DEG31-16
55a	Collet Spacer	AG3-46-2	67	Flange Nut	23-697
55b	Front Nut	AG3-27	Accessories for models ending in G4 and G4M		
Additional parts for models ending in G4 and G4M			68	Collet Body Wrench	DG10-69
56	Collet Body		69	Collet Nut Wrench	DG120-69
	for G3X models	LG2-290	Accessories for all models		
	for G3H models	AG3-290	70	Clamp Nut Wrench	AG3-253
57	Collet				
	for models ending in G4	G160HD-700-1/4			
	for models ending in G4M	G160HD-700-6MM			

Parts and Maintenance

When the life of the tool has expired, it is recommended that the tool be disassembled, degreased and parts be separated by material so that they can be recycled.

Tool repair and maintenance should only be carried out by an authorized Service Center.

Refer all communications to the nearest **Ingersoll Rand** Office or Distributor.

Related Documentation

For additional information refer to:

Air Grinder Product Safety Information Manual 04584959.

Air Die Grinder Product Safety Information Manual 04580288.

Air Grinder Product Information Manual 80153208.

Air Die Grinder Product Information Manual 80153190.

Manuals can be downloaded from ingersollrandproducts.com

Notes:

Notes:

ingersollrandproducts.com

© 2014 *Ingersoll Rand*

