



47649556

Edition 7

April 2024

## Cordless Tool Controller

INSIGHTqcx Series

---

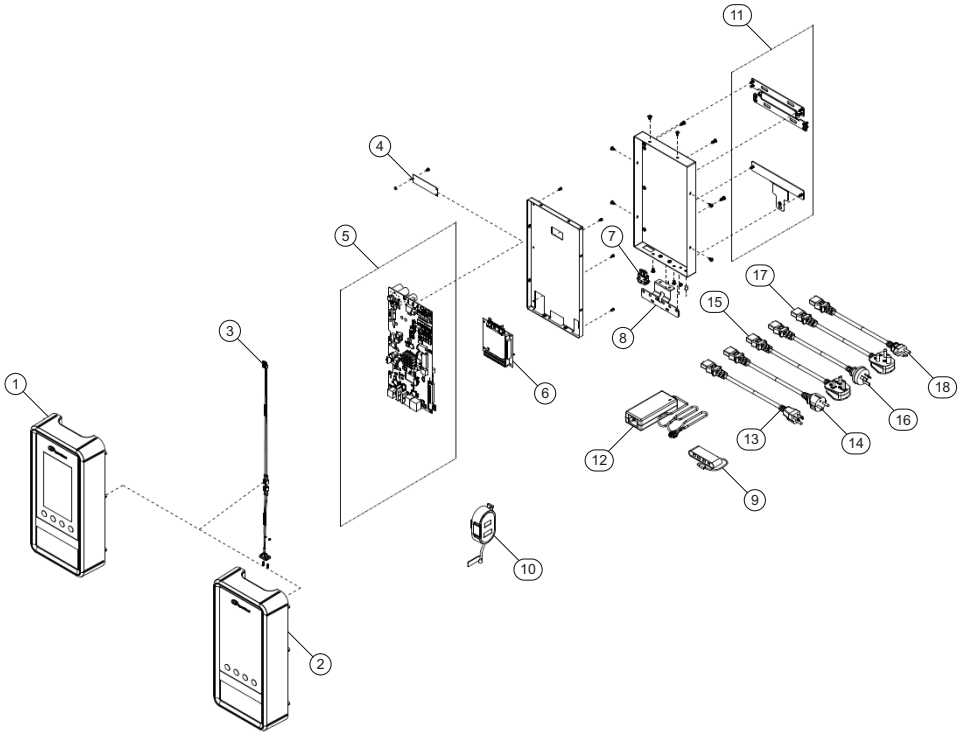
# Parts Information



Save These Instructions



## INSIGHTqcx, Cordless Tool Controller with integrated DIO - Exploded View



(Dwg. 47649556-1)

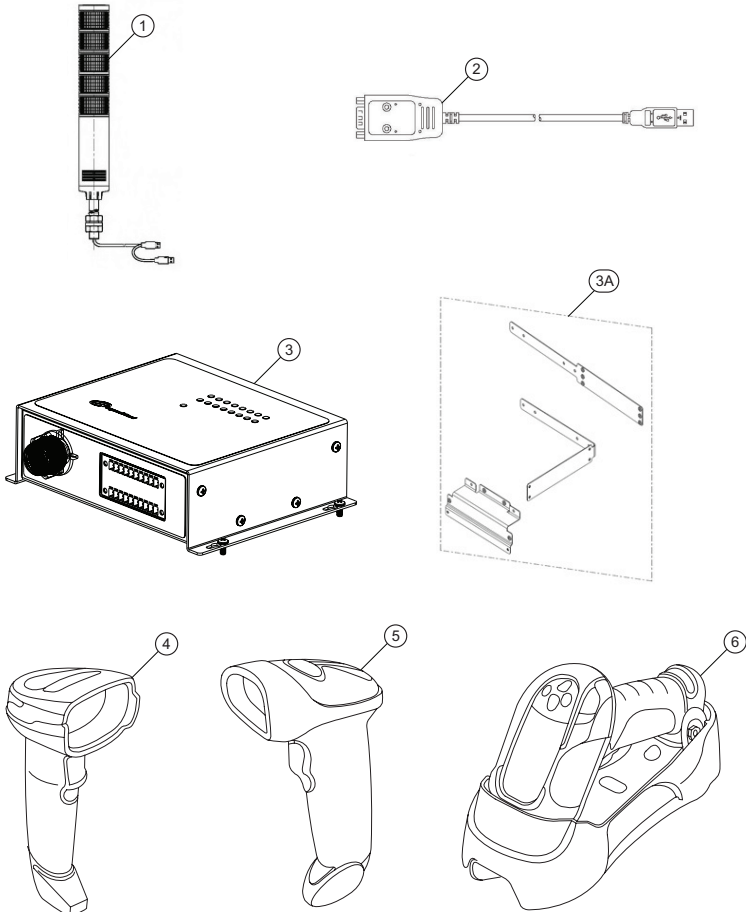
## INSIGHTqcx, Cordless Tool Controller with integrated DIO - Parts List

| Item | Part Description                                    | Part Number      |
|------|---|------------------|
| -    | Plastic Housing Assembly                            |                  |
| 1    | Plastic Housing Assembly Kit - D Type (Display)     | QCX2-A830D-K     |
| 2    | Plastic Housing Assembly Kit - M Type (Non-display) | QCX2-A830M-K     |
| *    | Label Kit, Processing Module                        | QCX2-301-K       |
| *    | Brand Label   | ---              |
| *    | Model Serial Number Label (white)                   | ---              |
| *    | Port Input Label                                    | ---              |
| 3    | Power Cable, 24V                                    | QCX-CABLE-24V-K2 |
| 4    | SSD Assembly Kit with Standard License              | QCX2-SSD-S-K     |
|      | M.2 SSD Card  | ---              |
|      | Screw, M3 x 5mm, Pan Head                           | ---              |
|      | Spacer, Unthreaded, 2.4mm High, 3mm I.D.            | ---              |
| 5    | Single Board Computer Kit (SBC)                     | QCX2-499-SBC-K   |
|      | Single Board Computer Board                         | ---              |
| *    | EMI Shielding, Foam                                 | ---              |
| 6    | DIO Connector Board                                 | QCX2-499-DIOBH   |
| 7    | Power Switch  | QCX-410-K2       |
| 8    | Cable Retention Bracket                             | QCX-366-C-K2     |
| 9    | USB Hub 4-Port Portable USB 2.0 with Built-in Cable | QCX-USB-HUB      |

| Item | Part Description             | Part Number    |
|------|------------------------------|----------------|
| 10   | QCX External Radio           | TA-VD1T-888-2C |
| *    | Mounting Bracket             | QCX-366-K2     |
| 11   | Bracket, Mounting Kit        | QC-A365-K2     |
|      | Bracket                      | ---            |
|      | Bracket Wall Mount           | ---            |
|      | Screw, M4 X 10, Pan Head     | ---            |
| 12   | Power Supply, 24V            | QCX-A24V-PS-K2 |
| 13   | Cord, US, Canada, and Mexico | QCX-CORD-US-K2 |
| 14   | Cord, EU                     | QCX-CORD-EU-K2 |
| 15   | Cord, UK                     | QCX-CORD-UK-K2 |
| 16   | Cord, China                  | QCX-CORD-CN-K2 |
| 17   | Cord, India                  | QCX-CORD-IN-K2 |
| 18   | Cord, Brazil                 | QCX-CORD-BR-K2 |

\* Indicates not illustrated.

### INSIGHT<sub>qc</sub>, Cordless Tool Controller Accessories (Optional) - Drawing



(Dwg. 47649556-2)

47649556\_ed7

---

## INSIGHTqcx, Cordless Tool Controller Accessories (Optional) - Parts List

---

| Item | Part Description                        | Part Number (CCN)        |
|------|---|--------------------------|
| 1    | USB Tower Light                         | QC-TL-4 (47601629)       |
| 2    | Serial Interface Adapter                | QC-ADPT-1 (47601630)     |
| 3    | Digital IO Box, 8 Channel (includes 3A) | QC-DIO-8CH (47617332)    |
| 3A   | DIO Box Mounting Bracket Kit            | QC-DIO-366-K (47628739)  |
| 4    | Bar Code Scanner (1D and 2D)            | QC-BC-SCAN-1 (47625754)  |
| 5    | Bar Code Scanner (1D)                   | QC-BC-SCAN-2 (47625755)  |
| 6    | Bar Code Scanner, Wireless (1D)         | QC-BC-SCAN-WL (47625756) |

---

### Parts and Maintenance

When tool life has expired, it is recommended that the tool be disassembled, degreased and parts separated by material for proper recycling.

Tool repair and maintenance should only be carried out by an Authorized Service Center.

Refer all communications to the nearest **Ingersoll Rand** office or distributor.

---

### Related Documentation

Manuals can be downloaded from [ingersollrand.com](http://ingersollrand.com)

For additional information, refer to:

Product Safety Information Manual 24074205

Product Information Manual 47649557

**Notes:**

---

---

**Notes:**

**Notes:**

---

[ingersollrand.com](https://www.ingersollrand.com)

© 2024 *Ingersoll Rand*

