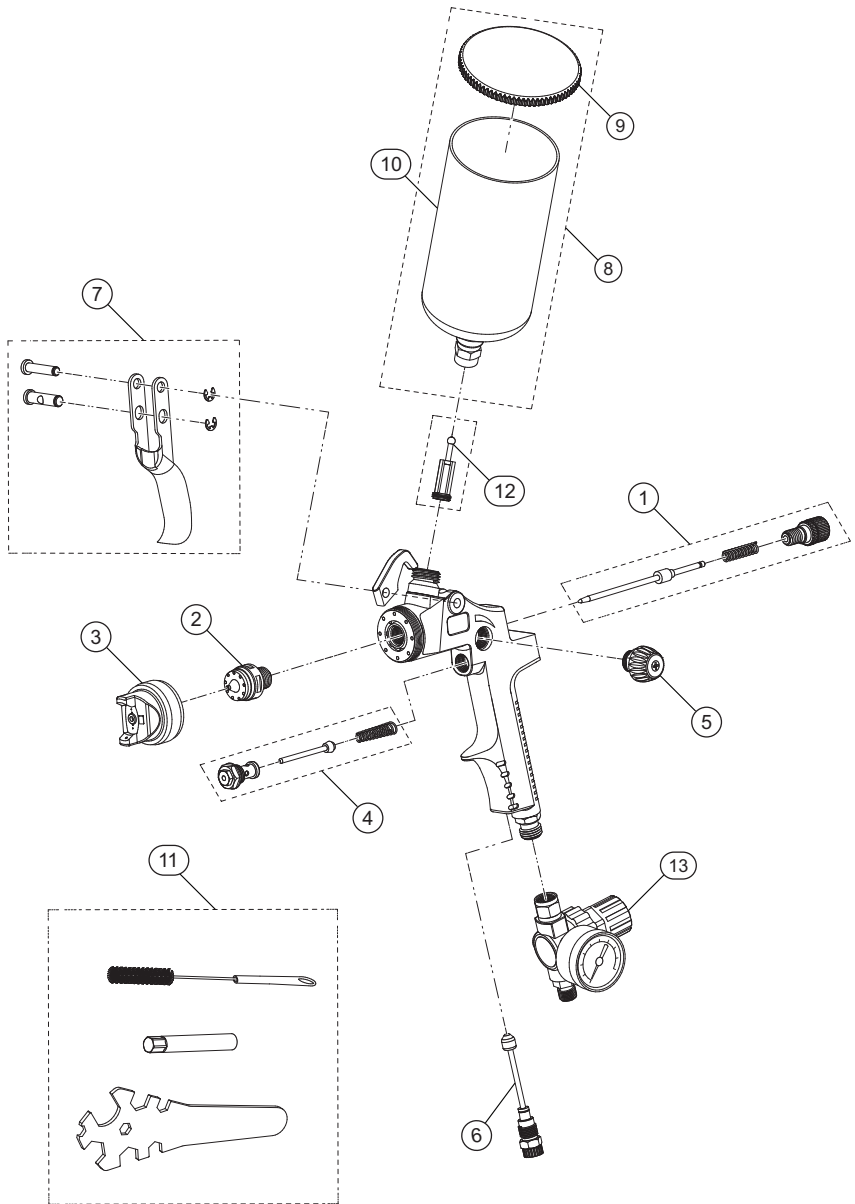


270G, Paint Sprayer - Exploded View



(Dwg. TP2144)



270G, Paint Sprayer - Parts List

Item	Part Description	Part Number	Item	Part Description	Part Number
1	Fluid Needle Kit	270G-K20	8	Cup Kit	270G-85
2	Fluid Nozzle	270G-30	9	Cup Lid	---
3	Air Cap	270G-40	10	Cup	---
4	Valve Kit	210G-K50	11	Accessories Kit	210G-200
5	Pattern Controller	210G-60	12	Filter	200G-1727
6	Air Controller	210G-70	13	Regulator	270G-9637
7	Trigger Kit	210G-K80			

Parts and Maintenance

When tool life has expired, it is recommended that the tool be disassembled, degreased and parts separated by material for proper recycling.

Tool repair and maintenance should only be carried out by an Authorized Service Center.

Refer all communications to the nearest **Ingersoll Rand** office or distributor.

Related Documentation

Manuals can be downloaded from ingersollrand.com

For additional information, refer to:

Product Safety Information Manual 16576563

Product Information Manual 47083068

Maintenance Information Manual 16577645