



**04581336**  
Edition 4  
November 2009

# Fixtured In-Line DC Electric Nutrunner

QM7 Series

---

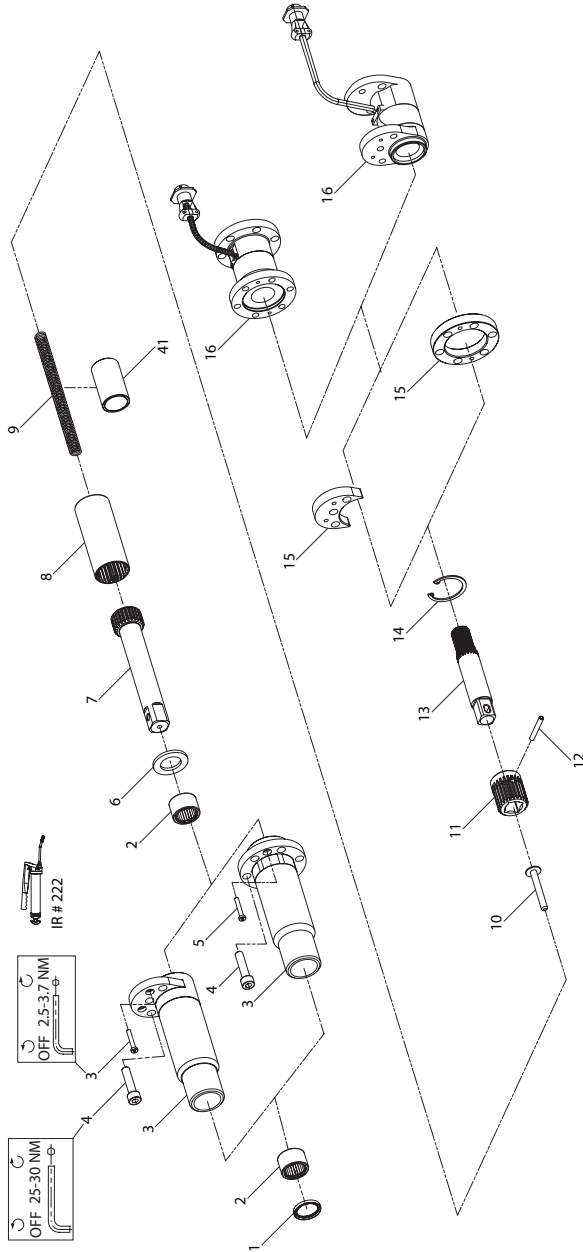
## Parts Information



Save These Instructions

 **Ingersoll Rand**

# QM7 Spindle/Transducer Assembly Exploded Diagram

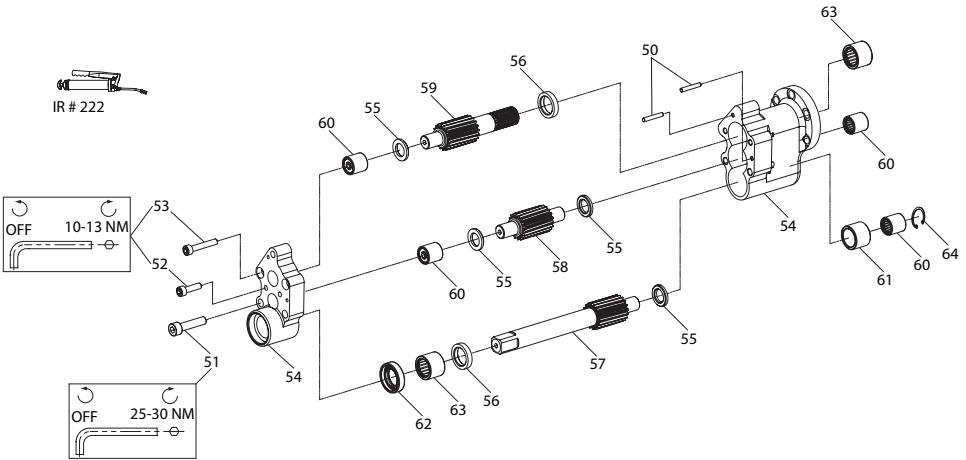


(Dwg. 16576019-3)

## QM7 Spindle/Transducer Parts List

Item	Part Description	Part Number	
		QM7S{ }	QM7Z{ }
	Housing Assembly (does not include items 7 and 9)	EE7-A580	EE7-A580Z
1	Seal	EE7-272	EE7-272
2	Needle Bearing (2)	EE7-606	EE7-606
3	Housing	EE7-580	EE7-580Z
4	Screw M8X1.25X35	EE7-756-68 (4 required)	EE7-756-68 (3 required)
5	Screw M4X0.7X25 (2)	EE7-767-68	EE7-767-68
6	Washer	EE7-105	EE7-105
7	Spindle		
	for QM7...62S08	EE7S8-586-S	EE7S8-586-S
	for QM7...92S08	EE7S8-586-M	EE7S8-586-M
	for QM7...22S08	EE7S8-586-L	EE7S8-586-L
	for QM7...62S12	EE7S12-586-S	EE7S12-586-S
	for QM7...92S12	EE7S12-586-M	EE7S12-586-M
	for QM7...22S12	EE7S12-586-L	EE7S12-586-L
8	Coupler	EE7-581	EE7-581
9	Spring		
	for QM7...H...(Spring, Heavy)	EE7-626	EE7-626
	for QM7...L...(Spring, Light)	EE7-626-L	EE7-626-L
9A	Spindle Lock	EE7-LOCK	EE7-LOCK
10	Pin	EE7-56	EE7-56
11	Driver	EE7-584	EE7-584
12	Pin	EE7-15 (1 required)	EE7-15Z (2 required)
13	Tas Spindle	EE7-585	---
14	Retainer	EE7-20	---
15	Plate Spacer	EE7-767	EE7-767Z
16	Transducer Assembly	EE7-A756-220	EE7-A756-220Z

## Offset Gearbox Exploded Diagram



(Dwg. 10564367)

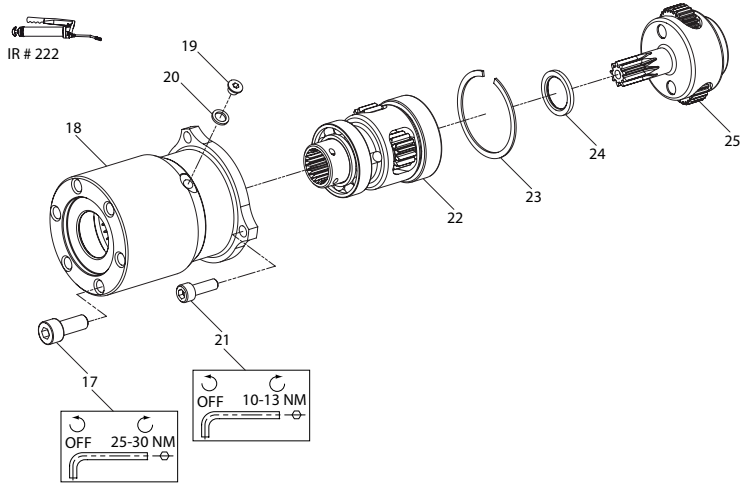
## Offset Gearbox Parts List

These parts are available only for QM7Z{ } models.

Item	Part Description	Part Number	Item	Part Description	Part Number
*	Offset Gear Case Assembly	EE7-A237	57	Output Gear	EE7-758
50	Dowel Pin (2)	280-265M	58	Intermediate Gear	EE7-757
51	Screw M8x1.25x35 (2)	EE7-756-68	59	Input Gear	EE7-756
52	Socket Head Cap Screw (2)	EE7-237-68	60	Needle Bearing (4)	D3850-143
53	Socket Head Cap Screw (2)	EE7-7	61	Inner Ring	D3850-676
54	Offset Gear Case (Sold only as matched set)	EE7-137	62	Seal	D3850-271
55	Thrust Washer (4)	EE7-118	63	Needle Bearing (2)	D01-363A
56	Thrust Washer (2)	EE7-212	64	Retaining Ring	EE7-426

\* Not Illustrated.

## QM7 Gearing Assembly Exploded Diagram

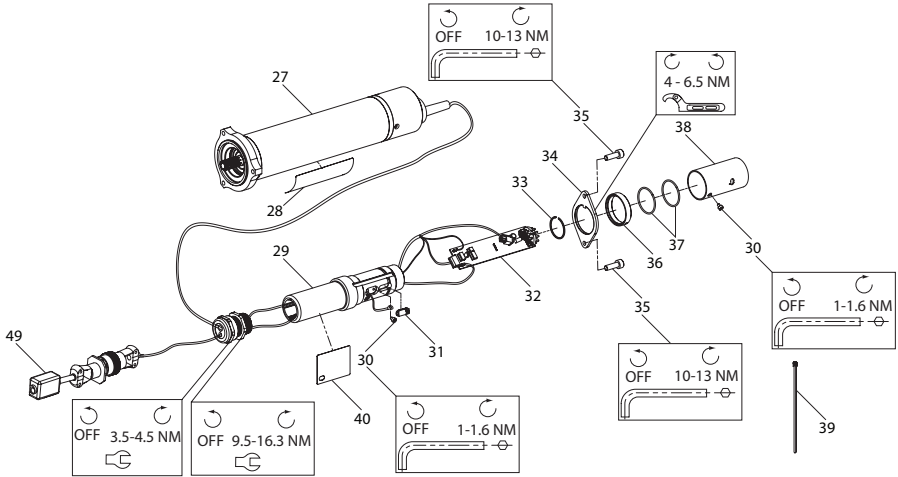


(Dwg. 16576027)

## QM7 Gearing Assembly Parts List

Item	Part Description	Part Number		
		QM7S{}190{}	QM7S{}220{}	QM7Z{}150{}
	Gear Case Assembly	EE7-M37-29P4	EE7-M37-34P4	EE7-M37-29P4
17	Screw M8X1.25X20	EE7-37-68 (6 required)	EE7-37-68 (6 required)	EE7-37-68 (5 required)
18	Gear Case	VDA-723	VDA-723	VDA-723
19	Plug	R00A-95	R00A-95	R00A-95
20	Washer	R3-92A	R3-92A	R3-92A
21	Screw M6X1X18 (3)	EE7-53-68	EE7-53-68	EE7-53-68
22	Spindle Assembly	ET3803Q-A8	ET3803R-A8	ET3803R-A8
	Pin	---	----	---
	Bearing	---	----	---
	Roller	---	----	---
	Retainer	---	----	---
	Gear	---	----	---
	Shaft	---	----	---
	Spindle	---	----	---
23	Spacer	FMC2-280	FMC2-280	FMC2-280
24	Spacer	R38P-80	R38P-80	R38P-80
25	Gear Head Assembly	ET3803Q-A216	ET3803R-A216	ET3803R-A216
	Bearing	---	----	---
	Shaft	---	----	---
	Bearing	---	----	---
	Gear Head	---	----	---

## QM7 Motor/Electronics Pod Exploded Diagram



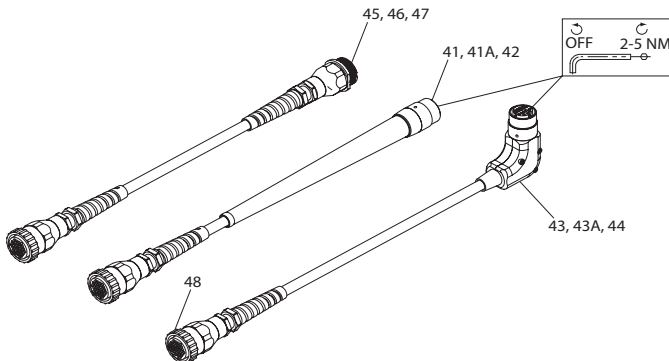
(Dwg. 16576035-2)

## QM7 Motor/Electronics Pod Parts List

Item	Part Description	Part Number	Item	Part Description	Part Number
27	Motor Assembly	EE7-D53	† 31	Memory Chip Assembly	TRP-A528
28	Warning Label	EE3-99	32	Communication Board	GEA15-A2309
	Strain Relief	EE9-445	33	Clip	GEA40-2309-104
	Cable Clamp	EE9-960-9	34	Flange	EE9-2309-767
	Cable Assembly	EE5-A240	35	Screw M6X1X18 (2)	EE7-53-68
	Screw (Back Cap)	EE9-231-68	36	Nut	EE9-2309-27
	Screw (Strain Relief)	EE9-531-68	37	O-Ring (2)	GEA40-801
	Back Cap	EE7-231	38	Cover	EE9-2309-202
	Electronics Module	---	39	Cable Tie	EE9-200
29	Housing	EE9-2309-40	40	Logo Label	EE3-99A
30	Screw M3X0.5X4 (2)	EE9-2309-68	49	Clip on Ferrite	EE5-35A-1

† Optional Part. Order O-Rings GEA40-801 with memory chip.

## QM Accessories



(Dwg. 80149982)

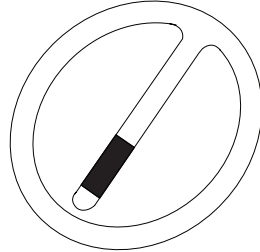
## QM Accessories Parts List

Item	Part Description	Part Number	Item	Part Description	Part Number
41	Power Cord Assembly (3 Meter)	GEA40-CORD-3M	45	Power Cord Extension Assembly (10 Meter)	GEA40-EXT-10M
41A	Power Cord Assembly (6 Meter)	GEA40-CORD-6M	46	Power Cord Extension Assembly (20 Meter)	GEA40-EXT-20M
42	Power Cord Assembly (10 Meter)	GEA40-CORD-10M	47	Power Cord Extension Assembly (40 Meter)	GEA40-EXT-40M
43	Power Cord Assembly, 90 Deg. (3 Meter)	GEA40-CORD-3M-90	48	Connector Ring	GEA40-26F-12
43A	Power Cord Assembly, 90 Deg (6 Meter)	GEA40-CORD-6M-90	*	IR# 222 Grease (1 lb.) (0.45 kg.)	EE9-222-1LB
44	Power Cord Assembly, 90 Deg. (10 Meter)	GEA40-CORD-10M-90			

\* Not Illustrated.

## Socket Retainers (One Piece)

Part Number	Drive Size	Inside Diameter	Pin Size
	in. (mm)	in. (mm)	in. (mm)
RR10004	1/2 (12.7)	0.800 (20.3)	0.130 (3.3)
RR10005	1/2 (12.7)	0.870 (22.1)	0.130 (3.3)
RR10007	1/2 (12.7)	0.950 (24.1)	0.130 (3.3)
RR10008	1/2 (12.7)	1.150 (29.2)	0.130 (3.3)
RR10009	1/2 (12.7)	1.300 (33.0)	0.130 (3.3)
RR10010	1/2 (12.7)	1.450 (36.8)	0.130 (3.3)
RR10014	1/2 (12.7)	1.050 (26.7)	0.130 (3.3)
RR10005S	3/4 (19.05)	1.25 (31.75)	0.187 (4.75)
RR10032S	3/4 (19.05)	1.438 (36.51)	0.187 (4.75)
RR10034S	3/4 (19.05)	1.625 (41.28)	0.187 (4.75)



## Packaging (Corrugated Box)

Packaging P/n	Description
B0X-EE9	Corrugated Box
B0X-30X	Foam

## Suggested Tools

Item	Tool Used	Description	Where Used?
1	Pin Spanner Wrench	3 mm or 1/8" pin	Cable, Electronics Pod Flange Nut
2	Torque Wrench	60 Nm Capacity	General Use
3	Adjustable Wrench	----	Electronics Pod Strain Relief
4	Metric Allen Key Set	2.5 - 8 mm	General Use
5	Internal Snap Ring Pliers	----	General Use
6	Pick	----	O-Rings, Retainers, etc.

## Parts and Maintenance

When the life of the tool has expired, it is recommended that the tool be disassembled, degreased and parts be separated by material so that they can be recycled.

Tool repair and maintenance should only be carried out by an authorized Service Center.

Refer all communications to the nearest **Ingersoll Rand** Office or Distributor.

## Related Documentation

For additional information refer to:

Product Safety Information Manual 16573693.

Product Information Manual 04581278.

Maintenance Information Manual 04581377.

Manuals can be downloaded from [www.ingersollrandproducts.com](http://www.ingersollrandproducts.com).

[www.ingersollrandproducts.com](http://www.ingersollrandproducts.com)

© 2009 **Ingersoll Rand** Company

