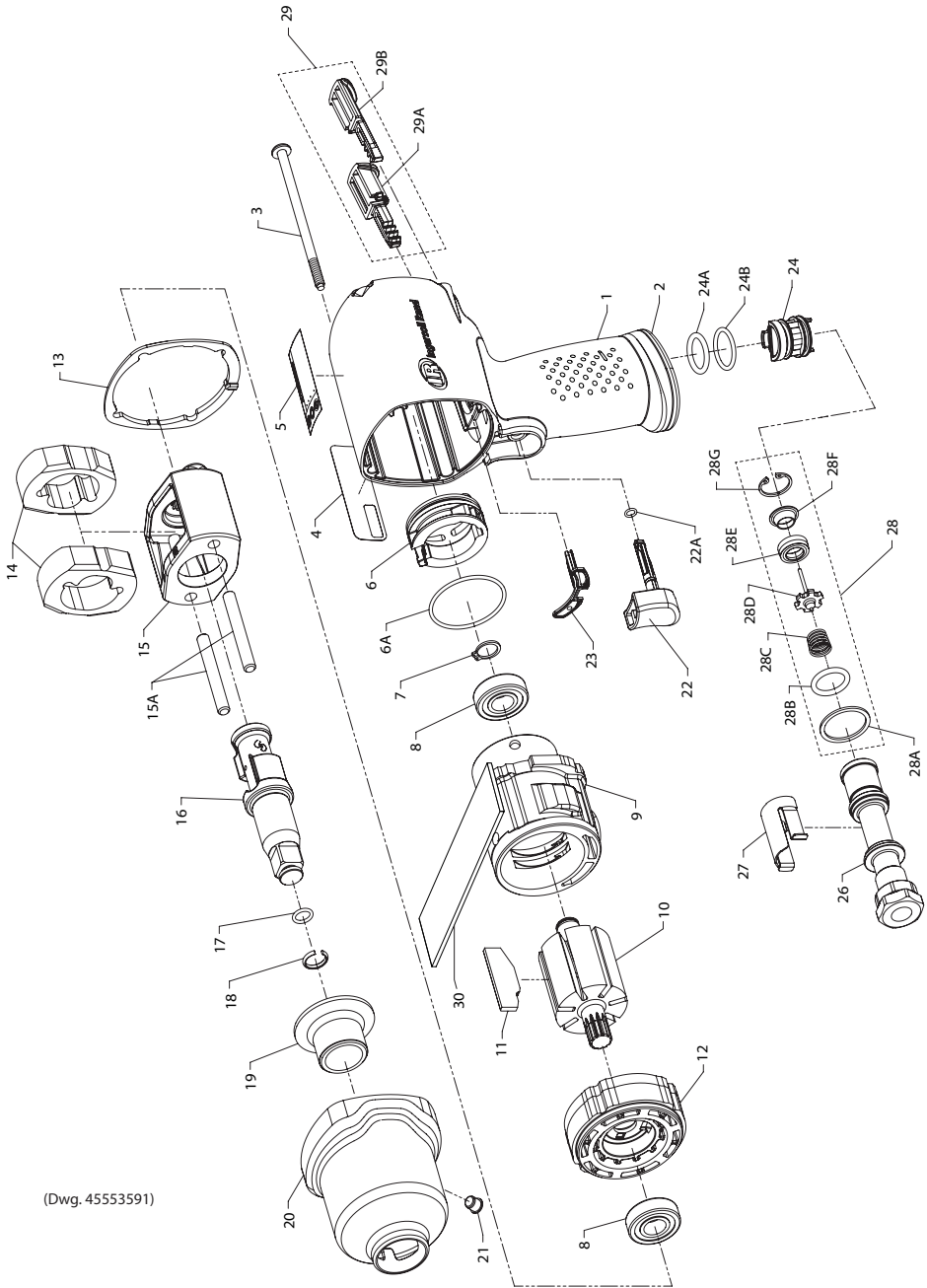


2135QXPA Series Air Impactool™ - Exploded View



(Dwg. 45553591)

2135QXPA Series Air Impactool™ - Parts List

Item	Part Description	Part Number	(CCN)
*	Housing Assembly		
	for model 2135QXPA	2135QXPA-A40	(47517917001)
	for model 2135QXPA-2	2135QXPA-2-A40	(47517918001)
	for model 2135PQXPA	2135PQXPA-A40	(47518814001)
1	Housing	---	---
2	Exhaust Deflector	---	---
4	Information Label	---	---
5	Warning Label	---	---
23	Gasket, Motor	---	---
*	Reverse Valve Assembly	---	---
29	Button Kit	---	---
3	Screw, Hammer Case (4 required)	2135-638	(80101686)
4	Information Label		
	for model 2135QXPA	2135QXPA-300	(47517923001)
	for model 2135QXPA-2	2135QXPA-2-300	(47517924001)
	for model 2135PQXPA	2135PQXPA-300	(47518812001)
5	Warning Label	WARNING-2-99	(04203139)
*	Power Regulator Assembly	2135-D249A	(45523628)
6	Power Regulator	---	---
6A	O-Ring, Power Regulator	---	---
7	Retaining Ring	2131-6	(04194809)
8	Ball Bearing (2 required)	2131-97	(04172813)
9	Cylinder	2135-3	(45526183)
10	Rotor	2135-53	(80100456)
† 11	Vane Pack (set of 7)	2135-42A-7	(04722211)
12	End Plate	2131-11	(04167581)
† 13	Hammer Case Gasket	2135-36	(80096381)
*	Hammer Kit		
	for models 2135QXPA	2135-THK1	(80119571)
	for models 2135QXPA-2	2135-2-THK1	(80119662)
	for model 2135PQXPA	2135PTI-THK1	(80122153)
13	Hammer Case Gasket	---	---
14	Hammer (2)	231XP-724	(04678249)
15A	Hammer Pin (2)	---	---
*	Anvil Assembly	---	---
*	Kit Grease	---	---
*	Hammer Frame Kit	2135-K703	(80119795)
15	Hammer Frame	---	---
15A	Hammer Pin (2)	---	---
*	Kit Grease	---	---
*	Anvil Assembly		
	for models 2135QXPA	231B-A626	(04646634)
	for models 2135QXPA-2	231B-A414	(04682167)
	for model 2135PQXPA	231B-A726	(04695656)
16	Anvil	---	---
*	Socket Retainer Kit	---	---
†	Socket Retainer Kit		
	for models 2135QXPA & 2135QXPA-2 (1/2" Ring-type) - Single piece	2125QTI-K425	(80107733)
	for models 2135QXPA & 2135QXPA-2 (1/2" Ring-type) - 10 PACK	2125QTI-K425-10	(47517616001)
	for model 2135PQXPA (1/2" Pin-type) - Single piece	2125PTI-K425	(80107725)
17	O-Ring or Socket Retainer Spring	---	---

* Indicates Not Illustrated.

† Indicates common-wear parts. Maintain stock to reduce downtime.

Parts and Maintenance

When tool life has expired, it is recommended that the tool be disassembled, degreased and parts separated by material for proper recycling. Tool repair and maintenance should only be carried out by an authorized Service Center.

Refer all communications to the nearest **Ingersoll Rand** office or distributor.

Related Documentation

Manuals can be downloaded from ingersollrandproducts.com

For additional information, refer to:
Product Safety Information Manual 04580916.
Product Information Manual 47517929.



ingersollrandproducts.com
© 2014 Ingersoll Rand

47517930
Edition 1
April 2014

Item	Part Description	Part Number	(CCN)
18	Socket Retainer	---	---
19	Bushing, Hammer Case	2135-941	(80092927)
*	Hammer Case Assembly	2135QI-D727A	(45522288)
19	Bushing, Hammer Case	---	---
20	Hammer Case	---	---
21	Grease Fitting	---	---
21	Grease Fitting	1305R-188	(03039930)
†	Trigger Assembly	2135-D93	(80096704)
22	Trigger	---	---
22A	O-Ring, Trigger	---	---
† 23	Gasket, Motor	2131-283	(04167623)
*	Reverse Valve Assembly	2131-A329	---
24	Reverse Valve	---	---
24A	O-Ring, Reverse Valve (Top-Black)	---	---
24B	O-Ring, Reverse Valve (Bottom-Blue)	---	---
*	Inlet Bushing Assembly	2135-D565A	(45531787)
26	Inlet Bushing	---	---
27	Inlet Clip	2131-57	(04167862)
28	Inlet Parts Kit	2135-K303	(45535051)
28A	Washer	---	---
28B	O-Ring, Seal	---	---
28C	Throttle Spring	---	---
28D	Throttle Valve	---	---
28E	Valve Seat	---	---
28F	Seat Support	---	---
28G	Retainer	---	---
29	Button Kit	2135-K75	(04722245)
29A	Forward Button	---	---
29B	Reverse Button	---	---
30	Silencer (for models 2135QXPA and 2135QXPA-2)	2131QT-311	(22040216)
*	Tune-Up Kit	2135-TK2	(45535028)
6A	O-Ring, Power Regulator	---	---
7	Retaining Ring	---	---
8	Ball Bearing (2)	---	---
11	Vane Pack (set of 7)	---	---
13	Hammer Case Gasket	---	---
17	O-Ring	---	---
18	Socket Retainer	---	---
22A	O-Ring, Trigger	---	---
23	Gasket, Motor	---	---
24A	O-Ring, Reverse Valve (Top-Black)	---	---
24B	O-Ring, Reverse Valve (Bottom-Blue)	---	---
28	Inlet Parts Kit	---	---
*	Inlet Clip Removal Tool	2131-322	(04263745)
†	Air Care Kit (grease gun, grease, oil)	115-LBK1	(04616108)
*	Grease (replacement tube for -LBK1)	115-4T	(04616157)
*	Air Tool Oil (4 oz. bottle)	1024	(03875671)
*	Grease (1 lb can)	105-1LB	(04279147)
*	Grease (8 lb can)	105-8LB	(04264875)
*	Grease Gun	R000A2-228	(03095015)
*	Protective Tool Boot	2135M-Boot	(45545977)