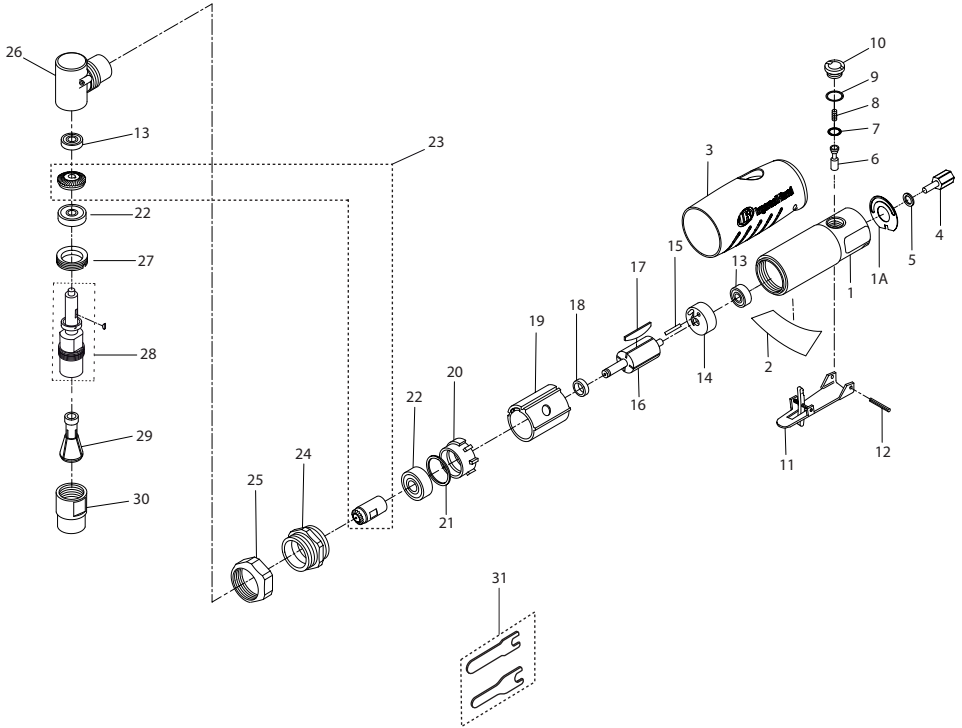


3101G Air Die Grinder - Exploded View



(Dwg. TP2152)

3101G Air Die Grinder - Parts List

Item	Part Description	Part Number	Item	Part Description	Part Number
1	Housing Assembly	3101-A40	16	Rotor	301-53
1A	Gasket	3102-283	17	Vane Set	301-42-4
2	Label	3101G-301A	18	Spacer	301-448
3	Sleeve	3101-747	19	Cylinder	3101-3
4	Inlet Bushing Assembly	3102-565	20	Front End Plate Assembly	301-A11
5	Inlet O-Ring	301-251	21	Gasket	3101G-36
6	Throttle Valve	3102-302	22	Ball Bearing	301-24
7	Valve O-Ring	301-159	23	Gear Pinion Set	3102-A552-1.25
8	Valve Spring	3102-51	24	Clamp Nut	3102-306
9	Valve Cap O-Ring	301-206	25	Nut	301-27
10	Valve Cap	3102-266	26	Elbow Assembly	301-A550
11	Lever Assembly	3101-A400	27	Cap	301-531
12	Spring Pin	3101G-504	28	Arbor Kit	301-K591A
13	Ball Bearing	301-22	29	Collet	301-700
14	Rear End Plate	3101-12	30	Collet Nut	301-699
15	Spring Pin	3101G-504A	31	Wrench Kit	301-69

Parts and Maintenance

When tool life has expired, it is recommended that the tool be disassembled, degreased and parts separated by material for proper recycling.

Tool repair and maintenance should only be carried out by an authorized Service Center.

Refer all communications to the nearest **Ingersoll Rand** office or distributor.

Related Documentation

Manuals can be downloaded from ingersollrand.com

For additional information, refer to:

Product Safety Information Manual 04580288.

Product Information Manual 80168610.