



48420566
Edition 2
October 2013

Air Sander

M2 Series

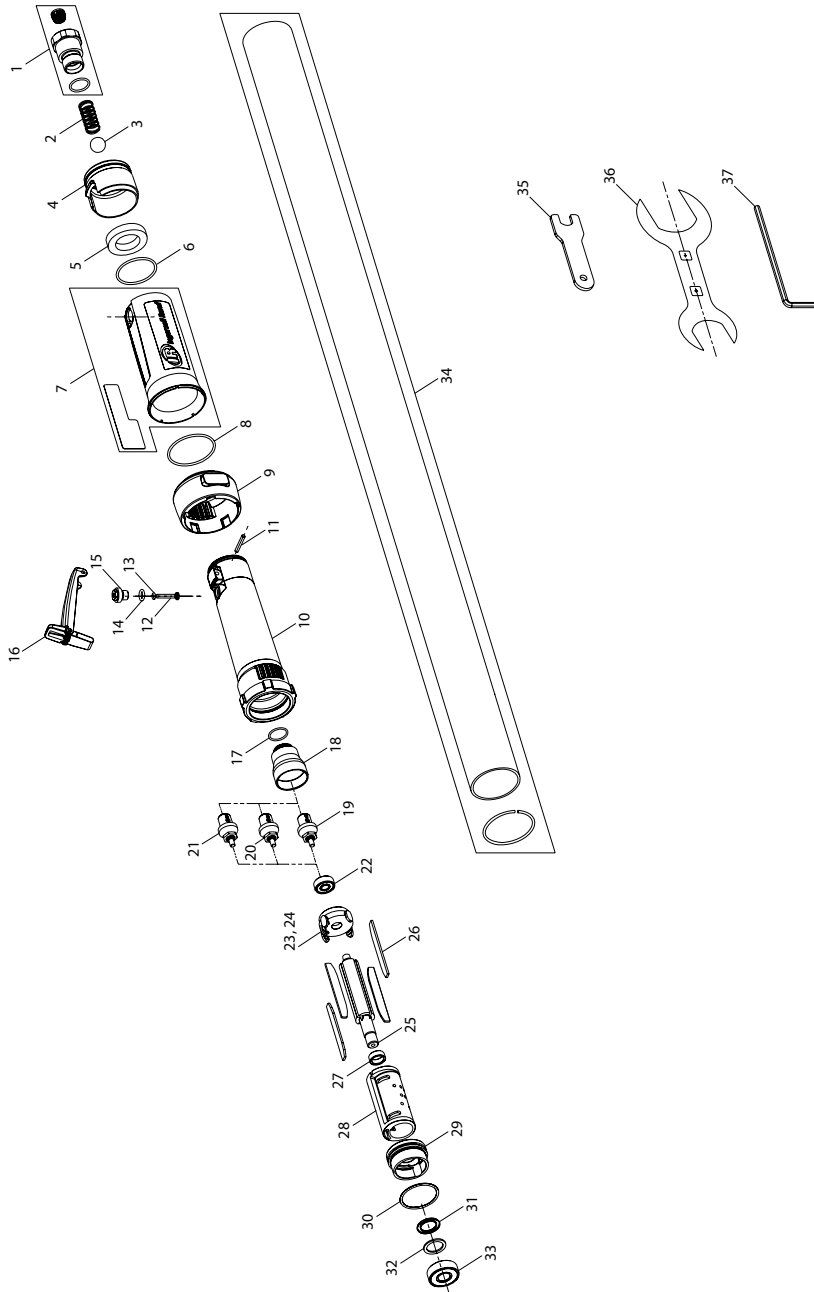
Parts Information



Save These Instructions

 **Ingersoll Rand®**

M2 Sander - Exploded View (Motor & Motor Housing)



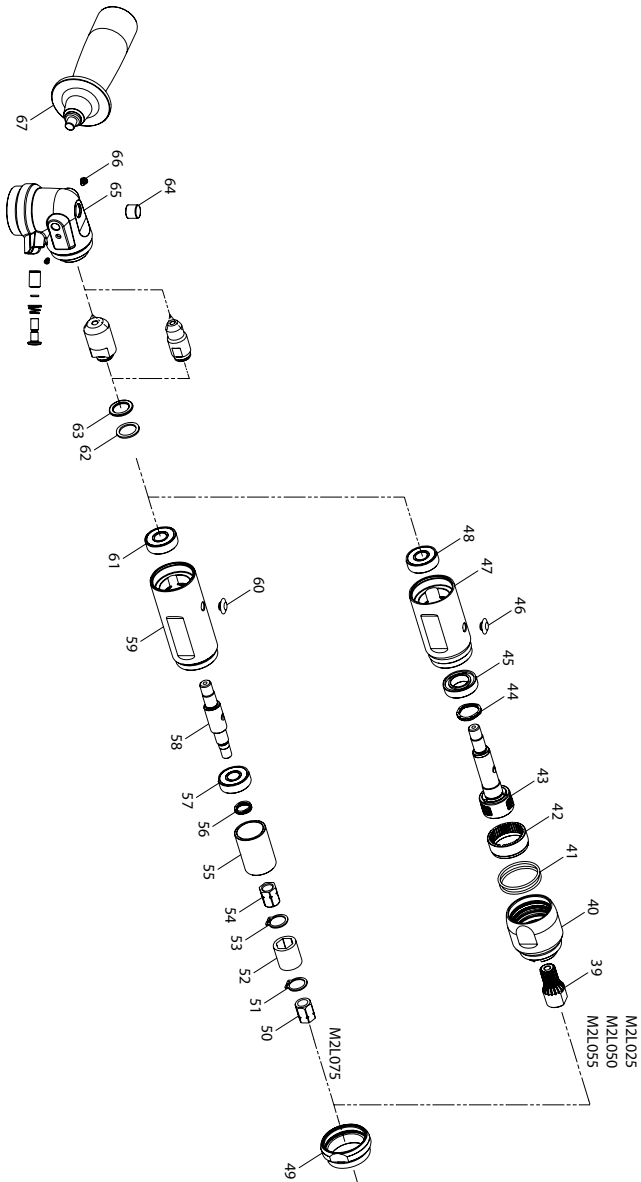
(Dwg. 47506260)

Motor & Motor Housing Parts for all M2 Series Sanders

Item	Part Description	Part Number	Item	Part Description	Part Number
1	Inlet Bushing Assembly	HG2-A465	22	Bearing	HG2-127A
	Inlet Bushing	---	23	Rear End Plate	HG2-12
	Inlet Screen	R1602-61	24	Pin	Y178-211
	Inlet O-ring	48410609	25	Rotor	HG2-53-4
2	Spring	MG1-51	26	Vane Pack (Set of 4)	HG2-42-4
3	Ball	D10-280	27	Rotor Spacer	LG2-65
4	Rear Exhaust Diffuser	HG2-123	28	Cylinder	HG2-3A
5	Rear Muffler	HG2-311R	29	Front End Plate	HG2-11
6	O-ring	Y325-26	30	O-Ring	Y325-25
7	Sleeve and Label Assembly	HG2-A747	31	Felt Wiper Cup	61H-32
	Sleeve	---	32	Felt Wiper	HG2-33
	Model Label	HG2-300	33	Bearing	HG2-24
8	O-ring	Y325-29	34	Piped Away exhaust kit	HG2-K284
9	Front Housing Cap	HG2-202C		Exhaust hose	---
10	Motor Housing Assembly	HG2-A40		Retaining ring	---
11	Pin	HG2-120	35	Wrench (11 mm, for controller assembly)	301-69A
12	Throttle Pin	HG2-161	36	Wrench (38 mm, for clamp nut)	LA2-253
13	O-ring	45635125	37	Hex key (4 mm, for retention screw)	AG2-562
14	O-ring	Y325-10	†	M2L075 Tune up kit includes items (2, 3, 5, 6, 8, 11, 13, 14, 17, 22, 26, 30, 31, 32, 33, 46, 51, 53, 56, 60, 61, 62, 63, 64, 71, 72, 75, 76, 79, 84)	HG2-STKL075
15	Throttle Pin Bushing	HG2-781			
16	Lever Assembly	HG2-A400			
	Lever	---			
	Lever Lock	---			
	Spring	---	†	M2L Tune up kit includes items (2, 3, 5, 6, 8, 11, 13, 14, 17, 22, 26, 30, 31, 32, 33, 41, 44, 45, 46, 48, 62, 63, 64, 70, 75, 79, 84)	HG2-STKL
	Pin	---			
			†	Service Tool Kit (35, 36, 37)	HG2-STK
17	O-ring	47112487			
18	Nozzle	HG2-19			
19	Controller Assembly (18,000 RPM) M2L040 & M2L075 models	HG2-A424-18K			
20	Controller Assembly (20,000 RPM) M2L025 models	HG2-A424-20K			
21	Controller Assembly (25,000 RPM) M2L055 models	HG2-A424-25K			

† To keep downtime to a minimum, it is desirable to keep at least one of each kit for every four tools in service

Extension Parts for M2 Sander - Exploded View (Straight Parts)



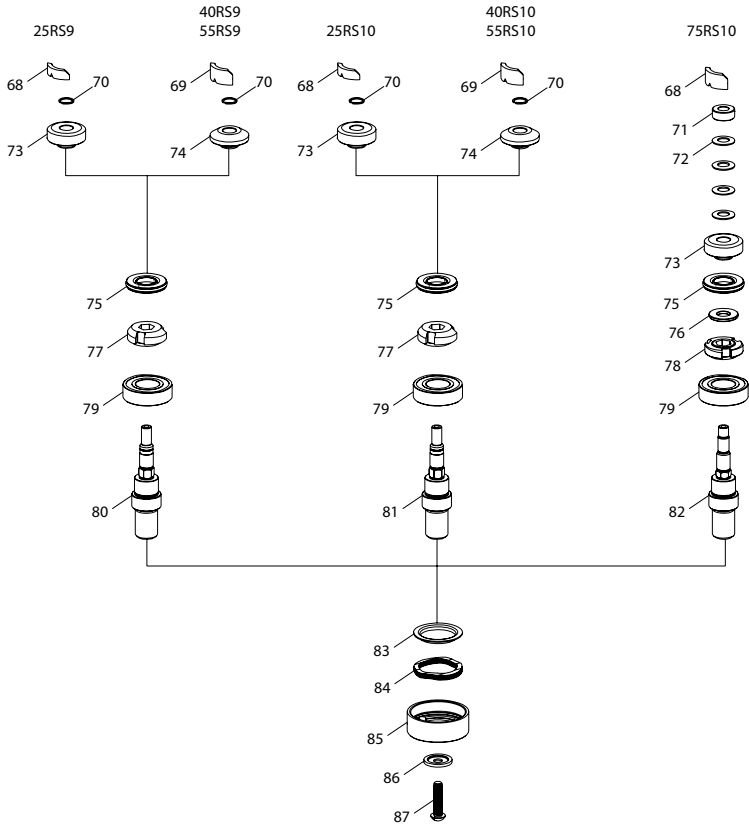
(Dwg. 47506261)

Extension Parts for M2 Series Sanders - Parts List (Straight Parts)

Item	Part Description	Part Number	Item	Part Description	Part Number
M2L025, M2L040, M2L055			56	Wave Spring	HG2-250E
39	Pinion, 18 teeth	HG2-17	57	Bearing	HG2-24
40	Gear Case Assembly	HG2-A37	58	Arbor, Angle Extension	HG2-4AX
	Gear Case	---	59	Housing, Angle Extension	HG2-20AX
	Grease Fitting	D0F9-879	60	Access hole plug	EG220-92
	Pin	Y178-211	61	Bearing	HG2-24
41	O-ring (2)	Y325-26	ALL		
42	Ring Gear	HG2-406	62	Felt Wiper	HG2-33
43	Planetary Gear Assembly	HG2-A216	63	Felt Wiper Cup	61H-32
44	Wave Spring	HG2-250P	64	Bearing, Needle	MG1-693
45	Bearing	QA4-114803	65	Angle Head Assembly	HG2-A550
46	Access hole plug	EG220-92		Bearing	MG1-693
47	Housing, Extension Planetary	HG2-20PX1		Angle Housing	---
48	Bearing	HG2-24		Grease Fitting	---
*	IR # 67 Planetary gear grease (4 oz packet) Note: Do not use in angle head	67-4T		Locking Pin	---
M2L075				O-ring	---
49	Clamp Nut	HG2-27		Spring, conical	---
50	Bearing Nut	LE2-85		Bushing	---
51	Retaining Ring	RX3-729		Warning Label, Heat	VT22-99
52	Arbor Coupling	LE2-304		Seal Screw	47500512001
53	Retaining Ring	RX3-729	66	Seal Screw	47500512001
54	Bearing Nut	HG2-85	67	Handle	HG2-48
55	Clamp Sleeve	HG2-276			

* Not illustrated

M2 Sander - Exploded View (Angle Head Parts)



(Dwg. 47506262)

Angle Head Parts for M2 Series Sanders

Item	Part Description	Part Number	Item	Part Description	Part Number
68	Wick M2L075 & M2L025 models	HG2-561-2.4	78	Spindle Lock Hub M2L075	HG2-108A
69	Wick M2L040 & M2L055 models	HG2-561-1.3	79	Bearing	HG2-105A
			80	Arbor, Sander M14	HG2-4-S9
70	Ring, retaining	48378715	81	Arbor, Sander 5/8" - 11	HG2-4A-S10
71	Arbor Collar	47501508001			
72	Belleville Spring (4)	47501506001	82	Arbor, Sander 5/8" - 11 M2L075	HG2-4-S10
73	Bevel Pinion Assembly M2L075 & M2L025 models	HG2-A552-2.4	83	Spring Guide	HG2-119
			84	Spring, Wave	HG2-250B
74	Bevel Pinion Assembly M2L040 & M2L055 models	HG2-A552-1.3	85	Bearing Retainer	HG2-531
			86	Flange Nut Washer	LG2-218
75	Rotory Seal	HG2-223	87	Retention Screw	47502560001
76	Thrust Washer	HG2-317	*	IR # 22 Angle Head Grease (20 cc packet)	77A-EPO
77	Spindle Lock Hub	HG2-108			

* Not illustrated

Parts and Maintenance

When the life of the tool has expired, it is recommended that the tool be disassembled, degreased and parts be separated by material so that they can be recycled.

Tool repair and maintenance should only be carried out by an authorized Service Center.

Refer all communications to the nearest **Ingersoll Rand** Office or Distributor.

Related Documentation

For additional information refer to:

Air Sander Product Safety Information Manual 04580387

Air Sander Product Information Manual 48420533

Manuals can be downloaded from ingersollrandproducts.com.

ingersollrandproducts.com

© 2013 Ingersoll-Rand

