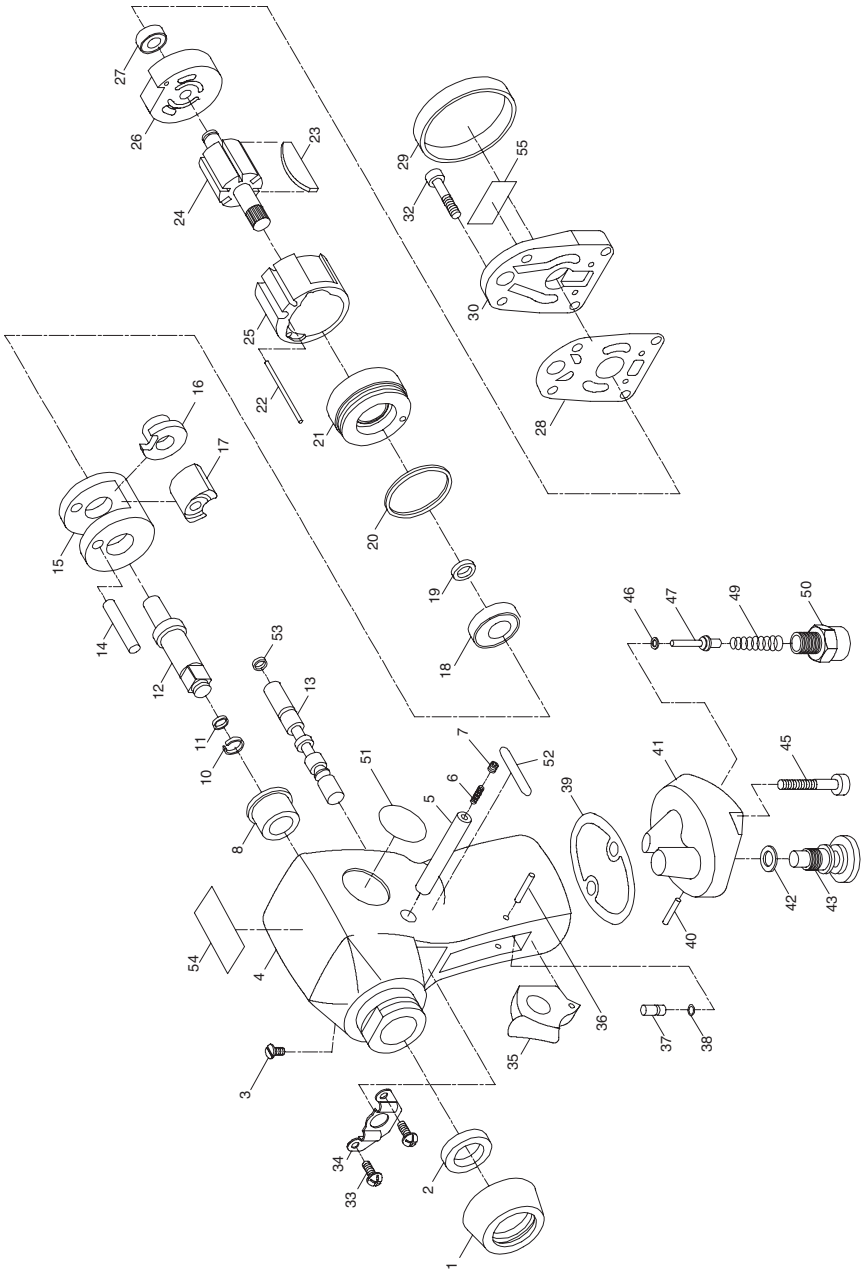


LA158 Air Impact Wrench Exploded Diagram



(Dwg. TP1952)

LA158 Air Impact Wrench Parts List

Item	Part Description	Part Number	Item	Part Description	Part Number
	Motor Housing	LA158-40		Valve & Hose Adapter Kit	LA158-RK4
4	Housing	---	39	Gasket	---
51	Label	LA158-300	40	Pin	---
52	Label	LA158-302	41	Valve Block	---
54	Warning Label	Warning-27-99	42	O-Ring	---
55	Nameplate	LA158-301	43	Regulator Valve	---
	Impact Mechanism Kit	LA158-RK1	45	Set Screw (2)	---
8	Housing Bushing	---	46	O-Ring	---
10	Socket Retaining Ring	---	47	Throttle Valve	---
11	O-Ring	---	49	Spring	---
12	Anvil	---	50	Hose Adapter	---
13	Reverse Valve	---		Trigger & Reverse Valve Kit	LA158-RK5
14	Hammer Cage Pin	---	2	Oil Seal	---
15	Hammer Cage	---	3	Oil Plug Screw	---
16	Cam	---	4	Motor Housing	---
17	Hammer Dog	---	5	Reverse Valve Pin	---
53	O-Ring	---	6	Spring	---
	Motor Kit	LA158-RK2	7	Set Screw	---
18	Ball Bearing	---	33	Screw (2)	---
19	Oil Seal	---	34	Exhaust Cover	---
20	O-Ring	---	35	Throttle Lever	---
21	Front End Plate	---	36	Pin	---
22	Motor Pin	---	37	Push Pin	---
23	Rotor Blade (6)	---	38	O-Ring	---
24	Rotor	---		Rotor Blade Kit	LA158-RK6
25	Cylinder	---	24	Rotor Blade (6)	---
26	Rear End Plate	---			
27	Ball Bearing	---			
	Housing Cap Kit	LA158-RK3			
1	Rubber Nose Guard	---			
28	Gasket	---			
29	Housing Band	---			
30	Housing Cap	---			
32	Set Screw (4)	---			

Parts and Maintenance

When the life of the tool has expired, it is recommended that the tool be disassembled, degreased and parts be separated by material so that they can be recycled.

Tool repair and maintenance should only be carried out by an authorized Service Center.
Refer all communications to the nearest **Ingersoll-Rand** Office or Distributor.

Related Documentation

For additional information refer to:
Air Impact Wrench Product Safety Information Manual 04580916,
Air Impact Wrench Product Information Manual 04584884.

Manuals can be downloaded from www.irtools.com.