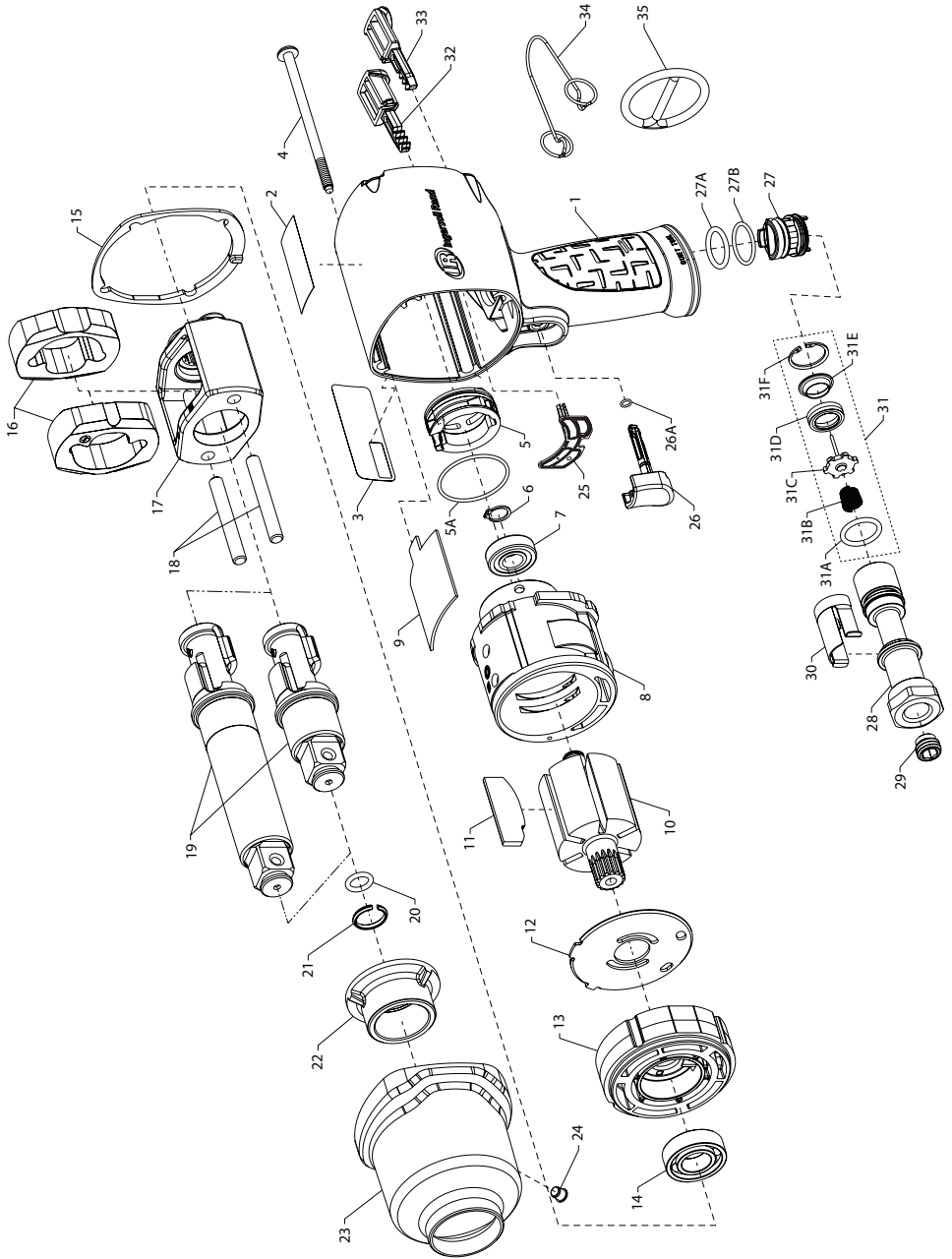


2145QiMAX and 2155QiMAX Series Air Impactool™ - Exploded View



(Dwg. 47106281)



2145QiMAX and 2155QiMAX Series Air Impactool™ - Parts List

Item	Part Description	Part Number	Item	Part Description	Part Number
	Housing Assembly		22	Bushing, Hammer Case	
	for model 2145QiMAX	2145QiMAX-A40		for models 2145QiMAX, 2145QiMAX-A, 2145QiMAX-3, 2155QiMAX, 2155QiMAX-A	2145-641
	for model 2145QiMAX-A	2145QiMAX-A-A40		for model 2145QiMAX-6	2145-6-641
	for model 2145QiMAX-3	2145QiMAX-3-A40		Hammer Case Assembly	
	for model 2145QiMAX-6	2145QiMAX-6-A40		for models 2145QiMAX, 2145QiMAX-A, 2145QiMAX-3, 2155QiMAX, 2155QiMAX-A	2145-D727
	for model 2155QiMAX	2155QiMAX-A40		for model 2145QiMAX-6	2145-6-D727
	for model 2155QiMAX-A	2155QiMAX-A-A40			
1	Housing	---	22	Bushing, Hammer Case	---
2	Warning Label	---	23	Hammer Case	---
3	Information Label	---	24	Grease Fitting	130SR-188
25	Gasket, Motor	---	† 25	Gasket, Motor	2141-283
	Reverse Valve Assembly	---	†	Trigger Assembly	2145-D93BK
	Button Kit	---	26	Trigger	---
2	Warning Label	WARNING-2-99	26A	O-Ring, Trigger	---
3	Information Label			Reverse Valve Assembly	2141-A329
	for model 2145QiMAX	2145QiMAX-300	27	Reverse Valve	---
	for model 2145QiMAX-A	2145QiMAX-A-300	27A	O-Ring, Reverse Valve (Top-Black)	---
	for model 2145QiMAX-3	2145QiMAX-3-300	27B	O-Ring, Reverse Valve (Bottom-Blue)	---
	for model 2145QiMAX-6	2145QiMAX-6-300		Inlet Bushing Assembly	2145-D565
	for model 2155QiMAX	2155QiMAX-300		Inlet Bushing	---
	for model 2155QiMAX-A	2155QiMAX-A-300	† 29	Inlet Pre-Screen	2145-61A
4	Screw, Hammer Case (4 required)	2141-638	30	Inlet Clip	2141-57
	Power Regulator Assembly	2135-D249A	31	Inlet Parts Kit	2141-K303
5	Power Regulator	---	31A	O-Ring, Seal	---
5A	O-Ring, Power Regulator	---	31B	Throttle Spring	---
6	Retaining Ring	2131-6	31C	Throttle Valve	---
7	Ball Bearing (Cylinder)	2131-97	31D	Valve Seat	---
8	Cylinder	2141-3	31E	Seat Support	---
9	Silencer	2145Q-311	31F	Retainer	---
10	Rotor	2145-53		Button Kit	2145-K75RD
† 11	Vane Pack (set of 7)	2145-42-7	32	Forward Button	---
12	Wear Plate	2145-11X	33	Reverse Button	---
13	End Plate	2145-11		Tune-Up Kit	2145-TK2
14	Ball Bearing (End Plate)	R38P-606	5A	O-Ring, Power Regulator	---
† 15	Hammer Case Gasket	2145-36RD	6	Retaining Ring	---
	Hammer Mechanism Kit	2145-THK2	7	Ball Bearing (Cylinder)	---
16	Hammer (2)	---	11	Vane Pack (set of 7)	---
17	Hammer Frame	---	14	Ball Bearing (End Plate)	---
18	Hammer Pin (2)	---	15	Hammer Case Gasket	---
	Anvil Assembly		25	Gasket, Motor	---
	for models 2145QiMAX, 2145QiMAX-A	2145-A626	26A	O-Ring, Trigger	---
	for model 2145QiMAX-3	2145-A626-3	27A	O-Ring, Reverse Valve (Top-Black)	---
	for model 2145QiMAX-6	2145-A626-6	27B	O-Ring, Reverse Valve (Bottom-Blue)	---
	for models 2155QiMAX and 2155QiMAX-A	2155-A626	31	Inlet Parts Kit	---
19	Anvil	---	34	Inlet Clip Removal Tool	2131-322
	Socket Retainer Kit	---	35	Socket Retention Ring (3/4" Anvil)	RR100345
†	Socket Retainer Kit		35	Socket Retention Ring (1" Anvil)	RR100155
	for models 2145QiMAX, 2145QiMAX-A, 2145QiMAX-3 and 2145QiMAX-6 (3/4" Ring-type)	2145-K425	† *	Air Care Kit (grease gun, grease, oil)	115-LBK1
	for models 2155QiMAX and 2155QiMAX-A (1" Ring-type)	2155-K425	*	Grease (replacement tube for-LBK1)	115-4T
20	O-Ring	---	*	Air Tool Oil (4 oz. bottle)	1024
21	Socket Retainer	---	*	Grease (1 lb can)	105-1LB
			*	Grease (8 lb can)	105-8LB
			*	Grease Gun	R000A2-228

* Indicates not illustrated.

† Indicates common-wear parts. Maintain stock to reduce downtime.

Parts and Maintenance

When tool life has expired, it is recommended that the tool be disassembled, degreased and parts separated by material for proper recycling.

Tool repair and maintenance should only be carried out by an authorized Service Center.

Refer all communications to the nearest **Ingersoll Rand** office or distributor.

Related Documentation

Manuals can be downloaded from ingersollrandproducts.com

For additional information, refer to:

Product Safety Information Manual 04580916.

Product Information Manual 47103767.

Declaration of Conformity 47616440001.