



16573297
Edition 3
January 2014

Air Grinder

99H Series

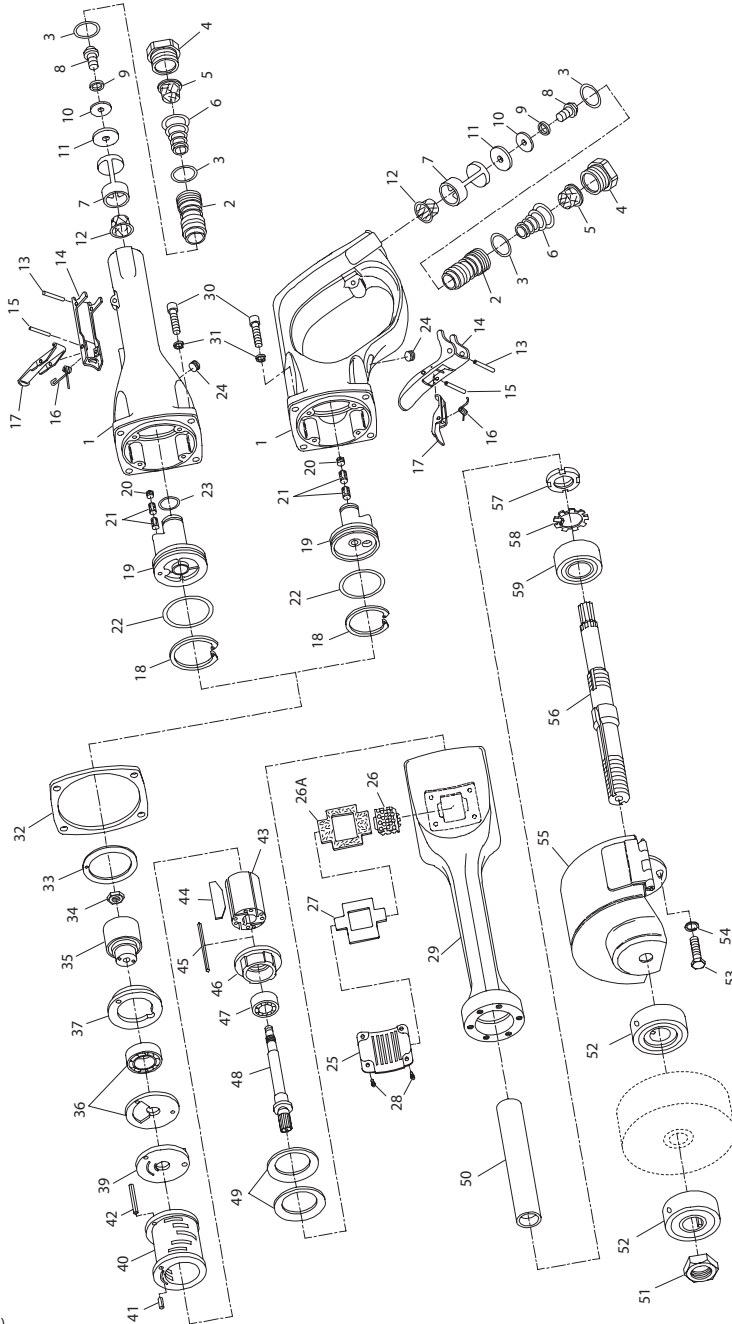
Parts Information



Save These Instructions

IR *Ingersoll Rand*

99H Series Air Grinder - Exploded View



(Dwg. TPA759-2)

99H Series Air Grinder - Parts List

Item	Part Description	99HG45H108 99HG60H106	99HL45H108 99HL60H106 99HL60H108
1	Throttle Handle Assembly	99HG60-A1	99HL60-A160
2	Throttle Valve Assembly	88V60-A302	88V60-A302
3	Seal (2)	C321-606	C321-606
4	Inlet Bushing	88V60-38	88V60-38
5	Inlet Bushing Screen	834-61	834-61
6	Throttle Valve Spring	99V60-262	99V60-262
7	Throttle Valve Seat Support Assembly	88V60-A303	88V60-A303
8	Valve Seat Screw	PS3-83	PS3-83
9	Valve Screw Lock Washer	H54U-352	H54U-352
10	Valve Seat Washer	99V60-155	99V60-155
11	Valve Seat	R4-159A	R4-159A
12	Air Strainer Screen	834-61	834-61
13	Throttle Lever Pin	MR-100	MR-100
14	Throttle Lever Assembly	88HG60-A400	88V60-A400
15	Lever Lock Pin	R100B-120	502B-120
16	Lever Lock Spring	88HG60-405	88V60-405
17	Lever Lock	88HG60-402	88V60-402
18	Oiler Retainer	88HG60-298	88HL60-298
19	Oiler Body Assembly	88HG60-A198	88HL60-A198
20	Oiler Adjusting Screw	R1-71A	R1-71A
21	Oiler Felt (2)	R1-75	R1-75
22	O-Ring (Large)	M0V010AA-379	WFS182-210
23	O-Ring (Small)	---	88HL60-103
24	Oil Chamber Plug	R2-227	R2-227

99H Series Air Grinder - Parts List

Item	Part Description	Part Number	Item	Part Description	Part Number
25	Exhaust Deflector	88H60-23	50	Arbor Coupling	88H60-304
26	Exhaust Baffle	88H90-311	51	Wheel Nut	
26A	Exhaust Deflector Gasket	88H60-129		for models with M16 x 2.0 pitch thread arbor	88H60-776
27	Exhaust Diffuser (for 99HL45H108)	99H80-123		for models with 5/8"-11 thread arbor	HU-776
28	Exhaust Deflector Screw (4)	99V60-200	52	Wheel Flange (2)	
+ 29	Arbor Housing			for 99H45 and 99HL60H108 with 5/8"-11 Arbors (4500 & 6000 rpm) with model numbers ending in 8	99H45-16
	for models ending in -EU	99H60-EU-A40			
	for all other models	99H60-A40			
*	Warning Label (for models ending in -EU)	EU-99		for 99H60 with 5/8"-11 Arbors (6000 rpm) with model numbers ending in 6	88H60-16
*	Nameplate Screw (4) (for models	C32-302			
*	Nameplate Kit (for models ending in -EU)	99H-EU-K301	53	Guard Screw (6)	99H60-638
*	Nameplate Kit (for all other models)	99H-K301	54	Guard Screw Lock Washer (6)	88H60-67
	Nameplate Screw (4)	C32-302	55	Wheel Guard	
	Warning Label	WARNING-4-99		for 99HG60H106 and 99HL60H106	88H60-961A
30	Arbor Housing Screw (4)	88H60-29		for all other models	99H45-981
31	Arbor Housing Lock Washer (4)	88H60-58	*	Guard Latch Screw	
32	Arbor Housing Gasket	99H60-283		for new style Guard with smooth threaded face Latch Retainer	88H60-7A
33	Rear End Plate Gasket	99V60-739			
34	Controller Retaining Nut			for old style Guard with slotted dome Latch Retainer	88H60-7
	for 99HG45H108 and 99HL45H108	R4-120			
	for all other models	G8-120A	56	Arbor (for Type 1 Grinding Wheels)	
35	Controller Assembly (consists of Controller and Rotor Bearing Seal Assembly)		for M16 x 2.0 pitch thread	88H60-4-K16	
	for 99H45 (Orange)	99V45-A524	5/8"-11 thread	88H60-4-H10	
	for 99H60 (Blue)	99V60-A524			
36	Rear Bearing Seal Assembly (consists of Rear Rotor Bearing and Rotor Bearing Seal)	99V60-A28A	57	Bearing Locknut	88H60-84
37	Bearing Cage	99V60-107A	58	Bearing Lock Washer	88H60-27
39	Rear End Plate	99V60-A12	59	Arbor Bearing	G57E-24
40	Cylinder Assembly	99V60-A3		* Wheel Adapter Kit for 99HG45H108, 99HL45H108, 99HG60H106 and 99HL60H106 (consists of four Adapters for mounting Type 1 Wheels of the following metric dimensions): 32 mm wide x 20 mm arbor hole; 32 mm wide x 32 mm arbor hole; 25 mm wide x 20 mm arbor hole and 25 mm wide x 32 mm arbor hole	88H60-K900
41	End Plate Dowel	5040-6			
42	Cylinder Dowel	502B-120			
43	Rotor	99V60-53		* Tune-up Kit (includes illustrated parts 3 [2],5, 11, 12 [2], 21 [2], 22, 23, 32, 33 and 44)	99V/99H-TK3
44	Vane Packet (set of 4 Vanes)	99V60-42-4			
45	Rotor Key	R43F-70		* Controller Wrench	99V60-950
46	Front End Plate	99V60-11	* Seal Pressing Tool	99V60-951	
47	Front Rotor Bearing	R380-105	* Bearing Clamp	99V60-A952	
48	Rotor Shaft		* Kit (includes 99V60-950, 99V60-951 & 99V60-A952)	99V60-K950	
	for 99H45 (13 teeth)	99H45-52	* Deflector Screw Wrench	R2J-562	
	for 99H60 (13 teeth)	99H60-52			
49	Motor Clamp Washer (2)	99V60-207			

* Not illustrated.

+ Whenever a new Arbor Housing is installed, select the correct Nameplate from the Nameplate Kit and attach it to the Housing with the Nameplate Screws.

Parts and Maintenance

When the life of the tool has expired, it is recommended that the tool be disassembled, degreased and parts be separated by material so that they can be recycled.

Tool repair and maintenance should only be carried out by an authorized Service Center.

Refer all communications to the nearest **Ingersoll Rand** Office or Distributor.

Related Documentation

For additional information refer to:

Product Safety Information Manual 04584959.

Product Information Manual 16576100.

Maintenance Information Manual 16573354.

Manuals can be downloaded from ingersollrandproducts.com

Notes:

Notes:

ingersollrandproducts.com

© 2014 *Ingersoll Rand*

