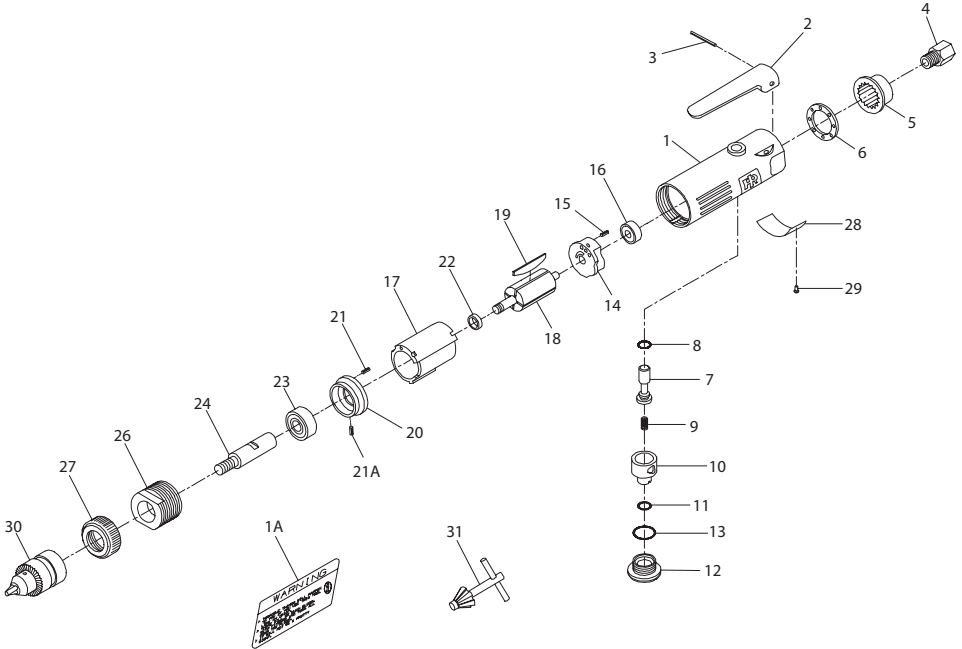


327 Tire Buffer - Exploded View

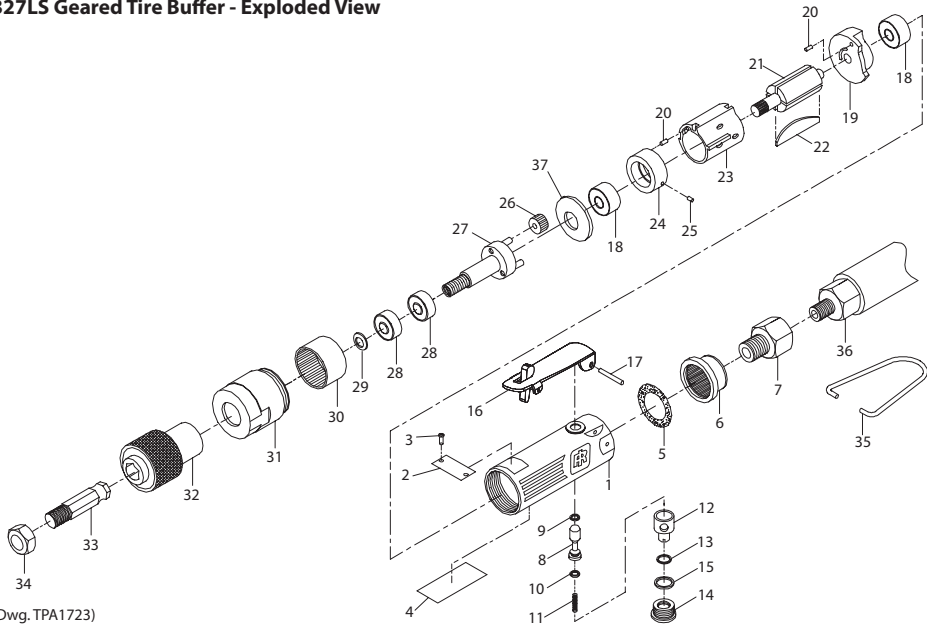


(Dwg. TPB822-3)

327 Tire Buffer - Parts List

Item	Part Description	Part Number	Item	Part Description	Part Number
1	Motor Housing	327-40	17	Cylinder	327-3
1A	Warning Label	WARNING-21-99	18	Rotor	327-53
2	Throttle Lever	327-273	19	Vane Packet (set of 4 Vanes)	327-42-4
3	Throttle Lever Pin	327-120	20	Front End Plate Assembly	327-A11
4	Inlet Bushing	327-565	21	End Plate Alignment Dowel	327-98
5	Exhaust Deflector	327LS-123	21A	Cylinder Alignment Dowel	327LS-98
6	Muffler	327LS-311	22	Front End Bearing Spacer	327-448
7	Throttle Valve Assembly	327-A302	23	Front Rotor Bearing	327-24
8	Throttle Valve O-Ring	327-159	24	Motor Spindle (3/8" -24 thread)	327-290
9	Throttle Valve Spring	327-51	26	Motor Clamp	327-107
10	Air Regulator	327-249	27	Housing Cap	327-23
11	Air Regulator O-Ring	327-251	28	Nameplate	
12	Throttle Valve Cap Assembly	327-A266	29	for 327	327-301
13	Valve Cap O-Ring	327-206	30	for 327-EU	327-EU-301
14	Rear End Plate Assembly	327-A12	31	Nameplate Rivets	327-222
15	End Plate Alignment Dowel	327-98		Chuck (3/8" capacity)	7811-99
16	Rear Rotor Bearing	327-22		Chuck Key	7811-253

327LS Geared Tire Buffer - Exploded View



327LS Geared Tire Buffer - Parts List

Item	Part Description	Part Number	Item	Part Description	Part Number
1	Motor Housing Assembly	327LS-A40	19	Rear Endplate Assembly	327-A12
2	Nameplate	327LS-301	20	Pin (2)	327-98
3	Nameplate Rivet (2)	327-222	21	Rotor	327LS-53
4	Warning Label	327LS-99	22	Vane Packet (set of 4 Vanes)	327-42-4
5	Muffler	327LS-311	23	Cylinder	327LS-3
6	Exhaust Deflector	327LS-123	24	Front Endplate Assembly	327LS-A11
7	Inlet Bushing	327-565	25	Pin	327LS-98
8	Throttle Valve Assembly	327-A302	26	Spindle Planet Gears (3)	327LS-10
9	O-Ring	327LS-157	27	Spindle	327LS-8
10	O-Ring	327-159	28	Spindle Bearing (2)	327LS-24
11	Throttle Valve Spring	327-51	29	Spacer	327LS-25
12	Air Regulator	327-249	30	Ring Gear	327LS-406
13	O-Ring	327-251	31	Ring Gear Cap	327LS-27
14	Throttle Valve Cap Assembly	327-A266	32	Quick Chuck	327LS-979
15	O-Ring	327-206	33	Adapter	327LS-1
16	Lever	327LS-273	34	Nut	327LS-305
17	Pin	327-120	35	Hanger	327LS-365
18	Rotor Bearing (2)	327-22	36	Exhaust Hose Assembly	327LS-K284
			37	Washer	327LS-246

Parts and Maintenance

When the life of the tool has expired, it is recommended that the tool be disassembled, degreased and parts be separated by material so that they can be recycled.

Tool repair and maintenance should only be carried out by an authorized Service Center.

Refer all communications to the nearest **Ingersoll Rand** Office or Distributor.

Related Documentation

For additional information refer to:
 Air Tire Buffer Product Safety Information Manual 04584991.
 Air Tire Buffer Product Information Manual 16574709.

Manuals can be downloaded from ingersollrandproducts.com

