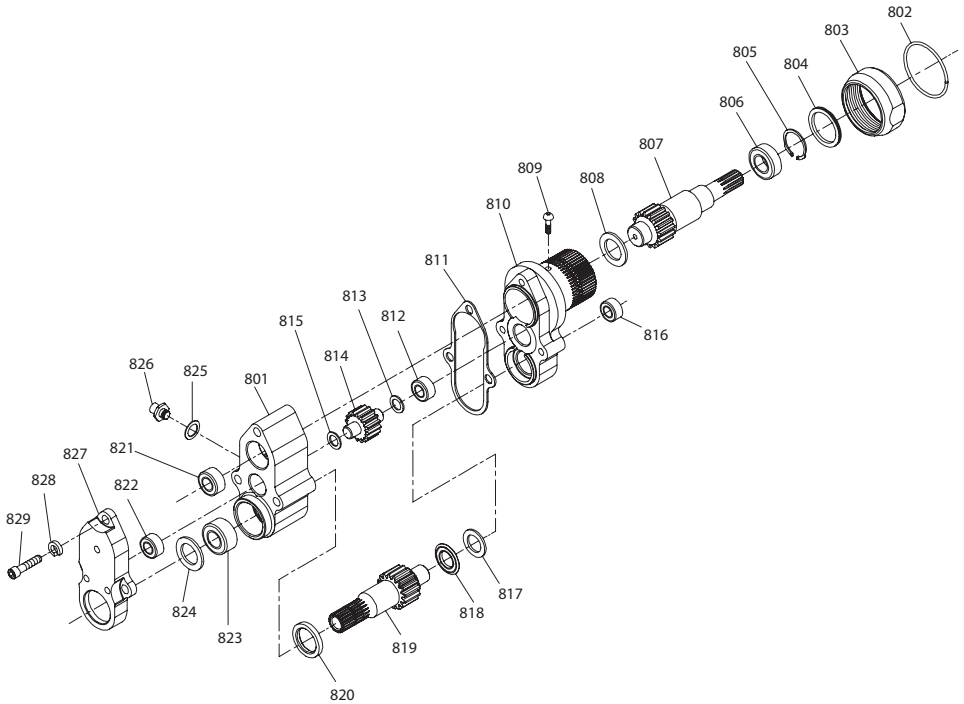


D1610-A147 Geared Offset Head Exploded Diagram



(Dwg. TPC663)

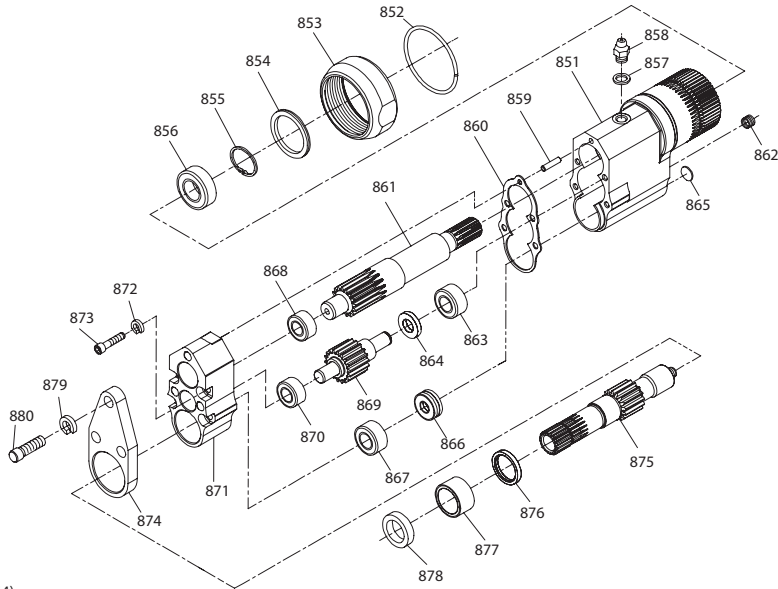
D1610-A147 Geared Offset Head Parts List

Item	Part Description	Part Number	Item	Part Description	Part Number
	Geared Offset Head	D1610-A147	817	Washer	D1610-701
801	Gear Housing	D1610-147	• 818	Bearing	R1610-105
802	Retainer	DAA4-29	• 819	Spindle Drive	D1610-591
803	Coupling Nut	DAA4-27	820	Washer	R1610-706
804	Cap	8SA32-531	• 821	Bearing	R1610-601
805	Retainer	D1610-118	• 822	Bearing	R1610-535
• 806	Bearing	8SA32-593	• 823	Bearing	R1610-593
807	Drive Gear	D1610-756	• 824	Seal	R1610-271
808	Washer	R1610-707	825	Washer	R3-92A
809	Screw	99V60-200	826	Grease Fitting	R1-188
810	Housing Cover	D1610-378	827	Extension Adapter	D1610-65
811	Gasket	D1610-592	828	Lockwasher (3)	8U-58
• 812	Bearing	H54U-535	829	Cap Screw (3)	518-104
813	Washer	R1610-332	*	Offset Spindle Retaining Ring	RX3-729
814	Gear	D1610-82	*	#28 Grease, 1 lb	28 1 LB
815	Washer	R1610-332	*	#28 Grease, 8 lb	28 8 LB
• 816	Bearing	R1610-793			

* Not illustrated.

• To keep downtime to a minimum, it is desirable to have on hand certain repair parts. We recommend that you stock one (pair or set) of each part indicated by a bullet (•) for every four units in service.

D1411-A147 Geared Offset Head Exploded Diagram



(Dwg. TPC664)

D1411-A147 Geared Offset Head Parts List

Item	Part Description	Part Number	Item	Part Description	Part Number
	Geared Offset Head	D1411-A147	• 867	Bearing	R1410-593
851	Gear Housing	D1411-147	• 868	Bearing	H54U-535
852	Retainer	DAA4-29	869	Gear	D1411-82
853	Coupling Nut	DAA4-27	• 870	Bearing	R1410-501
854	Cap	8SA32-531	871	Housing Cover	D1411-378
855	Retainer	N44-6	872	Lockwasher (4)	34U-351
• 856	Bearing	8SA32-593	873	Cap Screw (4)	R1410-634
857	Washer	R3-92A	874	Spacer	D1410-65
858	Grease Fitting	R1-188	875	Spindle Drive	D1411-591
859	Pin	504-667	876	Washer	D1411-706
860	Gasket	R1410-592	• 877	Bearing	R1411-593
861	Drive Gear	D1411-756	• 878	Seal	R1410-271
862	Plug	453-669	879	Lock Washer (3)	8U-58
• 863	Bearing	R1410-501	880	Capscrew (3)	5080-638
864	Washer	R1410-382	*	Offset Spindle Retaining Ring	RX3-729
865	Cap	8SA32-110	*	#28 Grease, 1 lb	28 1 LB
• 866	Bearing	R1410-105	*	#28 Grease, 8 lb	28 8 LB

* Not illustrated.

• To keep downtime to a minimum, it is desirable to have on hand certain repair parts. We recommend that you stock one (pair or set) of each part indicated by a bullet (•) for every four units in service.

Parts and Maintenance

When the life of the tool has expired, it is recommended that the tool be disassembled, degreased and parts be separated by material so that they can be recycled.

Tool repair and maintenance should only be carried out by an authorized Service Center.

Refer all communications to the nearest **Ingersoll Rand** Office or Distributor.

Related Documentation

For additional information refer to:

Product Safety Information Manual 16573685.

Product Information Manual 16576951.

Product Maintenance Information Manual 45595642.

Manuals can be downloaded from www.irtools.com.



www.irtools.com

© 2008 **Ingersoll Rand** Company

04581021

Edition 2

May 2008