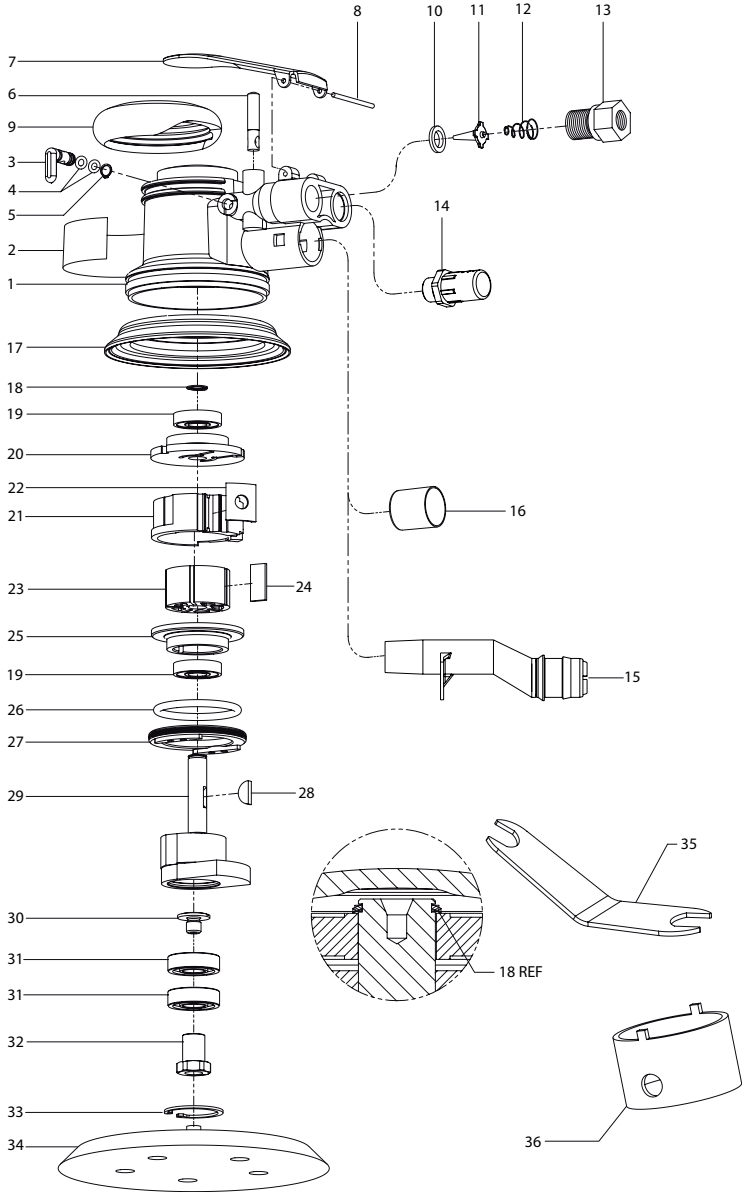


RS2()B - () - () Random Orbital Sander Exploded Diagram



(Dwg. TPA1885)



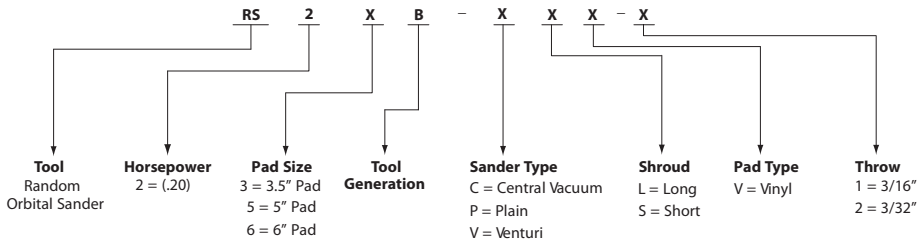
RS2(JB - (-) (-) Random Orbital Sander Parts List

Item	Part Description	Part Number	Item	Part Description	Part Number
1	Housing Assembly	80092828	21	Cylinder Assembly	04649976
2	Label		22	Cylinder Seal	04649042
	3.5"	10554251	23	Rotor	04648820
	5.0"	10548089	24	Vane (set of 5 Vanes)	48254-42-5
	6.0"	10548071	25	Front End Plate	04648929
3	Regulator Assembly	4151-A165	26	O-Ring	04649133
4	O-Ring (2)	4151-65	27	Lock Ring	04648853
5	Snap Ring	4151-797	28	Key	04648754
6	Valve Stem	04648770	29	Counterbalance Assembly	
7	Lever	04655478		for 3.5" 3/32	80093313
8	Pin	04649117		for 5" 3/32	80092885
9	Grip Ring	49798		for 6" 3/32	80090301
10	Valve Seat	04648804		for 3.5"	80093008
11	Tip Valve	04648796		for 5"	80090244
12	Spring	04648747	for 6"	80092810	
13	Inlet Adapter	04649083	30	Clamp	R05-747-1
14	Muffler	4151-A810	31	Bearing (2)	R05-24-1
15	Vacuum Adapter	4151-A809A-25	32	Spindle	R05-8-1
16	Port Plug	04649059	33	Retaining Ring	R05-18-1
17	Shroud		34	Sanding Pad	
	for 3.5"	04334025		for 3.5" Plain Vinyl	04334009
	for 5" Short	48266-1		for 5" Plain Vinyl	49094-1
	for 6" Short	48266-1		for 6" Plain Vinyl	49879-1
	for 5" Long	48876		for 5" Vacuum Pad	49096-1
	for 6" Long	48878	for 6" Vacuum Pad	VPAD-6	
18	Snap Ring	04648762	35	Pad Wrench	04648739
19	Ball Bearing (2)	04648812	* 36	Spanner Wrench	48869
20	Rear End Plate	04648945			

* Not included with tool.

How to order a Sander

ARO Elite and Jet Vac Model Identification Guide



Parts and Maintenance

When the life of the tool has expired, it is recommended that the tool be disassembled, degreased and parts be separated by material so that they can be recycled.

Tool repair and maintenance should only be carried out by an authorized Service Center.

Refer all communications to the nearest **Ingersoll Rand** Office or Distributor.

Related Documentation

For additional information refer to:

Product Safety Information Manual 04580387.

Product Information Manual 45735669.

Maintenance Information Manual 45735677.

Manuals can be downloaded from ingersollrandproducts.com