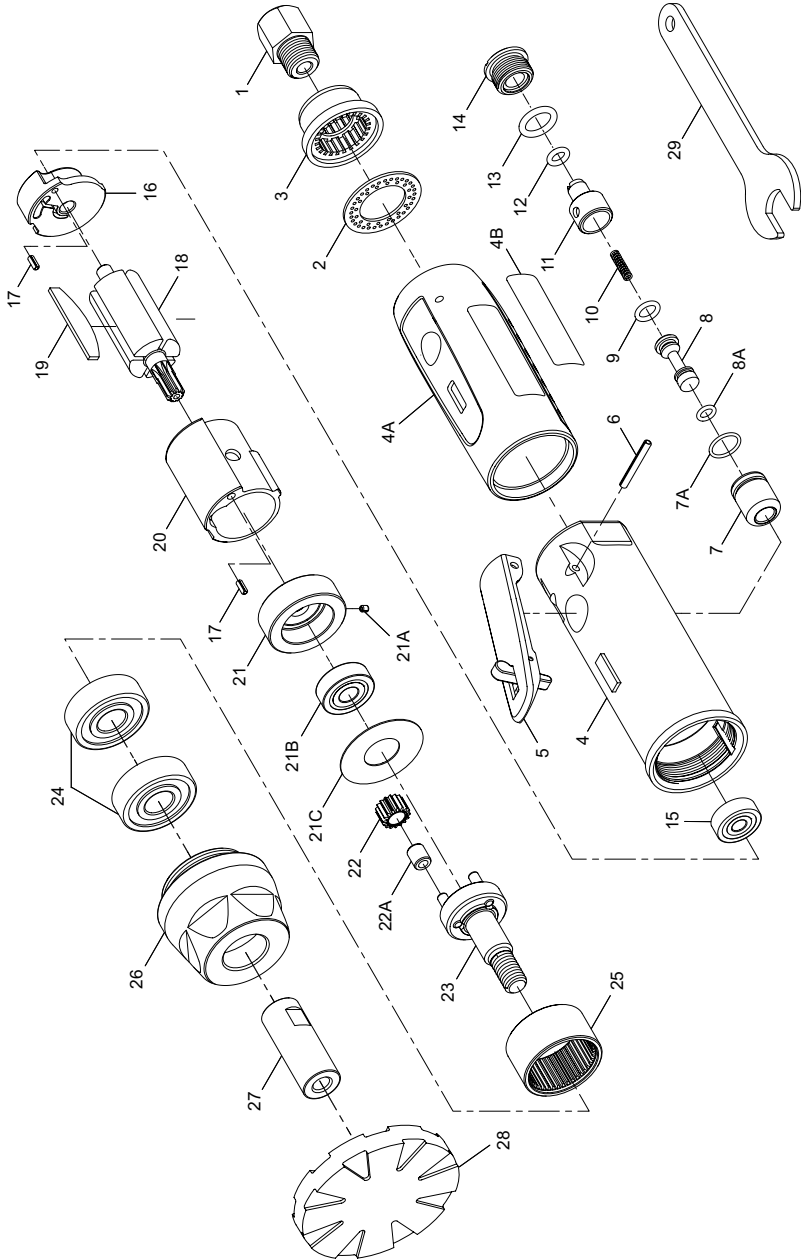


324 Series Pinstripe Remover - Exploded View



(Dwg. 47509197001)



47509803001
Edition 1
June 2015

324 Series Pinstripe Remover - Parts List

Item	Description	Part Number	(CCN)
1	Inlet Bushing	324-565	(47509797001)
2	Exhaust Washer	324-246	(47509798001)
3	Exhaust Deflector	324-23	(47509799001)
4	Motor Housing	324-40	(47509800001)
4A	Housing Sleeve	324-747	(47509801001)
4B	Model Label	324-301	(47515713001)
5	Safety Lever	324-273	(47509802001)
6	Pin	324-120	(47509228001)
7	Valve	324-526	(47509804001)
7A	O-ring	324-65	(47509805001)
8	Throttle Valve	324-302	(47509806001)
8A	O-ring	324-282	(47509807001)
9	O-ring	324-367	(47509808001)
10	Spring	324-250	(47509809001)
11	Air Regulator	324-165	(47509810001)
12	O-ring	324-367-A	(47509811001)
13	O-ring	324-367-B	(47509812001)
14	Valve Screw	324-69	(47509813001)
15	Ball Bearing	324-22	(47509814001)
16	Rear Plate	324-12	(47509815001)

Item	Description	Part Number	(CCN)
17	Pin	324-120-A	(47509816001)
18	Rotor	324-53	(47509817001)
19	Rotor Blade	324-257	(47509818001)
20	Cylinder(Steel)	324-3	(47509819001)
21	Front End Plate	324-11	(47509820001)
21A	Pin	324-553	(47509821001)
21B	Ball Bearing	324-24	(47509823001)
21C	Washer	324-247	(47509822001)
22	Idler Gear	324-82	(47509824001)
22A	Bushing	324-330	(47509825001)
23	Idler Gear Plate	324-216	(47509826001)
24	Ball Bearing	324-97	(47509827001)
25	Ring Gear	324-406	(47509828001)
26	Gear Cap	324-624	(47509829001)
27	Spindle	324-108	(47509830001)
28	Eraser Wheel Pad (Quantity 1)	324-700-1	(47515724001)
	Eraser Wheel Pad (Quantity 6)	324-700-6	(47515702001)
29	Wrench	324-26	(47509831001)

Parts and Maintenance

When tool life has expired, it is recommended that the tool be disassembled, degreased and parts separated by material for proper recycling.

Tool repair and maintenance should only be carried out by an authorized Service Center.

Refer all communications to the nearest **Ingersoll Rand** office or distributor.

Related Documentation

Manuals can be downloaded from ingersollrandproducts.com

For additional information, refer to:

Product Safety Information Manual 04580288.

Product Information Manual 47509840001.