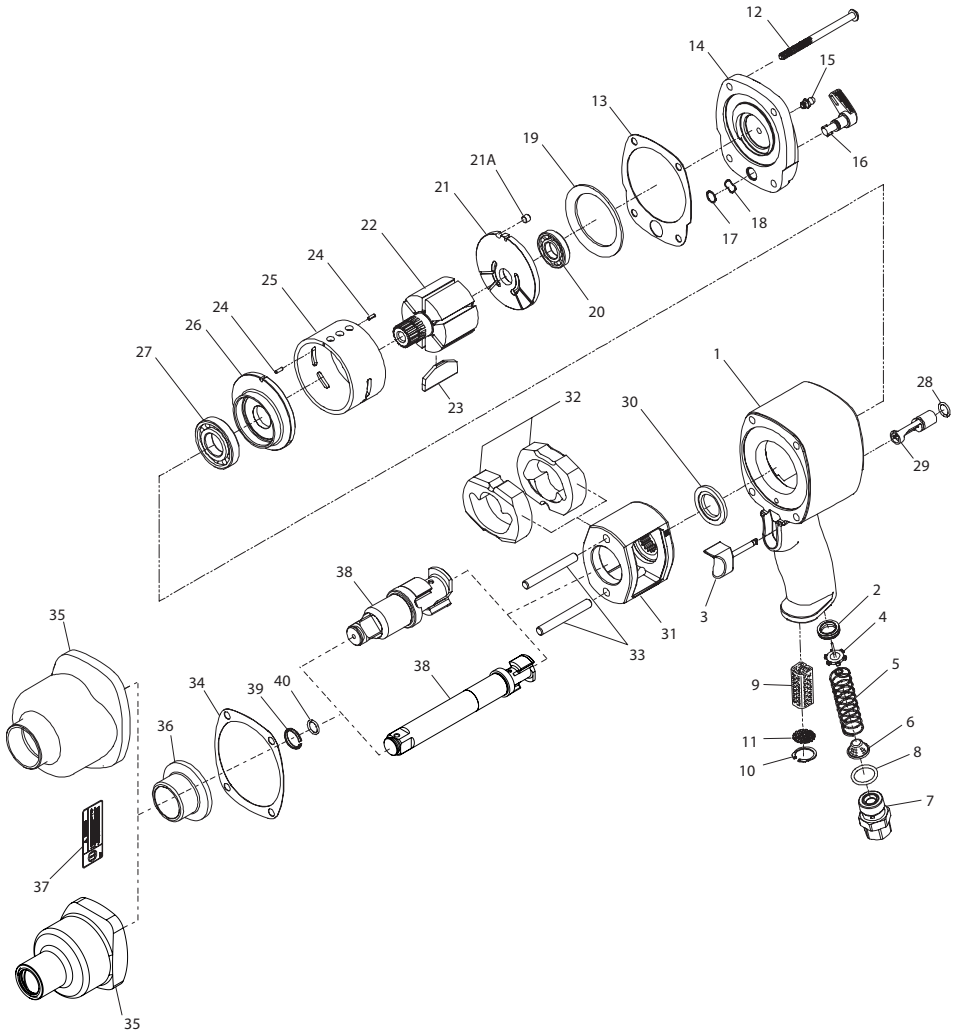


# 2161XP and 2171XP Series Air Impact Wrench - Exploded View



(Dwg. TPA1750)

## 2161XP and 2171XP Series Air Impact Wrench - Parts List

Item	Part Description	Part Number	Item	Part Description	Part Number
	Motor Housing Assembly	2161-A40	27	Front Rotor Bearing	834-24
1	Motor Housing	2161-B40	• 28	Reverse Valve O-ring	023446
2	Throttle Valve Seat	DG230-303	29	Reverse Valve	2161-329
3	Trigger Assembly	2161-A93	30	Hammer Frame Washer	2161-706
4	Throttle Valve	2921-302	31	Hammer Frame	2910-703A
5	Throttle Valve Spring	2161-51	32	Hammer (2)	2925-724
6	Air Strainer Screen	834-61	33	Hammer Pin (2)	2910-704
7	Inlet Bushing Assembly	2161-A465A	• 34	Hammer Case Gasket	2161-36
8	Inlet Bushing O-ring	R4-210	35	Hammer Case Assembly	
9	Muffler Element	202-311		for 2161XP, 2161XP-6 and 2171XP	2161-A727
10	Retaining Ring	2161-118		for 2171XP-6	2171XP-D727-6
11	Exhaust Deflector	2161-23	36	Hammer Case Bushing	
12	Backcap Bolt (4)	2161-638		for 2161XP, 2161XP-6 and 2171XP	2161-641
• 13	Backcap Gasket	2161-739		for 2171XP-6	2080-641-6
	Backcap Assembly	2161-A102	37	Warning Label	WARNING-2-99
14	Backcap	2161-102	38	Anvil	
15	Grease Fitting	R1-188		3/4" (for 2161XP)	2161XP-626
16	Reverse Lever	2161-658		3/4" extended (for 2161XP-6)	2161XP-626-6
17	Reverse Lever Snap Ring	2161-28		1" (for 2171XP)	2080-726
18	Reverse Lever Spring	2161-278		1" extended (for 2171XP-6)	2080-826-6
19	Motor Clamp Washer	2161-207	39	Socket Retainer	
20	Rear Rotor Bearing	4E-510		3/4" (for 2161XP and 2161XP-6)	908B5-918
21	Rear End Plate	2161-12		1" (for 2171XP and 2171XP-6)	910E5-918
21A	Locating Pin	2920-74	40	Socket Retainer O-ring	
22	Rotor	2161XP-53		3/4" (for 2161XP and 2161XP-6)	AF120-289
• 23	Vane Packet (set of 6 Vanes)	2910-42-6		1" (for 2171XP and 2171XP-6)	BBFM-557
24	Cylinder Dowel (2)	JC3350-538	*	Hanger Kit	2161-366
25	Cylinder	2161-3	*	Piped-Away Exhaust	2161-123
26	Front End Plate	2161-11			

\* Not illustrated.

- To keep downtime to a minimum it is desirable to have on hand certain repair parts. We recommend that you stock one (pair or set) of each Part indicated by a bullet (-) for every four tools in service.

### Parts and Maintenance

When the life of the tool has expired, it is recommended that the tool be disassembled, degreased and parts be separated by material so that they can be recycled.

Tool repair and maintenance should only be carried out by an authorized Service Center.

Refer all communications to the nearest **Ingersoll Rand** Office or Distributor.

### Related Documentation

For additional information refer to:

Air Impact Wrench Product Safety Information Manual 04580916.

Air Impact Wrench Product Information Manual 04576856.

Manuals can be downloaded from [ingersollrandproducts.com](http://ingersollrandproducts.com)

