

Air Percussive Scaler

Models 125-A and 125CI-A



Product Parts Information



Save These Instructions

When product life has expired, it is recommended to:

- disassemble the product
- degrease the product
- separate product parts by material for correct recycling

Product repair and maintenance should be conducted by an authorized service center.

Refer all communications to the nearest **Ingersoll Rand** office or distributor.

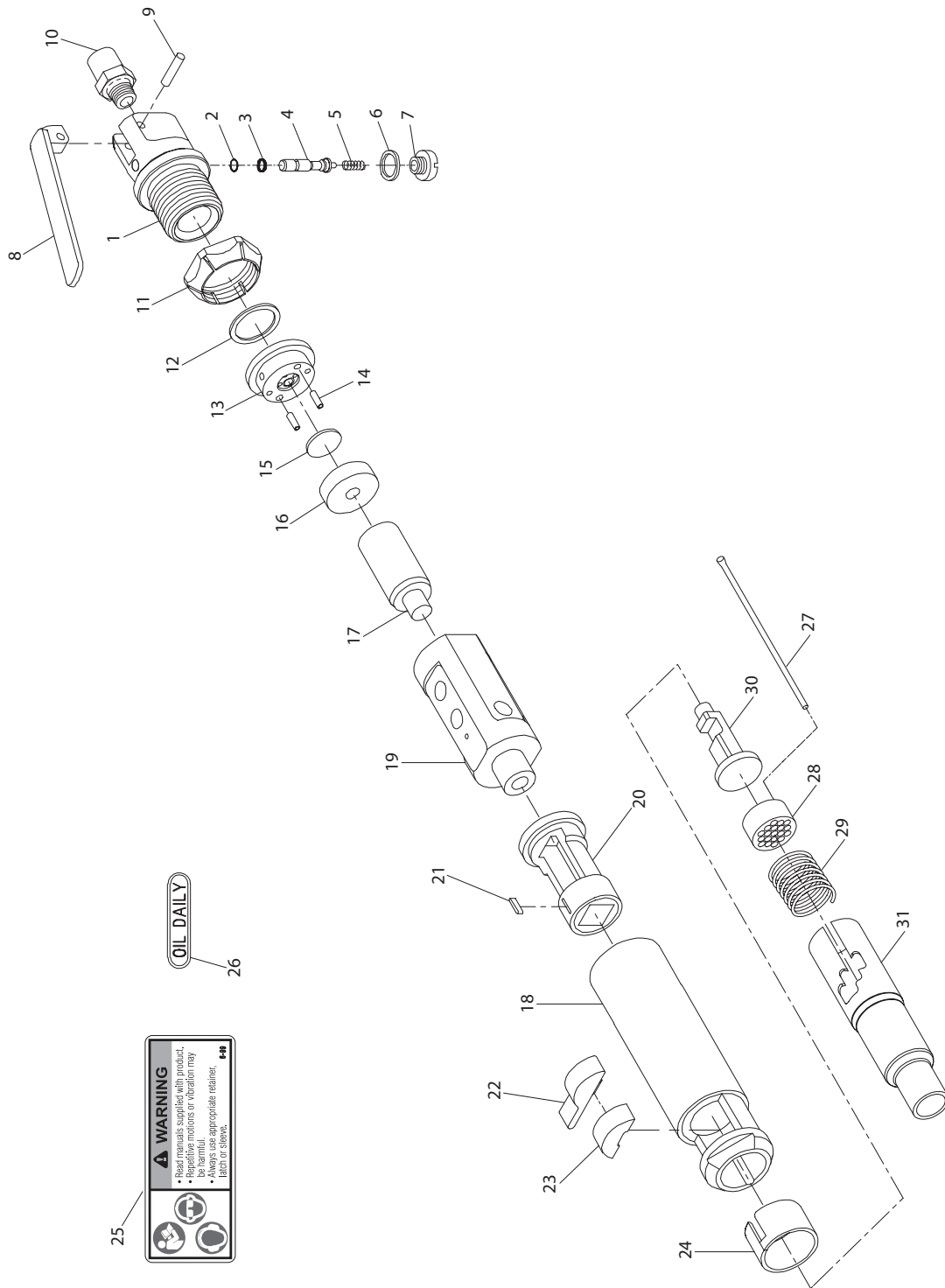
Manuals are available at ingersollrandproducts.com

Table 1. Product Information Manuals

Publication	CCN
Product Safety Information Manual	04581450
Product Information Manual	47680581001
Declaration of Conformity	47680587001

Models 125-A and 125CI-A Air Percussive Scaler

Figure 1. Exploded View — TPC640-2



Models 125-A and 125CI-A Air Percussive Scaler

Table 2. Models 125-A and 125CI-A Air Percussive Scaler - Parts List

Item	Part Description	Part Number
1	Backhead	125-A-160
2	Throttle Valve Stem O-Ring	125-A-53
3	Valve O-Ring	125-A-50
4	Throttle Valve	125-A-49
5	Spring	125-A-51
6	Gasket	125-A-52
7	Valve Cap	125-A-109
8	Lever	125-A-273
9	Lever Pin	125-A-274
10	Inlet Bushing	125-A-565
11	Locking Ring	125-A-27
12	Alignment Shim (QTY. 2)	125-A-207
13	Rear Valve Block	125-A-4
14	Pin (QTY. 2)	125-A-32
15	Valve	125-A-2
16	Front Valve Block	125-A-3
17	Piston	125-A-5
	Casing Assembly	125-A-A10
18	Casing	125-A-10
19	Casing Sleeve	125-A-30
20	Nozzle	125-A-7
21	Key	125-A-8
22	Bit Retainer	125-A-200
23	Bit Retainer Buffer	125-A-203
24	Retainer Clip	125-A-201
25	Warning Label	WARNING-6-99
26	Oil Daily Label	107-304
	Needle Attachment	125-A-K19
27	Needle Package (QTY. 19)	PF2219-22-19
28	Needle Holder	125-A-21
29	Spring	125-A-227
30	Anvil	125-A-20
31	Needle Housing	125-A-24

