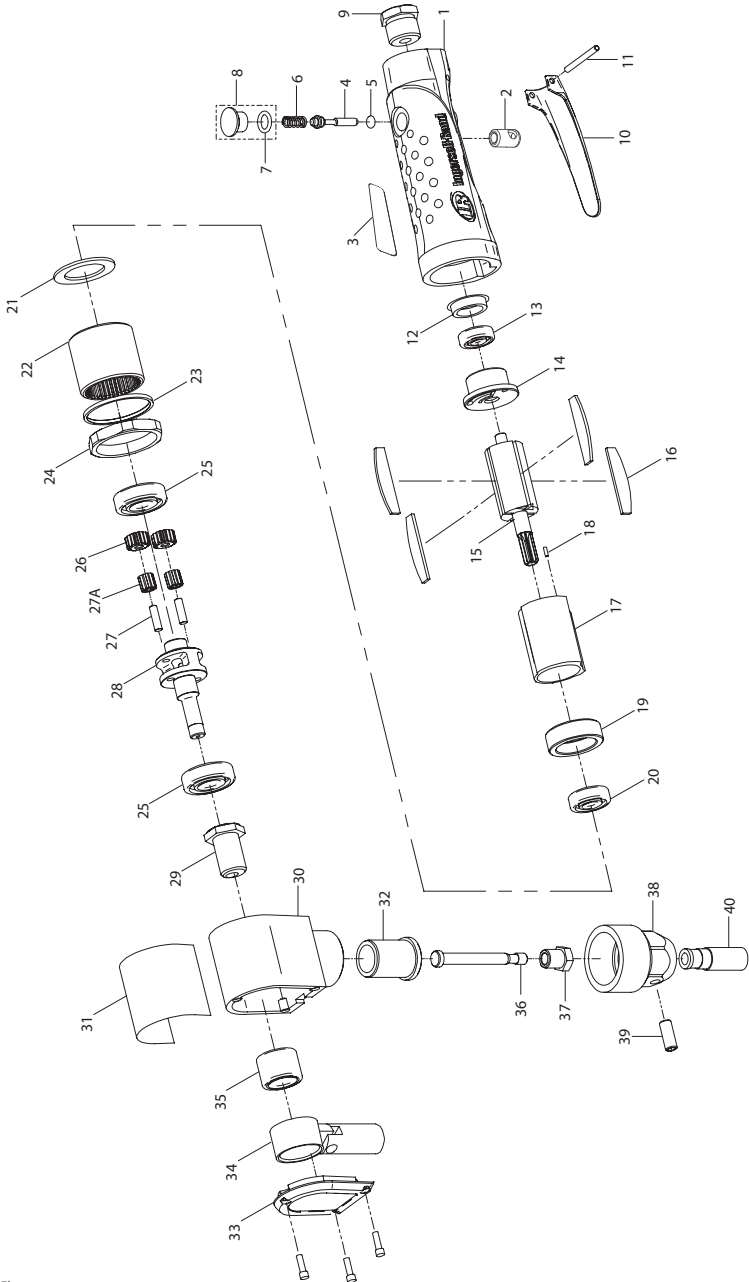


# 325B Air Nibbler - Exploded View



(Dwg. 46806535)



## 325B Air Nibbler - Parts List

Item	Part Description	Part Number	Item	Part Description	Part Number
	Housing Assembly	325A-A40	21	Motor Clamp Washer	325A-18
1	Housing	---	22	Internal Gear Case	325A-625
2	Valve Bushing	---	23	Ring	325A-338
3	Nameplate	325B-301	24	Gear Case Nut	325A-302
	Throttle Kit	325A-TK	25	Spindle Bearing	325A-110
4	Throttle valve	---		Planet Gear Kit	325A-A9
5	O-Ring	---	26	Planet Gear (2 Per Kit)	---
6	Spring	---	27	Pin (2 Per Kit)	---
7	O-Ring	---	27A	Needle Roller Package (2 Per Kit)	---
8	Valve Plug and O-ring	325A-A229	28	Spindle	325A-8
9	Inlet Bushing	325A-565	29	Eccentric Nut	325A-10
	Lever Kit	325A-LK		Nibbler Housing Assembly	325A-A25
10	Lever	---	30	Housing	---
11	Pin	---	31	Warning Label	7804-99
12	End Cap	325A-207	32	Crank Shaft Bushing	325A-318
13	Rear Rotor Bearing	325A-97	33	Housing Cover With Screws	325A-A316
14	Rear End Plate	325A-12	34	Nibbler Crank Assembly (includes crankshaft and pin)	325A-A303
15	Rotor	325A-53	35	Crank Bearing	325A-510
16	Vane Kit (4 vanes)	325A-42-4	36	Cutter	325A-350
	Cylinder Kit	325A-A3	37	Cutter Lock Nut	325A-351
17	Cylinder	---		Nibbler Housing Nut	325A-A352
18	Alignment Pin	---	38	Housing Nut	---
19	Front End Plate	325A-11	39	Set Screw	---
20	Front Rotor Bearing	325A-22	40	Cutter Die	325A-354

## Parts and Maintenance

When the life of the tool has expired, it is recommended that the tool be disassembled, degreased and parts be separated by material so that they can be recycled.

Tool repair and maintenance should only be carried out by an authorized Service Center.

Refer all communications to the nearest **Ingersoll Rand** Office or Distributor.

## Related Documentation

For additional information refer to:

Air Nibbler Product Safety Information Manual 04580494.

Air Nibbler Product Information Manual 46806519.

Manuals can be downloaded from [ingersollrandproducts.com](http://ingersollrandproducts.com)