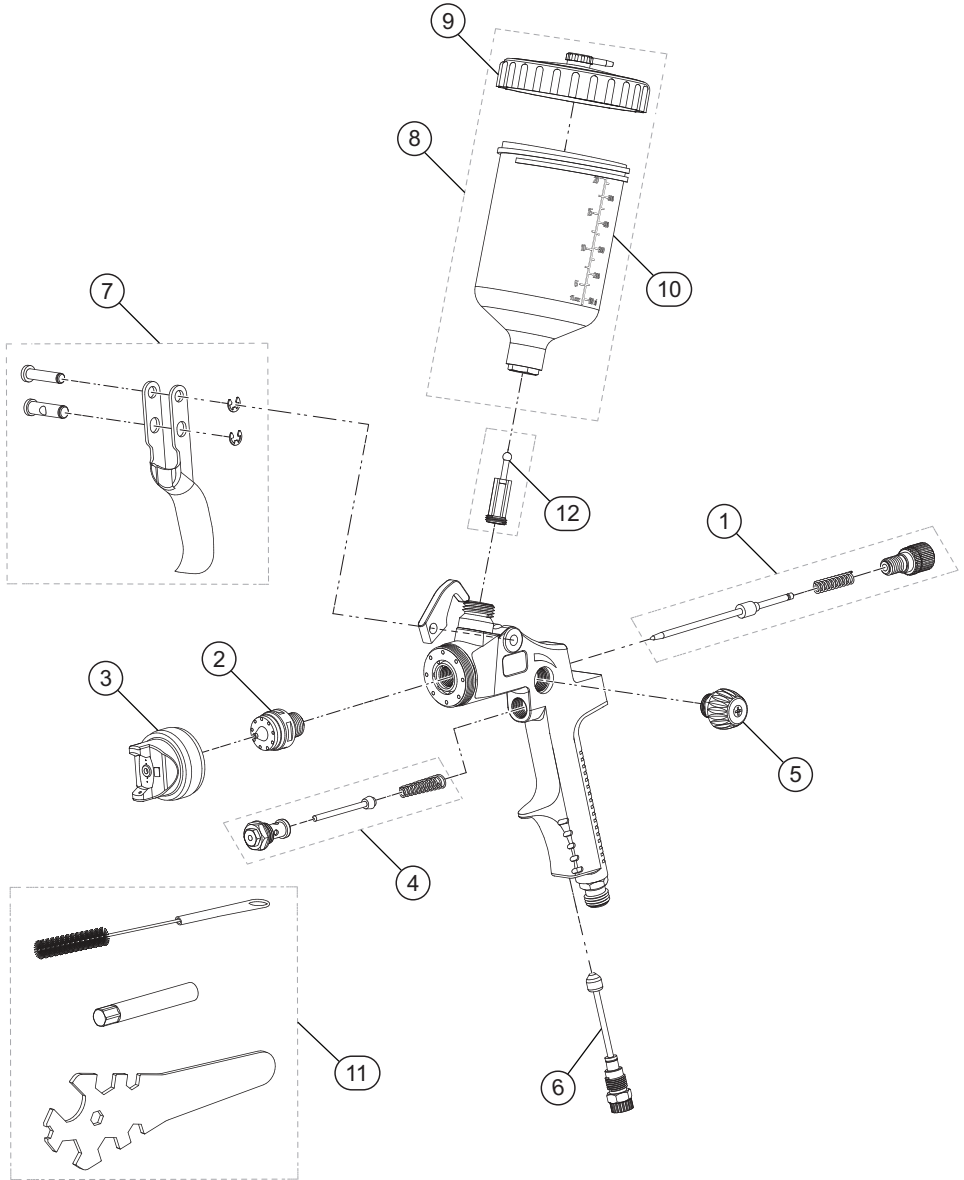


**Model 210G, Paint Sprayer - Exploded View**



(Dwg. TP2146)

---

## Model 210G, Paint Sprayer - Parts List

---

Item	Part Description	Part Number	Item	Part Description	Part Number
1	Fluid Needle Kit	210G-K20	7	Trigger Kit	210G-K80
2	Fluid Nozzle	210G-30	8	Cup Kit	210G-85
3	Air Cap	210G-40	9	Cup Lid	---
4	Valve Kit	210G-K50	10	Cup	---
5	Pattern Controller	210G-60	11	Accessories Kit	210G-200
6	Air Controller	210G-70	12	Filter	200G-1727

---

### Parts and Maintenance

When tool life has expired, it is recommended that the tool be disassembled, degreased and parts separated by material for proper recycling.

Tool repair and maintenance should only be carried out by an Authorized Service Center.

Refer all communications to the nearest **Ingersoll Rand** office or distributor.

---

### Related Documentation

Manuals can be downloaded from [ingersollrand.com](https://www.ingersollrand.com)

For additional information, refer to:

Product Safety Information Manual 16576563

Product Information Manual 47083068

Maintenance Information Manual 16577645