



80153232
Edition 12
January 2018

Air Grinder, Die Grinder and Sander

G3 Series (Angle)

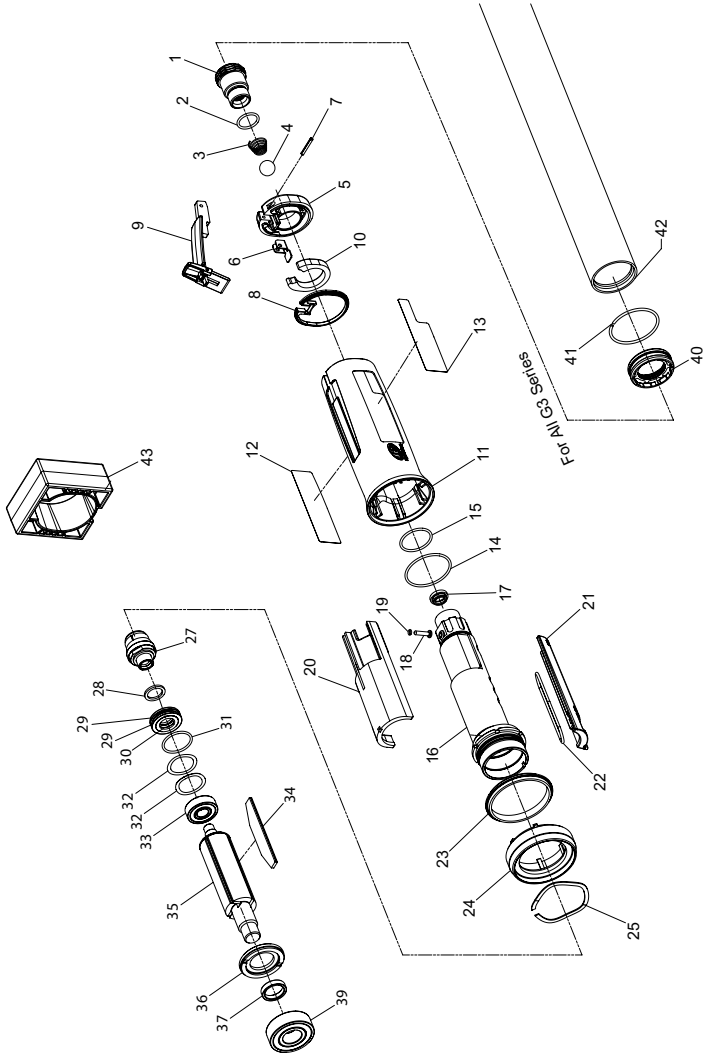
Parts Information



Save These Instructions

IR *Ingersoll Rand*

G3 Series (Angle) Air Grinder, Die Grinder and Sander Exploded Diagram - Body



(Dwg. 16577785)

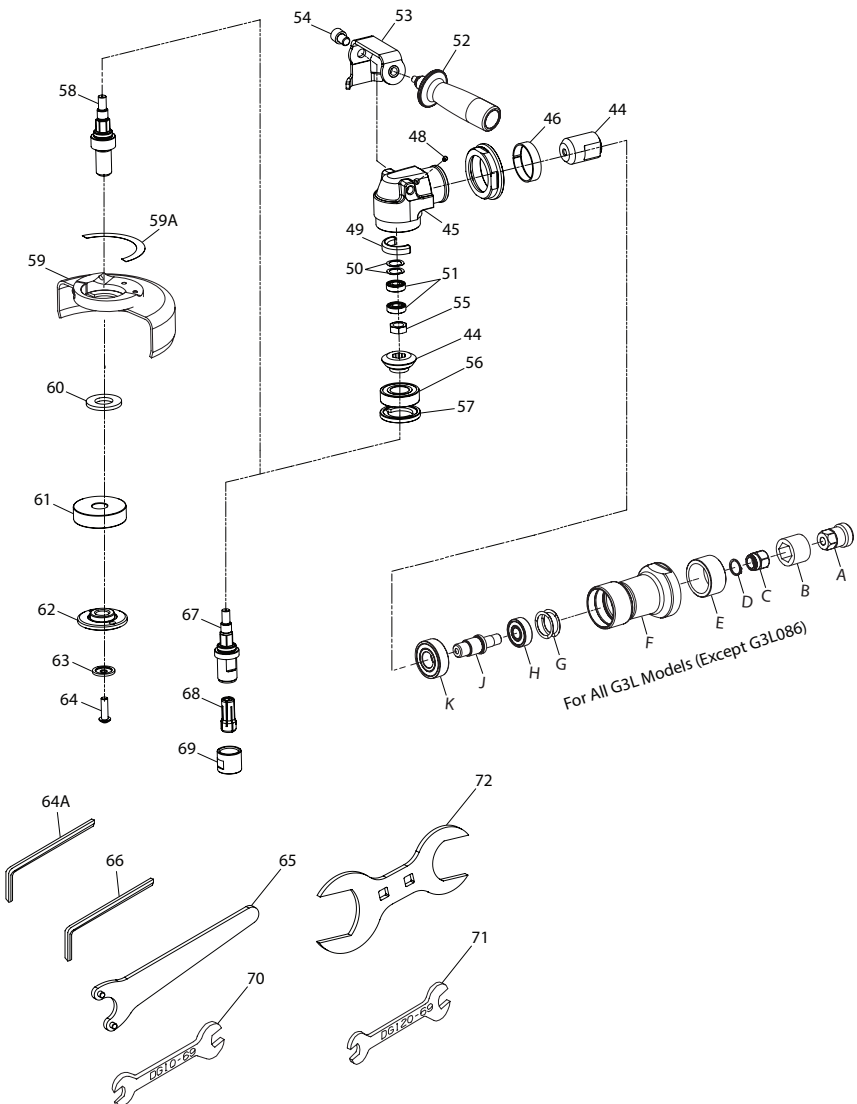
G3 Series (Angle) Air Grinder, Die Grinder and Sander Parts List - Body

Item	Part Description	Part Number	Item	Part Description	Part Number
	Common parts for all G3 models		23	Front Housing Seal	AG3-283
1	Inlet Assembly	AG3-A465	24	Front Housing Cap	AG3-202
*	Inlet Screen	R1602-61	25	Flange Clamp	10560944
2	Inlet Seal	85H-167	27	18.0 K Controller Assembly for 120 models	AG3-422-A18
3	Ball Valve Spring	AG3-51		15.0 K Controller Assembly for 100 models	AG3-422-A15
4	Ball	D10-280		14.2 K Controller Assembly for 086 models	AG3-422-A14.2
5	Rear Exhaust Diffuser	AG3-123	28	Felt Seal	AG3-31A
6	Lever Support	AG3-89	29	Seal Carrier (2)	AG3-26
7	Throttle Lever Pin	61H-120	30	Ring Seal	AG3-26-4
8	Rear Exhaust Diffuser Gasket	AG3-223	31	O-ring	AD100-18
9	Lever Assembly	AG3-A400	32	Rear Rotor Bearing Spacer (2)	80103674
*	Lever	--	33	Rear Rotor Bearing	80146798
*	Lock Spring	45778	34	Vane Pack	AG3-42-4
*	Lock Pin	D92-152	35	Rotor	AG3-53-4A
*	Lever Lock	--	36	Front End Plate	AG3-11
10	Rear Exhaust Diffuser Muffler	AG3-311B	37	Front End Plate Spacer	AG3-65
11	Motor Housing Assembly	AG3-A40	39	Front Rotor Bearing	AG3-24
12	Warning Label	AG3-99	*	Exhaust Hose Adapter Kit	AG3-K284
13	Model Label	AG3-301	40	Adapter	LG2-184
14	Front Cylinder O-Ring	80152762	41	Retainer	6WT-203
15	Rear Cylinder O-Ring	16570756	42	Hose	AG3-284
16	Cylinder Assembly	AG3-A3	43	Clamp Tool	AG3-598
*	Throttle Bushing	--	*	Tune Up Kit	AG3-TK1
17	Ball Valve Seat	--		Includes Part Number (2, 3, 4, 8, 10, 14, 15, 18, 23, 24, 25, 29, 30, 31, 32, 33, 34 & 39)	
18	Throttle Pin Assembly	AG2-A161			
19	Throttle Pin O-Ring	16570806	*	Rotor Kit	AG3-A53-4A
20	Flow Guide	AG3-200		Includes Part Number (32, 33, 34, 35, 36, 37 & 39)	
21	Intake Cover Assembly	AG3-A144			
22	Intake Cover O-Ring	80150881			

* Indicates not illustrated.

G3A and G3L Models (Except G3L086) (Angle) Air Grinder and Die Grinder Exploded Diagram - End

For All G3A Models

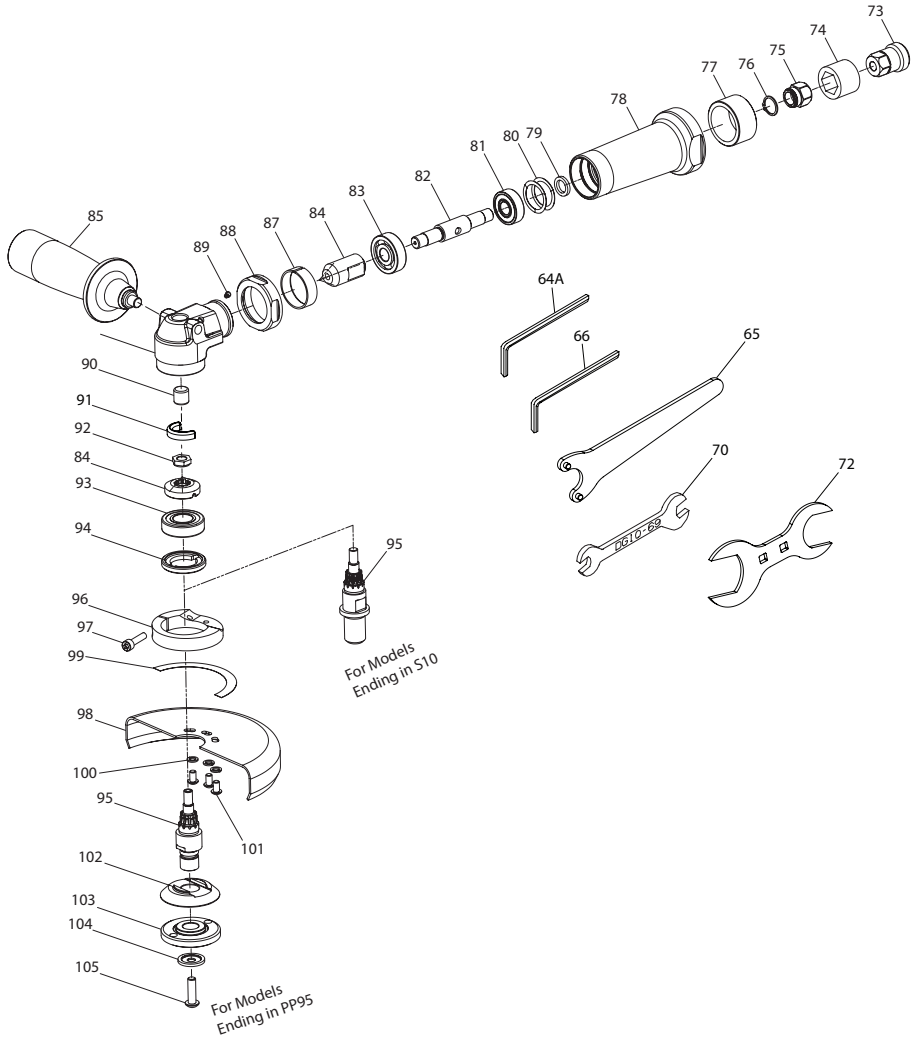


(Dwg. 16577843-1)

G3A and G3L Models (Except G3L086) (Angle) Air Grinder and Die Grinder Parts List - End

Item	Part Description	Part Number	Item	Part Description	Part Number
Additional parts for all G3A models			59	Wheel Guard Replacement Kits	
44	Bevel Pinion and Bevel Gear (sold only as a matched set)	AG3-A552-1.5		for models ending in P1045, P945, P945A	AG3-A106-45
45	Angle Housing Assembly	AG3-A550S		for models ending in P105, P95, P95A	AG3-A106-5
46	Clamp Spacer	AG3-46		for models ending in P106, P96, P96A	AG3-A106-6
47	Clamp Nut	AG3-27		Guard Warning Label	AG2-99G
48	Grease Fitting	D0F9-879	59A	Flange Spacer	R3F-286
49	Wick	AG3-560A	61	Wheel Flange	
50	Washer (2)	DG20-278		for models ending in A, AV	AG3-713M
51	Upper Arbor Bearing (2)	80123136		for models ending in P1045, P105, P106	AG3-337-5
	Handle Assy	AG3-A48		for models ending in P945, P95, P96	AG3-337-5M
52	Handle	HG2-48		Flange Nut	
53	Bracket	AG3-766		for models ending in P1045, P105, P106	AG3-338-5
54	Screw	80217243		for all other models	AG3-338-5M
55	Bevel Gear Nut	95085916	62	Wheel Retaining Washer	LG2-218
56	Lower Arbor Bearing	AG3-105	64	Wheel Retaining Screw	LG2-219M
57	Arbor Bearing Cap	AG3-18	64A	Hex Key (4mm)	AG2-562
Additional parts for all G3L models (Except G3L086)				Accessories for all wheel models	
A	Bearing Nut	AG3-85	65	Flange Nut Wrench	AG3-26M
B	Arbor Coupling	61H-304	66	Arbor Wrench	AG230-340M
C	Bearing Nut Assembly	61H-A85		Additional parts for models ending in G4 and G4M	
D	Retaining Ring	P4800-119	67	Collet Arbor	AG3-4-G4
E	Sleeve	AG3-176	68	Collet	
F	Extension Housing	AG3-20L		for models ending in G4M	G-160HD-700-1/4
G	Spring Washer (2)	7AH-278		for models ending in G4M	G160HD-700-6MM
H	Bearing	WFS182-22	69	Collet Nut	AG3-4-95DG120-699A
J	Extension Arbor	AG3-4		Accessories for models ending in G4 and G4M	
K	Bearing	AG3-24	70	Collet body Wrench	DG10-69
Additional parts for all G3A wheel models			71	Collet nut Wrench	DG120-69
58	Arbor			Accessories for all models	
	for models ending in P1045, P105, P106	AG3-4-105	72	Clamp Nut Wrench	AG3-253
	for models ending in P945, P95, P96	AG3-4-95			

G3L086 Series (Angle) Air Grinder and Sander Exploded Diagram - End



(Dwg. 10561439)

G3L086 Series (Angle) Air Grinder and Sander Parts List - End

Item	Part Description	Part Number	Item	Part Description	Part Number
Additional parts for all G3L086 models			Additional parts for all G3L086 wheel models		
73	Bearing Nut	AG3-85	96	Guard Adapter Assembly	AG2-A710
74	Arbor Coupling	61H-304	97	Guard Adapter Screw	95223151
75	Bearing Nut Assembly	61H-A85		Wheel Guard Assembly	LA3-A106-5-EU
76	Retaining Ring	R4800-119	98	Wheel Guard	LA3-106-5-EU
77	Sleeve	AG3-176	99	Guard Warning Label	AG2-99G
78	Extension Housing	AG3-20	100	Guard Lock Washer (3)	R2-320-10
79	Spacer	80219496	101	Guard Mounting Screw (3)	AG31-667-4
80	Washer (2)	7AH-278	102	Wheel Flange	LG3-337-45M
81	Bearing	WFS182-22	103	Flange Nut	AG230-338-45M
82	Extension Arbor	LA3-4	104	Wheel Retaining Screw Washer	LG2-218
83	Bearing	LG2-24	105	Wheel Retaining Screw	LG2-219M
84	Bevel Gear Assembly	LA2-A552-1.7	Accessories For all G3L wheel models		
85	Handle	HG2-48	65	Flange Nut Wrench	AG3-26M
86	Angle Head Assembly	AG2-A5505	66	Arbor Wrench	AG230-340M
87	Clamp Spacer	LA2-46	Accessories For all G3L Sanders		
88	Clamp Nut	LG2-27	70	Arbor Wrench	DG10-69
89	Grease Fitting	D0F9-879	Accessories for all models		
90	Upper Arbor Bearing	AG210-693	72	Clamp Nut Wrench	AG3-253
91	Wick	LA2-560			
92	Bevel Gear Locknut	LA2-578			
93	Front Arbor Bearing	LA2-593			
94	Arbor Bearing Cap	AG20-531			
95	Arbor				
	for models ending in S10	LA52-204-P10			
	for models ending in PP95	AG230-4-945			

Parts and Maintenance

When tool life has expired, it is recommended that the tool be disassembled, degreased and parts separated by material for proper recycling.

Tool repair and maintenance should only be carried out by an authorized Service Center.

Refer all communications to the nearest **Ingersoll Rand** office or distributor.

Related Documentation

Manuals can be downloaded from ingersollrandproducts.com

For additional information, refer to:

Product Safety Information Manual 04584959, 04580288 and 04580387.

Product Information Manual 80153208, 80153190 and 80223241.

ingersollrandproducts.com

© 2018 *Ingersoll Rand*

