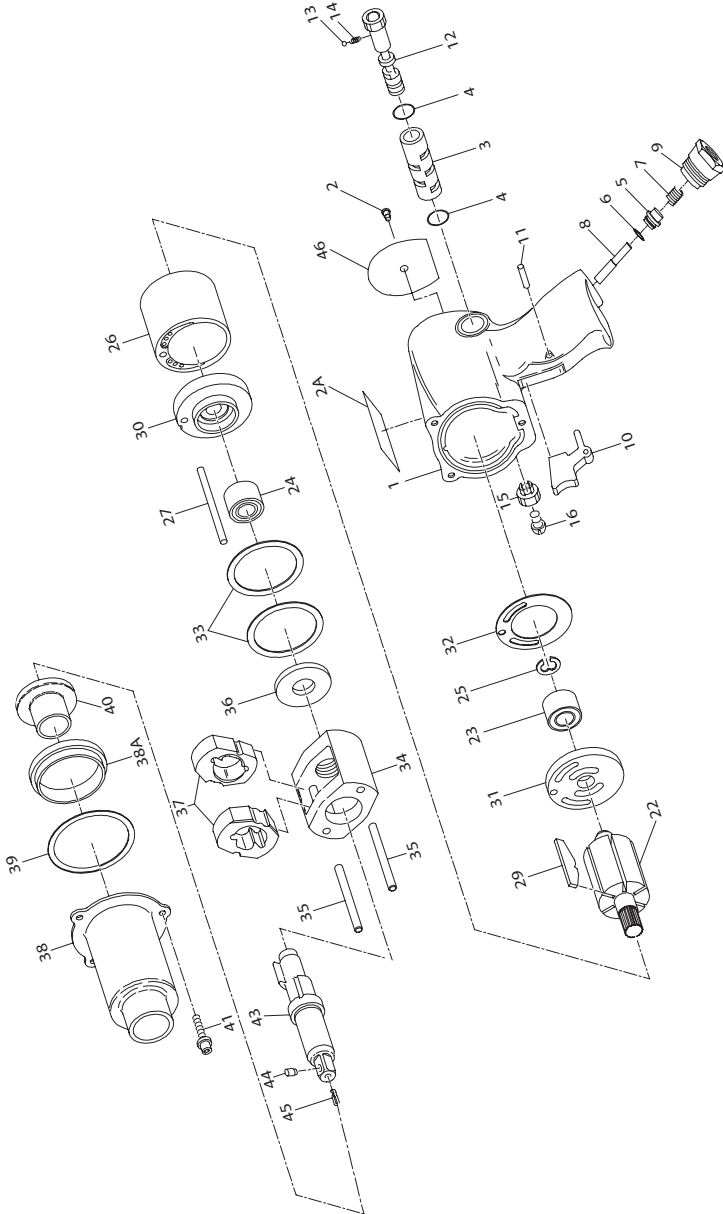


Model 2705P1 Air Impact Wrench - Exploded View



(Dwg. TPA800-7)



Model 2705P1 Air Impact Wrench - Parts List

Item	Part Description	Part Number	Item	Part Description	Part Number
	Motor Housing Assembly	231C-A40	◆ 29	Vane Packet (set of 6 Vanes)	2131-42A-6
1	Motor Housing	231C-40Y	30	Front End Plate	231-11
2	Grease Fitting	130SR-188	31	Rear End Plate	231-12
2A	Housing Label	WARNING-2-99	◆ 32	End Plate Gasket	231-283
3	Reverse Valve Bushing	231-A330	33	Motor Clamp Washer (2)	227-207
◆ 4	Reverse Valve Bushing Seal (2)	PS3-67	34	Hammer Frame Assembly	2131-A703
5	Throttle Valve Assembly	404-50A	35	Hammer Pin (2)	231-704
◆ 6	Throttle Valve Face	405-159	36	Hammer Frame Rear Washer	231-706
◆ 7	Throttle Valve Spring	R1A-51	37	Hammer (2)	2131-724
8	Throttle Valve Stem	402-302	38	Hammer Case Assembly	131-A727-70
9	Air Strainer Assembly	402-565	38A	Hammer Case Pilot	405-800
10	Trigger	705-93	◆ 39	Hammer Case Gasket	230-36
11	Trigger Pin	533-656	40	Hammer Case Bushing	705-941
11A	Plug	502-95	41	Hammer Case Cap Screw (3)	131-638
12	Reverse Valve	231-329A	41A	Hammer Case Lockwasher (3)	131-637
◆ 13	Reverse Valve Detent Ball	AV1-255	43	Anvil Assembly (with pin-type retainer)	231B-726
◆ 14	Reverse Valve Detent Spring	231-664	◆ 44	Socket Retaining Plunger	804-716
15	Reverse Valve Knob	231-666	◆ 45	Plunger Spring	5UHD-718
16	Reverse Valve Knob Screw	231-665	46	Nameplate	2705P1-301
22	Rotor	231-53	*	Tube of Grease	405-MG1
◆ 23	Rear Rotor Bearing	402-22	*	Lube Injector	230-228
◆ 24	Front Rotor Bearing	4U-97	*	Bottle of Oil	405-M01
◆ 25	Rear Rotor Bearing Retainer	402-118	*	Tune-up Kit (includes illustrated parts 4 (2), 6, 7, 13, 14, 23, 24, 25, 29, 32, 39, 44, 45) and (non-illustrated part R1-75)	2705-TK3
26	Cylinder	231XP-3			
27	Cylinder Dowel	230-98			

* Not illustrated.

◆ Indicates Tune-up Kit part.

Parts and Maintenance

When the life of the tool has expired, it is recommended that the tool be disassembled, degreased and parts be separated by material so that they can be recycled.

Tool repair and maintenance should only be carried out by an authorized Service Center.

Refer all communications to the nearest **Ingersoll Rand** Office or Distributor.

Related Documentation

For additional information refer to:

Product Safety Information Manual 04580916.

Product Information Manual 04578183.

Maintenance Information Manual 16601023.

Manuals can be downloaded from ingersollrandproducts.com