



**P6921**  
**03537651**  
Edition 15  
January 2014

# Turbine Powered Starters

Series ST700

---

# Installation and Maintenance Information

**EN** Installation and Maintenance Information

**ZH** 安装和维护信息

**JA** 据付および保守の情報



Save These Instructions

 **Ingersoll Rand**

## Product Safety Information

### Intended Use:

These air starters are intended for use in starting reciprocating internal combustion engines. These starters are designed to be operated from a remote location after proper installation on the engine requiring starting.

For additional information refer to Air Starters for Internal Combustion Engines Product Safety Information Manual Form 45558624.

Manuals can be downloaded from [ingersollrandproducts.com](http://ingersollrandproducts.com)

## Placing the Starter in Service

### Installation

#### NOTICE

For maximum performance, read this manual prior to the installation or operation of Series ST700 Turbine-Powered Starters.

### General Information

- It is strongly recommended that on all vehicular installations and on stationary engines subject to vibration, that hoses of the specified diameter be used instead of rigid pipe connections to the starter. Vehicle and engine vibration will soon loosen rigid pipe connections, whereas hoses will absorb the vibration, and connections will remain tight.
- This starter is designed for flange mounting at the inlet. The furnished Flange Mounting Kit is required for installation. All piping, hoses and valving must be clean prior to installation. Make sure that the starter inlet remains free of dirt and foreign material during installation.
- In the actual mounting of a starter, it may be best to have the hose connections already made at the receiver and to have the starter end of the hose handy for attaching to the starter.
- Engine design often demands that the starter be mounted underneath in extremely close quarters, and even though two of the mounting bolt holes are easy to reach, the third one is often less accessible. To install a starter, the following tools are required: regular ratchet wrench, sockets, universal joint, socket extension and a single or double-end box wrench.
- The efficiency of an Air Starter can be greatly impaired by an improper hook-up. Hoses smaller than those recommended will reduce the volume of air to the motor and the use of reducers for piped-away applications in the exhaust port will restrict the exhaust causing back pressure to the motor resulting in reduced performance. The number of tees and elbows, and the length of the supply line should be kept to a minimum. Use 1-1/2" hose or pipe for supply lines up to 15 feet long; use 2" hose or pipe if the supply line is over 15 feet long.
- A leak in any of the connections in live air lines means that the system will drain overnight and will have to be repressurized the next morning by use of another vehicle or compressor. **Make your connections bubble tight to avoid unnecessary costs and delays.** On all threaded connections throughout the system, use **Ingersoll Rand** No. SMB-441 Sealant, non-hardening No. 2 Permatex or Loctite\*\* Pipe Sealant.

After all connections have been made, check each joint with a soap bubble test. There must be no leaks in live air lines. The slightest leak will cause the system to lose pressure overnight. Always run the air supply line from the side or top of the receiver, never at or near the bottom. Moisture in the air collects at the bottom of the receiver resulting in damage which could cause the valves to become inoperative. Periodically open the petcock at the bottom of the tank to drain the water.

- Whenever a hazardous gas is being used to operate the starter, **there must be no leaks in inlet or exhaust piping or from any other starter joints. All discharges should be piped away to a safe area.**

- We recommend installation of a "glad hand" for emergency re-pressurizing of the system. To keep the "glad hand" clean and free of dirt, and to protect it from damage, a second "glad hand" closed by a pipe plug can be mated to it, or a "glad hand" protector bracket can be used.
- It is **required** that a strainer be installed in the inlet line for each starter.

**Ingersoll Rand** offers 5 strainers:

ST900-267-24 for 1-1/2 inch lines,  
ST900-267-32 and ST900-267-32F for 2 inch lines,  
ST900-267-48 for 3 inch lines and  
ST900-267-64 for 4 inch lines.

These 300 mesh strainers provide 50 micron filtration and offer significant protection against supply line contaminants which could damage the turbine components. Replacement elements are:

ST900-266-24 for 1-1/2 inch,  
ST900-266-32 for 2 inch pipe thread,  
ST900-266-32F for 2 inch flange,  
ST900-266-48 for 3 inch flange and  
ST900-266-64 for 4 inch lines.

### Orientation of the Starter

It is recommended that starters be ordered to proper orientation for your specific mounting to the required engine or for your specific installation. However, if the starter must be reoriented for installation, proceed as follows:

- Refer to the dimension illustration on page EN5, EN6 and EN7 and note that the Drive Housing can be located in any one of sixteen radial positions relative to the Gear Case and the air inlet can be located in any one of four radial positions relative to the Drive Housing.
- Study the engine mounting requirements, and determine the required orientation of the Drive Housing relative to the Gear Case. If the Drive Housing has to be reoriented, remove the eight Drive Housing Cap Screws and rotate the Drive Housing to its required position. Separation of the Drive Housing from the Gear Case is not required. Reinstall the Drive Housing Cap Screws and tighten to 28 ft-lb (38 Nm) torque.
- After the Drive Housing is properly oriented relative to the Gear Case, determine if the inlet port will be favorably located for hose installation. If either or both of these members must be reoriented, use an 8 mm hex-head wrench to remove the four motor housing cover cap screws, and rotate the motor housing and/or motor housing cover to its desired position.

#### NOTICE

**Do not separate the Motor Housing from the Intermediate Gear case as gear lubrication oil will be lost.**

Reinstall the motor housing cover cap screws and alternately tighten them to 60 ft-lb (81.4 Nm) torque in 20 ft-lb (27 Nm) increments.

### Mounting the Starter

- Study the appropriate piping diagrams on page 8 through 11 and install as indicated.
- The air receiver tank for a starter installation must have a working pressure rating equal to or greater than the maximum pressure at which the starter will be operated.

\* Registered trademark of Loctite Corporation.

- When connecting the starter to a receiver tank that is already in service, bleed off the air pressure in the tank prior to installing the starter.

**WARNING**

**Bleed off the air pressure through a valve or petcock. Do not remove a plug from the tank while the tank is still pressurized.**

Drain off any water that may have accumulated in the bottom of the tank.

- Using a 1-1/2" short nipple, install the SRV150 Starter Relay Valve on the end of the receiver tank as shown in the piping diagram.

**NOTICE**

**Make certain the connection is made to the inlet side of the Relay Valve indicated by the word "IN", cast on the valve body.**

- For air installations, install the Starter Control Valve (SMB-618) on the dash panel (for vehicular installations) or some other appropriate panel (for stationary installations). An optional control circuit utilizing an electric solenoid control valve and a panel mounted switch are available. Mount the 12V Solenoid Valve (150BMP-1051B) securely and preferably in a vertical position away from any concentration of heat, vibration or contamination. Connect the leads to the operator's starting switch which should be located on the dashboard or control panel.
- Attach Starter Instruction Label (TA-STR-100) to the control panel adjacent to the Starter Control Valve.
- Mount the Air Pressure Gauge (150BMP-1064) on or adjacent to the control panel. It should be located where it is readily visible to the operator.
- Connect the Starter Control Valve to the Relay Valve with 1/4" hose. Install a tee in this line with a short feeder hose to the Pressure Gauge.

**NOTICE**

**Make certain the hose is connected to the supply side (marked "SUP") of the Starter Control Valve.**

- To determine the exact length of 1-1/2" air hose required, run a piece of heavy duty hose or some other flexible tubing of the same diameter from the Relay Valve on the receiver to the starter location on the engine.
- Attach the 1-1/2" air hose to the outlet side of the Relay Valve, and run the hose through the frame, etc. to its final position at the starter location.
- At this point, determine whether or not it is feasible or practical to attach the hose to the starter before or after the starter is actually mounted. In many cases it may be necessary to attach the hose to the starter before mounting.
- If possible, liberally grease the teeth on the ring gear with a good quality sticky gear grease. This will help promote the life of the ring gear and the starter Pinion.
- Move the starter into position, and mount it on the flywheel housing. Tighten the mounting bolts to 100 ft-lb (136 Nm) torque.

- For Pre-Engaged Models**, install a 1/4" hose line from the delivery side (marked "DEL") of the starter Control Valve or Solenoid Valve to the "IN" port on the Starter Drive Housing.

**NOTICE**

**Inadvertent application of air pressure to the "OUT" port will result in Drive malfunction (Pinion will fail to retract). If this condition occurs, loosen Drive Housing Cap Screws (38) to vent Gear Case (28). Also, loosen Housing Plugs (10) and (11) to vent Motor.**

- Install a 1/4" hose line from the "OUT" port on the Starter Drive Housing to the small pipe tapped portion top of the Starter Relay Valve or Solenoid Valve.
- If the exhaust is to be piped away, remove the standard Splash Deflector which is located at the rear of the Housing Exhaust Cover and replace the Assembly with the 1/4" N.P.T. pipe plug supplied with the starter.
- Pressurize the complete starting system and check every connection with a soap bubble test. **There must be no leaks in live air lines or other connections.**

**Barring Over the Engine**

Occasionally, for setting injectors and/or for timing purposes, it may be desirable to bar over the engine in such a manner that any given piston can be stopped at any given location. This is very easily done with a Series ST700 Turbine Starter. Remove the Deflector Retaining Screw (5), the Deflector Return Spring (4) and the Splash Deflector (3). If piped-away exhaust is being used, remove piping so that you can gain access to the hole at the center of the Housing Exhaust Cover. Remove the 1/4" pipe plug.

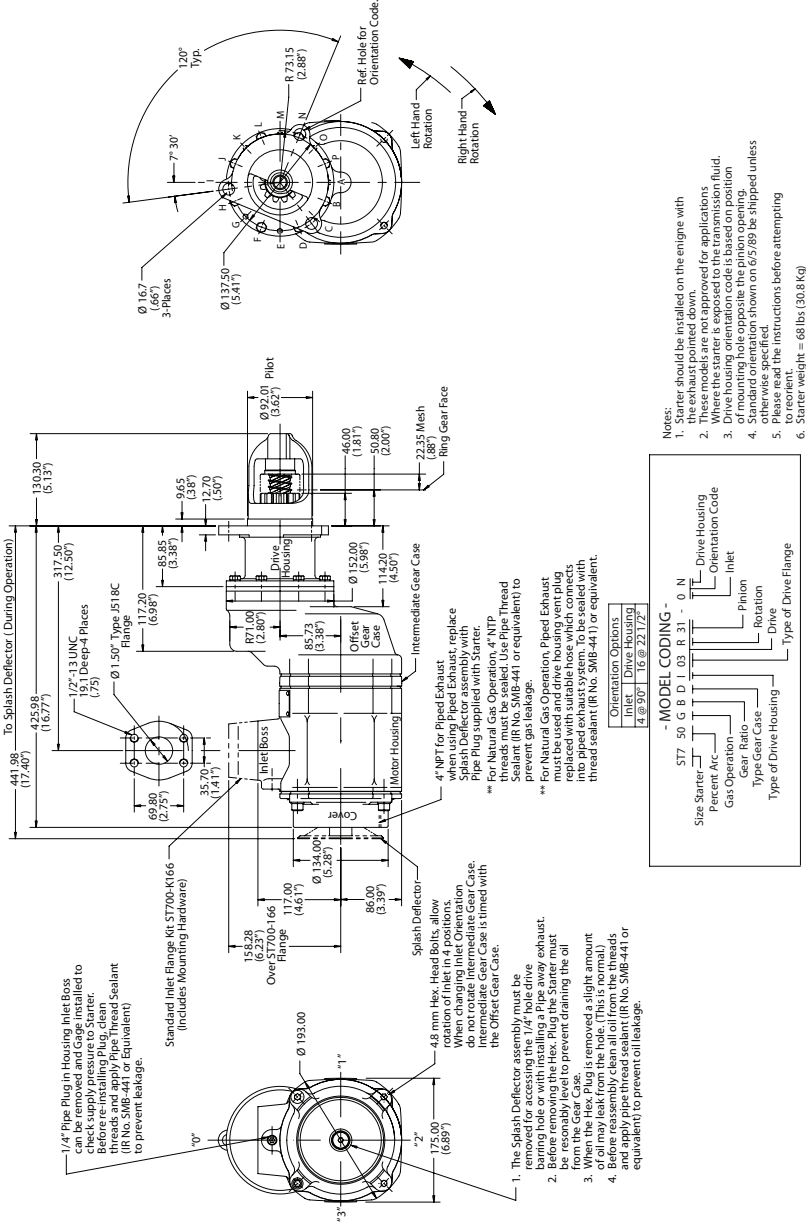
**For Models with Inertia Drive:**

- Manually engage pinion and insert a 1/4" hex wrench through the hole in the Housing Cover to engage the hex drive recess at the rear of the Motor Assembly.
- Manually rotate the Motor Assembly until the engine is cranked to the desired position.

**For Models with Pre-Engaged Drive**

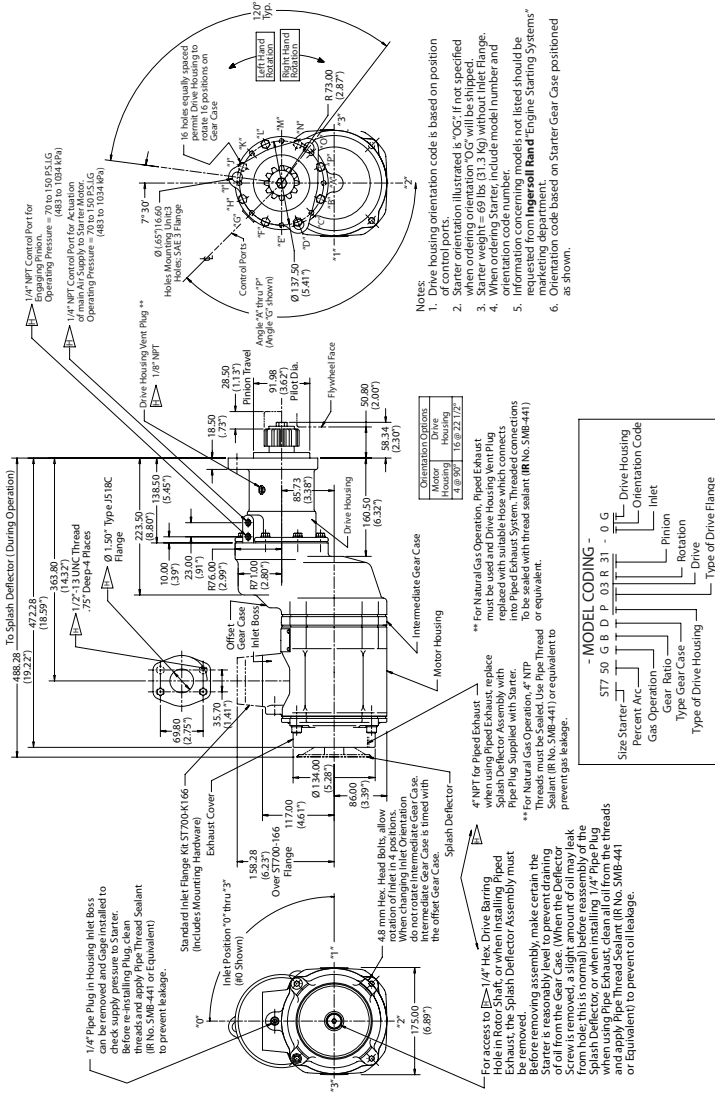
- Disconnect the 1/4" hose at the "OUT" port on the Drive Housing, and plug the hole in the Drive Housing with a 1/4" pipe plug.
- Engage the Drive Pinion with the flywheel by applying a minimum of 70 psig (4.8 bar/483 kPa) to the "IN" port on the Drive Housing.
- Insert a 1/4" hex wrench through the hole in the Housing Exhaust Cover to engage the hex drive recess in the rear of the Motor Assembly.
- Manually rotate the Motor Assembly until the engine is cranked to the desired position.

ST700 Inertia Mounting Dimensions



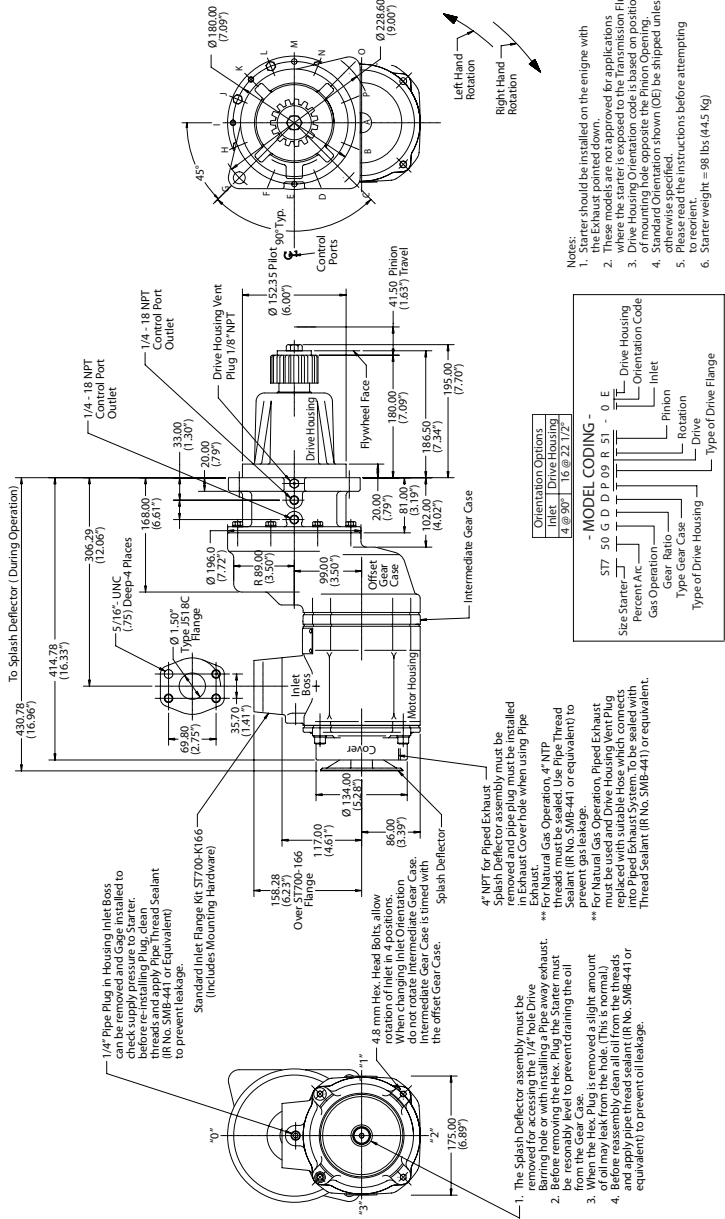
(Dwg. TPA1276-4)

Mounting Dimensions



(Dwg. TPA1277-5)

ST700 Pre-Engaged Mounting Dimensions

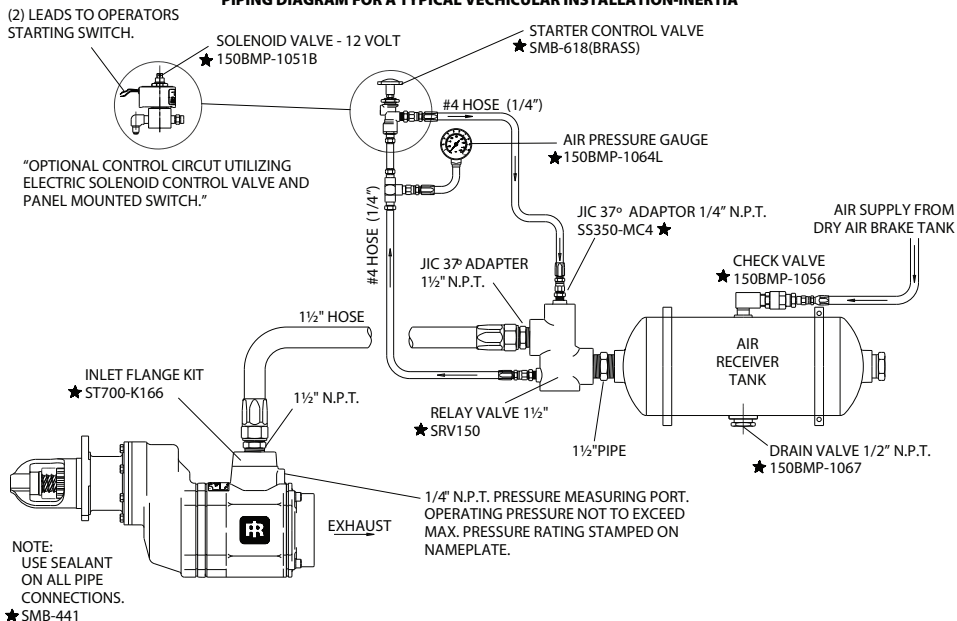


(Dwg. TPA1278-4)

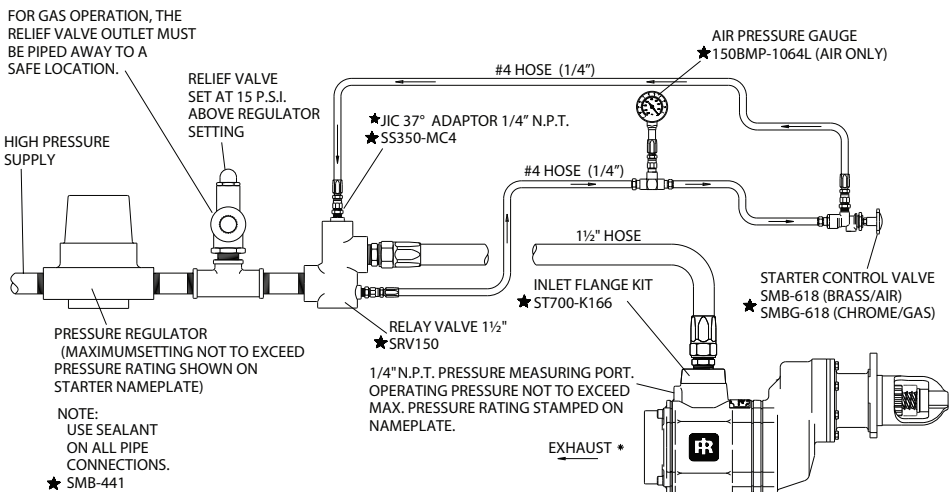


**Piping Diagrams**  
**Inertia Type System (Series ST700 Shown)**

**PIPING DIAGRAM FOR A TYPICAL VECHICULAR INSTALLATION-INERTIA**



**PIPING DIAGRAM FOR A TYPICAL STATIONARY INSTALLATION-INERTIA**



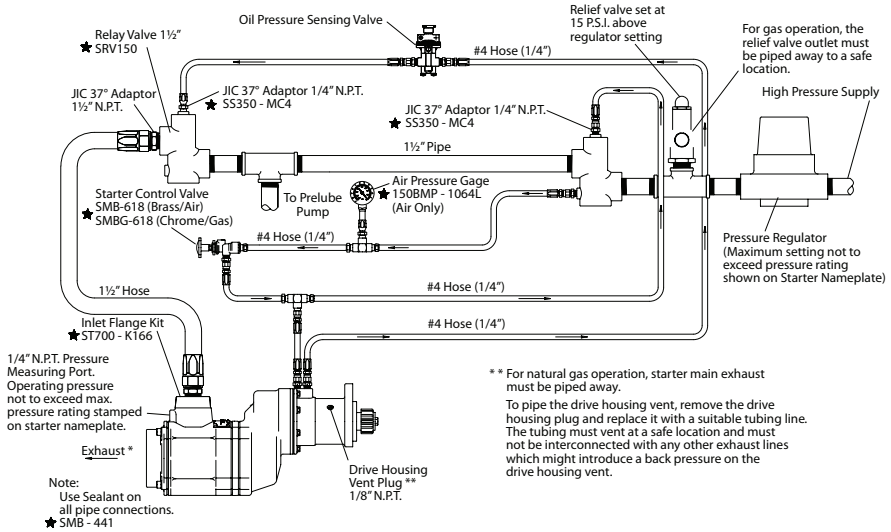
•• FOR NATURAL GAS OPERATION, STARTER MAIN EXHAUST MUST BE PIPED AWAY. TO PIPE THE DRIVE HOUSING VENT, REMOVE THE DRIVE HOUSING PLUG AND REPLACE IT WITH A SUITABLE TUBING LINE. THE TUBING MUST VENT AT A SAFE LOCATION AND MUST NOT BE INTERCONNECTED WITH ANY OTHER EXHAUST LINES WHICH MIGHT INTRODUCE A BACK PRESSURE ON THE DRIVE HOUSING VENT.



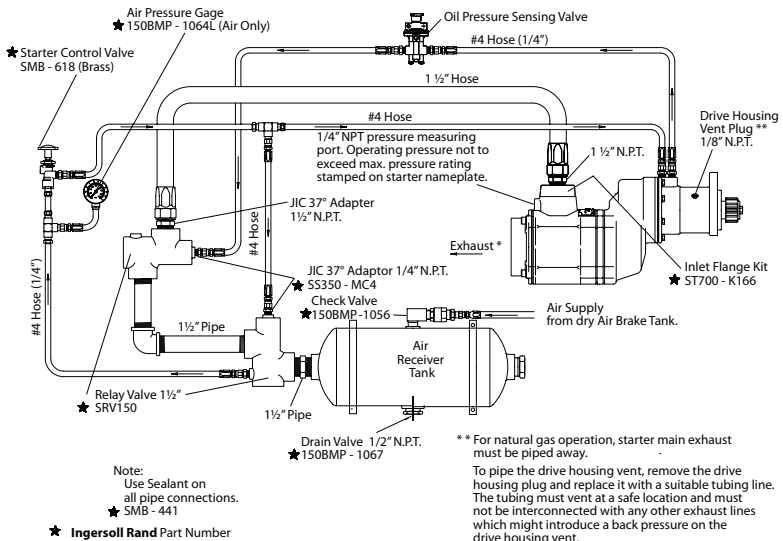
Piping Diagrams

Pre-Engaged System (Series ST700 Shown)

Typical Installation with Engine Prelube System when Supply Pressure is over Rated Starter Pressure



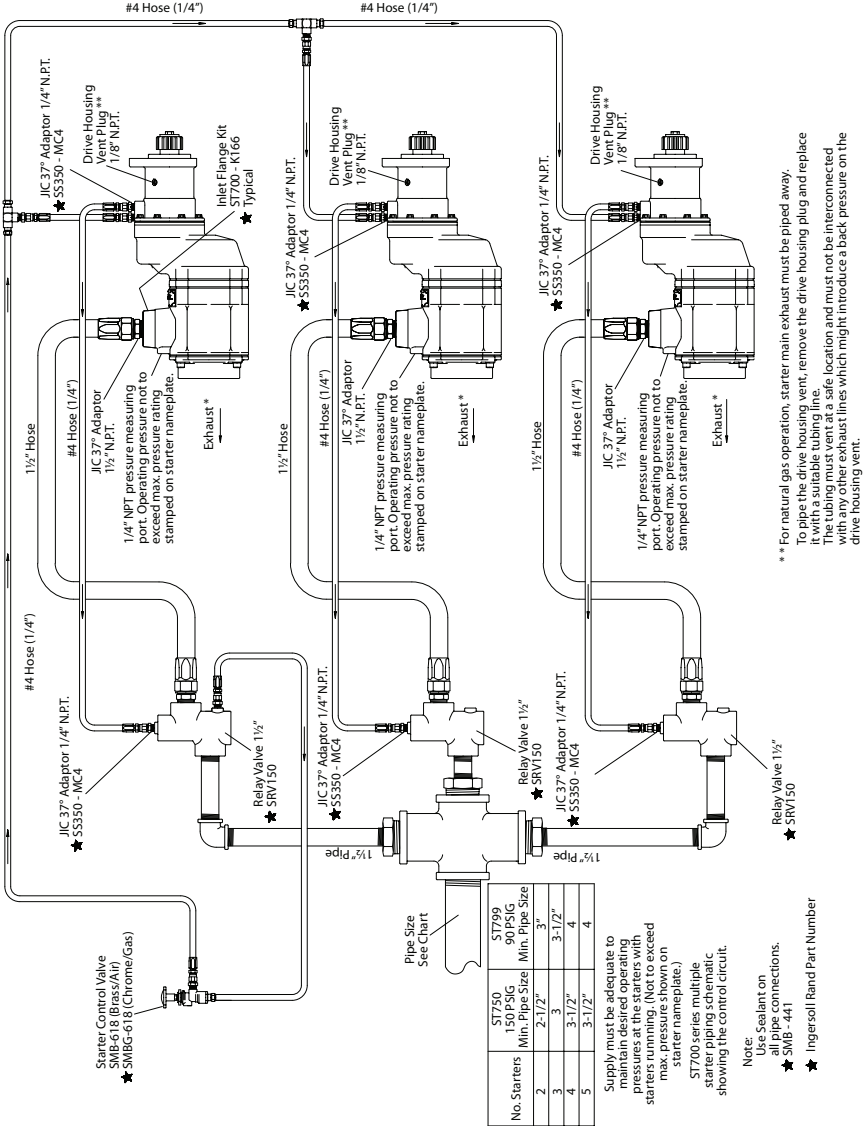
Typical Installation with Engine Prelube System



(Dwg. TPA1281-3)

Piping Diagrams

Typical Multiple Starter Installation



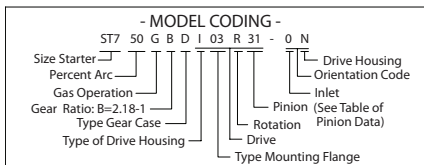
(Dwg. TPA1284-4)

**Product Information**

**Intended Use:**

Series ST700 Turbine Powered Starters are designed for air or gas operation in off-highway, marine and stationary applications.

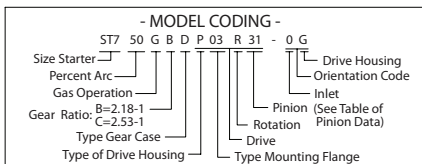
**How to order a Starter**



(Dwg. TPD1176)

Model	Supply Pressure PSIG/Kpa Max. *	Pinion Data			
		IR No.	No.of Teeth	D.P.	P.D. $\frac{P.D.}{PA}$
ST750GBDI03R31	150/1034	208M-299-1	12/12	6/8	2.00" 20°
ST750GBDI03L32	150/1034	208M-299-3	12/12	6/8	2.00" 20°
ST799GBDI03R31	90/621	208M-299-1	12/12	6/8	2.00" 20°
ST799GBDI03L32	90/621	208M-299-3	12/12	6/8	2.00" 20°

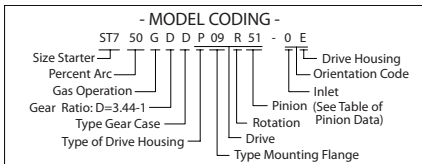
Must be specified when ordering



(Dwg. TPD1177)

Model	Supply Pressure PSIG/Kpa Max. *	Pinion Data			
		No.of Teeth	D.P.	P.D. $\frac{P.D.}{PA}$	PA
ST750GBDP03R31	150/1034	12/12	6/8	2.00"	20°
ST750GBDP03L32	150/1034	12/12	6/8	2.00"	20°
ST750GCDP03R25	150/1034	12/12	6/8	2.00"	20°
ST750GCDP03L26	150/1034	12/12	6/8	2.00"	20°
ST799GBDP03R31	90/621	12/12	6/8	2.00"	20°
ST799GBDP03L32	90/621	12/12	6/8	2.00"	20°
ST799GCDP03R25	90/621	12/12	6/8	2.00"	20°
ST799GCDP03L26	90/621	12/12	6/8	2.00"	20°

Must be specified when ordering



(Dwg. TPD1178)

Model	Supply Pressure PSIG/Kpa Max. *	Pinion Data			
		No.of Teeth	D.P.	P.D. $\frac{P.D.}{PA}$	PA
ST750GDDP09R51	150/1034	15	6/8	2.50"	20°
ST750GDDP09L52	150/1034	15	6/8	2.50"	20°
ST799GDDP09R51	90/621	15	6/8	2.50"	20°

Must be specified when ordering

**For different models or special applications, contact your nearest Ingersoll Rand Distributor or SALES HEADQUARTERS, Engine Starting Systems, P.O. Box 1776, Liberty Corner, NJ 07938, Phone (908) 647 - 6000.**

## 产品安全信息

### 用途:

此类空气启动器应用于往复内燃机的启动。此类启动器应在正确安装到需要启动的内燃机后，进行远程操作。

更多信息请参见内燃机空气启动器产品安全信息手册表 45558624。

手册可从 [www.irtools.com](http://www.irtools.com) 下载。

## 使启动器处于使用状态

### 安装

#### 注意

为获得最大性能，请在安装或操作 ST700 系列涡轮增压器启动器 (Series ST700 Turbine-Powered Starters) 之前阅读本手册。

### 一般信息

1. 强烈建议在受到振动的所有车载装置和固定发动机上，应该使用指定的软管而非刚性管来连接至启动器。车辆和发动机运动会很快松动刚性管连接，而软管会缓冲此振动，从而使连接保持紧固。
2. 该启动器供在进口处的法兰装置之用。在安装时需要提供的法兰装置套件。在安装前，必须清洁所有管道、软管和装设阀门。在安装期间，请确保启动器进口没有污物和异物。
3. 在实际安装启动器的过程中，最好在接收器中连接软管，并使软管的启动器末端便于连接到启动器。
4. 通常，发动机设计要求启动器应安装在向下近四分之一处，而且虽然其中两个装配螺栓孔易于触及，但是第三个孔却常常难以触及。要安装启动器，需要以下工具：棘轮扳手、套筒、万向接头、伸缩套筒和单头或双头套筒扳手。
5. 连接不当会大大削减气动启动器的效率。使用小于所建议尺寸的软管将会使进入马达中的压缩空气量减少，而且使用在排气管端口内的排放装置（即渐缩管）将会限制排气（对导致性能降低的发动机造成反压力）。三通和弯头的数量以及供应管线的长度都应最小化。如果供应管线长达 15 英尺，可使用 2" 软管或管道；如果供应管线超过 15 英尺，可使用 2" 软管或管道。
6. 活动空气管道中的任何连接装置出现泄漏状况都表明，系统将会整夜排放并必须在第二天早上通过使用另一台车辆或压缩机来增压。使连接气泡紧密以避免不必要的费用和延迟。在整个系统的所有螺纹连接装置上，使用 **Ingersoll Rand No. SMB-441 Sealant**、非硬化的 No. 2 Permatex 或 Loctite® Pipe Sealant。
- 在进行所有连接后，可使用肥皂气泡测试检查每个接头。在活动空气管道中一定不能出现泄漏状况。稍有泄漏便会导致系统很快失压。务必从接收器的侧面或顶部运行空气供应管线，切勿在底部或底部附近运行。空气中的水分聚集在接收器的底部，便可能导致阀门损坏以致无法使用。定时打开箱底部的小龙头以排出水份。
7. 无论何时使用危险气体来操作启动器，都必须确保进口或排出管道或任何其他启动器的接头处不会出现泄漏状况。应将所有排出物排放到安全地方。
8. 对于系统的紧急增压，我们建议使用 "glad hand" 安装。要保持 "glad hand" 干净和没有污物，并保护其免受损坏，可将其连接到由管道塞子密封的第二个 "glad hand"，或可使用 "glad hand" 保护器托架。
9. 需要在每个启动器的进口管线中安装滤水器。**Ingersoll Rand** 提供 5 个滤水器：  
ST900-267-24 (1-1/2 英寸管线)，  
ST900-267-32 和 ST900-267-32F (2 英寸管线)，  
ST900-267-48 (3 英寸管线) 和  
ST900-267-64 (4 英寸管线)。  
该 300 网滤水器具有 50 微米滤芯，可有效保护供应管线免受污染（这可能会损坏涡轮组件）。更换元件有：  
ST900-266-24 (1-1/2 英寸)，  
ST900-266-32 (2 英寸管螺纹)，  
ST900-266-32F (2 英寸法兰)，  
ST900-266-48 (3 英寸法兰) 和  
ST900-266-64 (4 英寸管线)。

\* Loctite Corporation 的注册商标。

### 启动器的定向

建议启动器应该根据所需发动机的特殊装置或特殊设备进行正确定向。但是，如果启动器因安装而必须重新定向，可按照以下步骤操作：

1. 请参阅第 EN5、EN6 和 EN7 页的尺寸图示。另请注意，传动箱可位于与齿轮箱相对的 16 个径向位置中的任一处，并且空气进口阀可位于与传动箱相对的 4 个径向位置中的任一处。
2. 学习发动机安装要求，并确定与齿轮箱相对的传动箱的所需定向。如果传动箱必须重新定位，可卸下 8 个传动箱有头螺丝，然后将传动箱旋转至所需位置。不需要分开齿轮箱和传动箱。重新安装传动箱有头螺丝，并旋紧至 28 英寸-磅 (38 牛米) 扭矩。
3. 在传动箱正确定向（相对于齿轮箱）之后，请确定进气口是否有利于软管安装。如果以上任意一个或两个装置都必须重新定向，可使用 8 mm 六角扳手卸下 4 个电动机外壳盖有头螺丝，然后将马达外壳和/或马达外壳盖旋转至所需位置。

#### 注意

由于齿轮润滑油将会损耗，因此不可分开马达外壳和中间的齿轮箱。

重新安装马达外壳盖有头螺丝，并以 20 英寸-磅 (27 牛米) 为增量交替地将其旋紧至 60 英寸-磅 (81.4 牛米) 扭矩。

### 安装启动器

1. 学习第 8 至 11 页的相应管道布置图，并根据指示进行安装。
2. 启动器装置的最大气接收箱必须具有工作压力（等于或大于启动器将会操作的最大压力）。
3. 将启动器连接到已在使用的接收箱时，可在安装启动器之前排出箱中的气压。

#### 警告

通过阀或旋塞排出气压。当储气罐仍处于增压状态时，切勿从箱上拔下塞子。

排出积聚在箱底部的水份。

4. 使用 1-1/2" 的短螺纹接管将 SRV150 启动器主启动阀安装在储气罐末端，如管道布置图所示。

#### 注意

确保连接到主启动阀的进口侧（用字母 "IN" 表示），并确保连接到阀座。

5. 对于通风装置，可在仪表板上（车载装置）或某些其他相应面板上（固定装置）安装启动器控制阀 (SMB-618)。可以使用利用电磁控制阀的可选控制电路和安装在面板上的开关。最好以垂直位置（远离集中热能、振动或污染的地方）安全地安装 12V 电磁阀 (150BMP-1051B)。将导线连接到操作者的启动开关（应位于仪表板或控制面板上）。
6. 将启动器说明标签 (TA-STR-100) 贴在邻近启动器阀的控制面板上。
7. 将压力表 (150BMP-1064) 安装在控制面板上或邻近控制面板处。它应位于操作者容易看到的地方。
8. 将启动器控制阀连接到具有 1/4" 软管的继动阀上。使用短软管将此管道中的三通管安装到压力计上。

#### 注意

确保将软管连接到启动器控制阀的电源侧（标为 "SUP"）。

9. 要确定所需的 1-1/2" 进气软管的确切长度，可重负荷运行软管设备或直径相同的某些其他挠性软管（从储气罐的主启动阀到发动机的起动机位置）。
10. 将 1-1/2" 进气软管连接到主启动阀的出口侧，并使软管从机架等穿过起动机处的最终位置。
11. 在此，可在实际安装起动机之前或之后，确定将软管连接到起动机是否可行或实用。在多数情况下，可能需要在安装之前将软管连接到起动机。
12. 如果可能，请使用优质粘性齿轮润滑油充分润滑环形齿轮上的齿。这将有助于延长环形齿轮和起动机小齿轮的寿命。
13. 将起动机各就其位，然后将其安装在飞轮壳上。旋紧安装螺栓至 100 英寸-磅（136 牛米）扭矩。
14. 对于预先安装的型号，可从起动机控制阀或电磁阀的出料侧（标为“DEL”）到起动机传动箱的“IN”端口安装 1/4" 软管管线。

### 注 意

- 不小心将气压应用到“OUT”端口将会导致传动发生故障（小齿轮将无法缩进）。如果发生此种情况，可旋松传动箱有头螺丝（38）以通风齿轮箱（28）。另外，可旋松外壳塞子（10）和（11）以通风电动机。
15. 从起动机传动箱的“OUT”端口到起动机主启动阀或电磁阀的小管道分接部分顶端安装 1/4" 软管管线。
  16. 如果要排出废气，可卸下标准防溅导向板（位于外壳废气盖尾部），并更换随附起动器的 1/4" N.P.T. 管道塞子的配件。
  17. 加压整个启动系统，并使用皂气测试检查各个连接。在活动空气管道或其他连接装置中一定不能出现泄漏状况。

## 发动机盘车

有时，为了设置喷油器和/或定时，可能需要以此方式（所提供的活塞可在任何给定地点停止）发动机盘车。这可通过 ST700 系列涡轮起动机轻易完成。

卸下导向板固定螺丝（5）、导向板回位弹簧（4）和防溅导向板（3）。如果使用排出的废气，可拆卸管道以便可以使用外壳废气盖中央的孔。卸下 1/4" 管道塞子。

### 对于具有惯性传动装置的型号：

1. 手动安装小齿轮，并通过外壳盖中的孔插入 1/4" 六角扳手以在马达组件尾部安装六角传动凹槽。
2. 手动旋转马达组件直至发动机弯曲到所需位置。

### 对于预先安装的传动装置的型号

1. 在传动箱的“OUT”端口拔下 1/4" 软管，并使用 1/4" 管道塞子堵住传动箱中的孔。
2. 通过将最小 70 psig（4.8 巴/483 kPa）应用于传动箱的“IN”端口，使用飞轮安装传动小齿轮。
3. 通过外壳废气盖中的孔插入 1/4" 六角扳手，以将六角传动槽安装到电动机配件尾部。
4. 手动旋转马达组件直至发动机运行到所需位置。





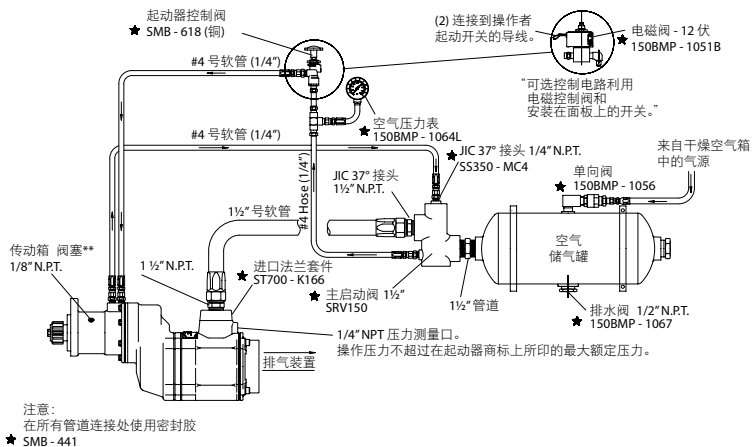




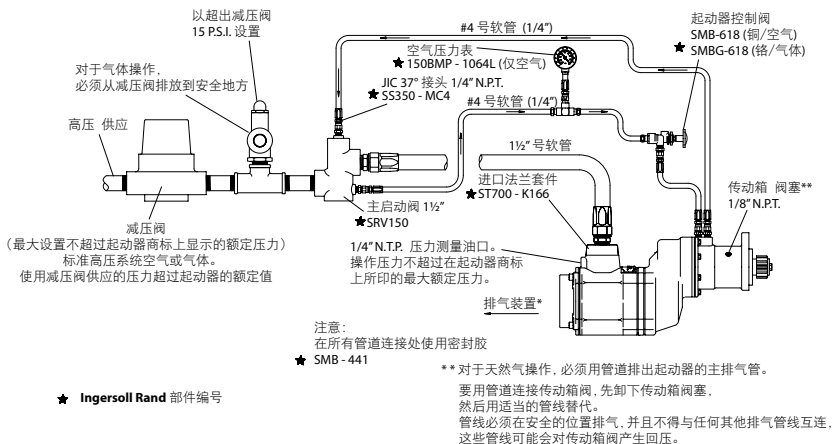
管道布置图

预啮合安装的系统 (显示 ST700 系列)

典型的车载安装



典型的固定安装

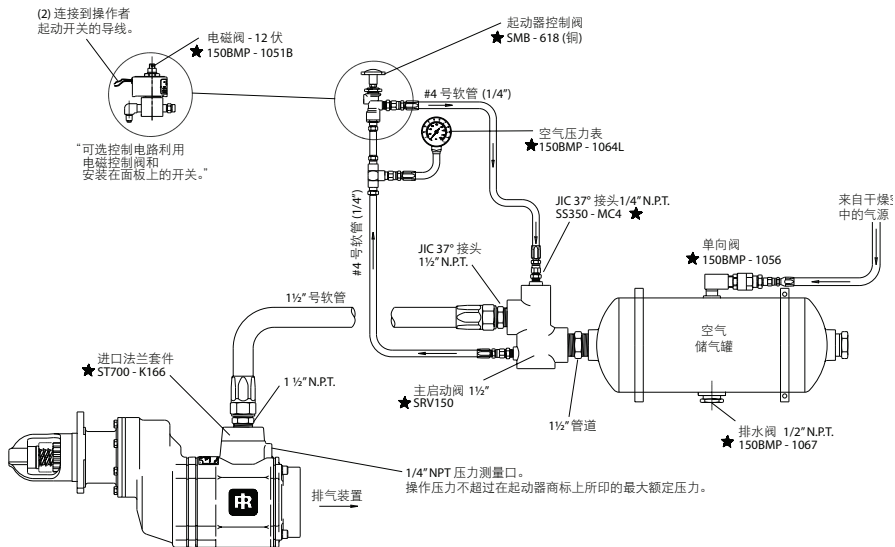


(图. TPA1282-3)

管道布置图

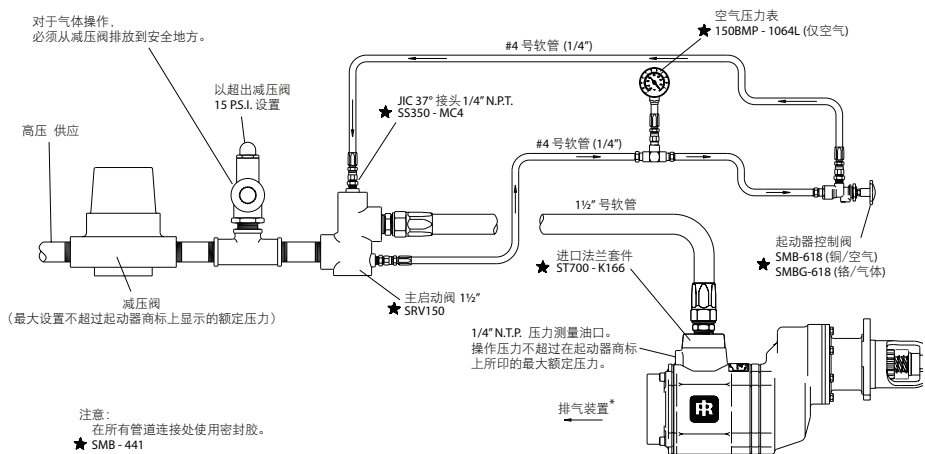
惯性啮合系统 (显示 ST700 系列)

典型的车载安装



注意：  
在所有管道连接处使用密封胶。  
★ SMB - 441

典型的固定安装



注意：  
在所有管道连接处使用密封胶。  
★ SMB - 441

★ Ingersoll Rand 部件编号

\*\* 对于天然气操作，必须用管道排出启动器的主排气管。

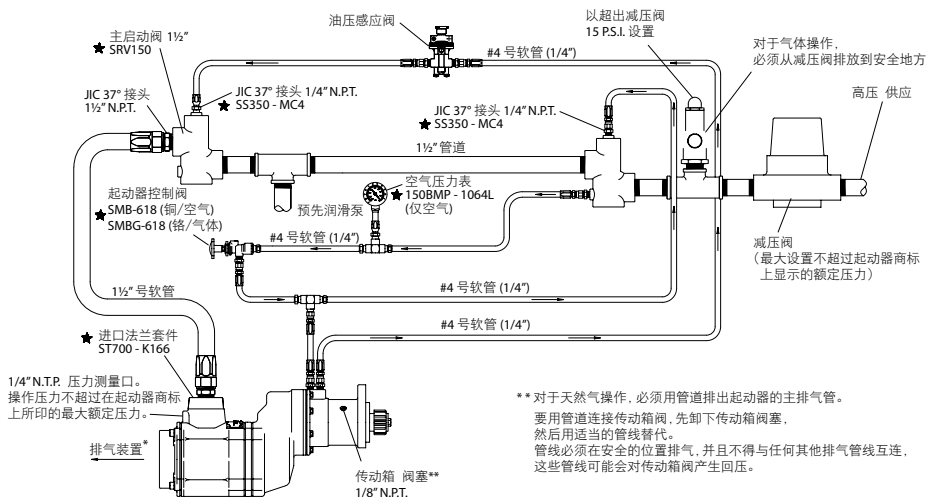
要用管道连接传动箱，先卸下传动箱阻塞。  
然后用适当的管线替代。

(图. TPA1283-3)

管道布置图

预啮合安装的系统（显示 ST700 系列）

具有发动机预先润滑系统的典型安装时供应压力超过起动机压力的安装形势。

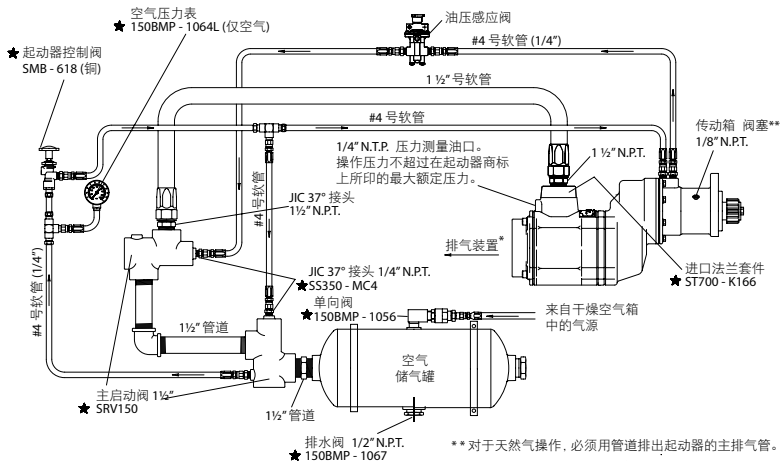


注意：  
在所有管道连接处使用密封胶。

★ SMB - 441

\*\* 对于天然气操作，必须用管道排出起动机的主排气管。  
要用管道连接传动箱阀，先卸下传动箱阀塞，  
然后用适当的管线替代。  
管线必须在安全的位置排气，并且不得与任何其他排气管线互连，  
这些管线可能会对传动箱阀产生回压。

具有发动机预先润滑系统的典型安装



注意：  
在所有管道连接处使用密封胶。

★ SMB - 441

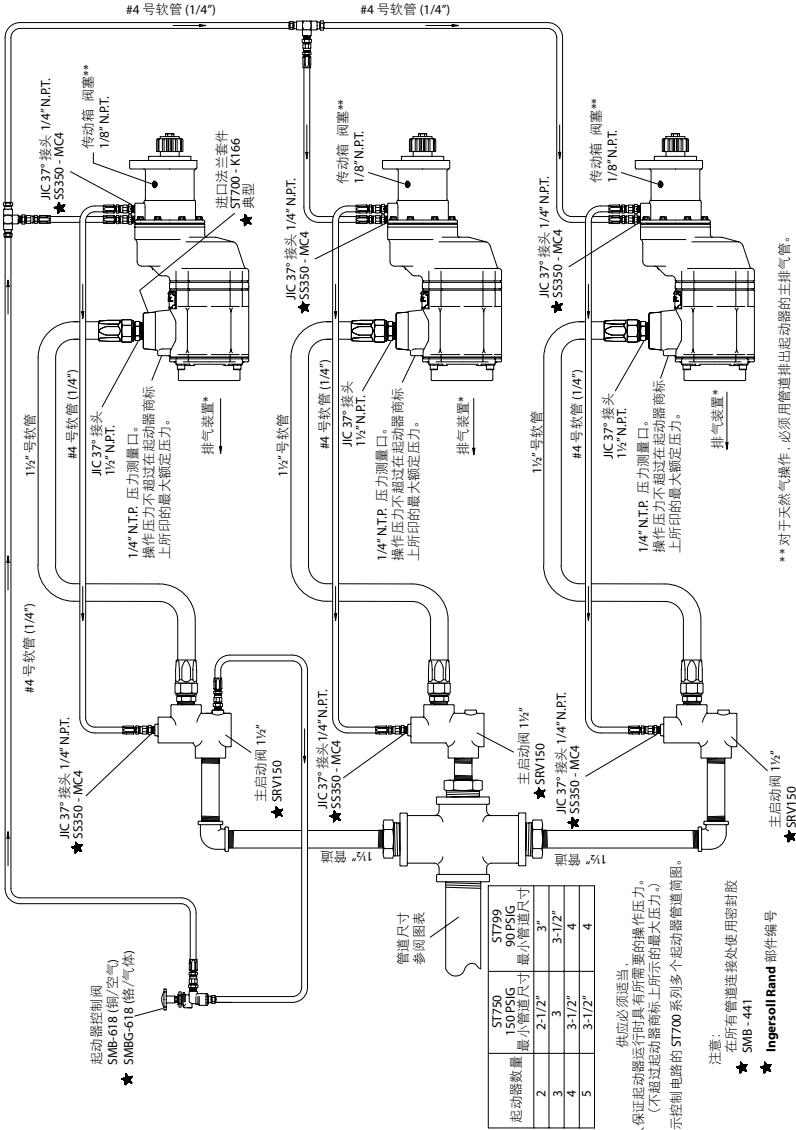
\*\* 对于天然气操作，必须用管道排出起动机的主排气管。  
要用管道连接传动箱阀，先卸下传动箱阀塞，  
然后用适当的管线替代。  
管线必须在安全的位置排气，并且不得与任何其他排气管线互连，  
这些管线可能会对传动箱阀产生回压。

★ Ingersoll Rand 部件编号

(图. TPA1281-3)

管道布置图

典型多起动器装置



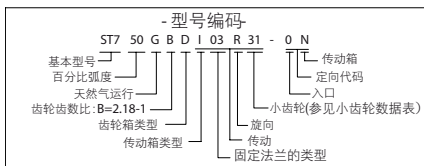
(图. TPA1284-4)

产品信息

用途:

ST700 系列涡轮电力起动器是为非公路车辆、船舶和固定装置中的空气或天然气操作而设计。

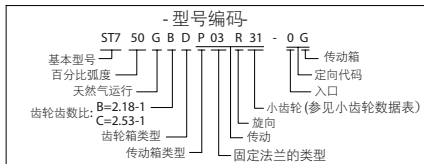
如何订购起动器



型号	最大供应压力 PSIG/Kpa *	传动			
		IR No.	小齿轮数据 轮齿编号	D.P.	P.D. PA
ST750GBDI03R31	150/1034	208M-299-1	12/12	6/8	2.00" 20°
ST750GBDI03L32	150/1034	208M-299-3	12/12	6/8	2.00" 20°
ST799GBDI03R31	90/621	208M-299-1	12/12	6/8	2.00" 20°
ST799GBDI03L32	90/621	208M-299-3	12/12	6/8	2.00" 20°

必须在订购时指定

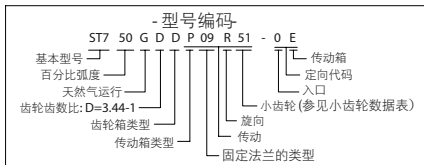
(图纸 TPD1176)



型号	最大供应压力 PSIG/Kpa *	小齿轮数据			
		轮齿编号	D.P.	P.D. PA	
ST750GBDP03R31	150/1034	12/12	6/8	2.00" 20°	
ST750GBDP03L32	150/1034	12/12	6/8	2.00" 20°	
ST750GCDP03R25	150/1034	12/12	6/8	2.00" 20°	
ST750GCDP03L26	150/1034	12/12	6/8	2.00" 20°	
ST799GBDP03R31	90/621	12/12	6/8	2.00" 20°	
ST799GBDP03L32	90/621	12/12	6/8	2.00" 20°	
ST799GCDP03R25	90/621	12/12	6/8	2.00" 20°	
ST799GCDP03L26	90/621	12/12	6/8	2.00" 20°	

必须在订购时指定

(图纸 TPD1177)



型号	最大供应压力 PSIG/Kpa *	小齿轮数据			
		轮齿编号	D.P.	P.D. PA	
ST750GDDP09R51	150/1034	15	6/8	2.50" 20°	
ST750GDDP09L52	150/1034	15	6/8	2.50" 20°	
ST799GDDP09R51	90/621	15	6/8	2.50" 20°	

必须在订购时指定

(图. TPD1178)

有关不同型号或特殊装置的信息, 请就近联系 Ingersoll Rand 分销商或销售总部, Engine Starting Systems, P.O. Box 1776, Liberty Corner, NJ 07938, 电话 (908) 647-6000。

## 製品に関する安全性

### 製品に関する安全性

これらのエアスターターは、往復内燃機関の始動に使用することを目的としています。これらのエアスターターは、始動させる必要のある往復内燃機関に正しく取り付けられた後、離れた場所から操作するように設計されています。

詳細は、「内燃機関用エアスターター製品安全情報説明書 45558624」を参照してください。

www.irools.com から説明書をダウンロードすることができます。

### 始動装置の併用

#### 再組付け

#### 備考

最高の性能を得るために、シリーズ ST700 タービン動力始動装置の再組付けまたは運転の前に本書を熟読してください。

#### 一般情報

- すべての車両への取り付けおよび振動に晒される固定エンジンについて、始動装置に配管による固定した接続を行うのではなく、規定の口径のホースを使用することを強く推奨します。車両およびエンジンの振動により固定した配管接続は直く緩みますが、ホースの場合、振動を吸収し、接続は強固のままです。
- この始動装置は、吸気口でフランジに取り付けられるように設計されています。付属品の付いたフランジ取り付けキットが再組付けに必要です。すべての配管、ホースおよびバルブ類を再組付け前に清浄にする必要があります。再組付け中は、始動装置の吸気口に塵埃の無いことを確認してください。
- 始動装置の実際の取り付けに於いては、ホースは前以て受け口での接続を済ませて、ホースの始動装置側の端は、始動装置に取り付けられるように手元に置いておくのが一番良い方法といえます。
- エンジンの設計では、しばしば、始動装置が下方の非常に近接した部屋に取り付けられ、取り付けボルト用穴の2つは、容易に手が届きますが、3つ目はしばしば手が届きにくいということが必要です。始動装置を再組付けするには以下の工具が必要で、レギュララチェットレンチ、ソケット、自在継手、ソケット伸長器および片端または両端のボックス レンチ。
- 【空気始動装置】の効率は、不適切な接続によって非常に損なわれます。推奨したものより小さいホースは、モーターへ送る空気量を減少させ、排気口にある導出用の抑制器を使用すると排気を引き起こすモーター逆圧を制限し性能を低下させます。T字型およびエルボー型継手の数量および供給ライン長さは最小限に抑えてください。15フィート長さまでの供給ラインには1-1/2インチのホースまたは管を使用し、15フィート長を超える場合は、供給ラインには2インチのホースまたは管を使用します。
- 空気を送っている送気管のどこかの接続部に漏れがあるということは、システムが一晩中空気を流出しているということであり、翌日の朝、別の車両またはコンプレッサを使用して再度圧力を上げる必要があります。接続部から気泡が漏れないように締め付け、不要なコストや遅れの発生を避けます。システム全体のすべてのネジ接続は、Ingersoll Rand No. SMB-441 シーラント非硬化剤 No. 2 Permatex または Loctite\*\* パイプ シーラントを使用します。すべての接続を終了した後、各接合部をせっけん泡試験でチェックします。運転している送気管に漏れないようにする必要があります。ほんの僅かな漏れであっても一晩中、システムの圧力損失を引き起こします。常に給気管を受け器の側面または最上部分から入るようにし、決して底部またはその付近から入ることのないようにします。空気中の湿気は、受け器の底で凝縮し、バルブの動作不能を引き起こすおそれのある損傷を招きます。タンクの底部のcockを定期的に開放し、排水します。
- 始動装置の運転に有害なガスを使用するときは、常に、吸気管または排気管、またはその他の始動装置の接合部から漏れが無いようにする必要があります。すべての放出は、安全な場所に導出してください。

- システムの緊急再加圧用の「友好的握手」の再組付けを推奨します。「友好的握手」を清浄に、塵埃の無いように保ち、損傷から保護するために、パイプ栓によって閉められた二番目の「友好的握手」をこれに合わせて取り付けるかまたは「友好的握手」保護ブラケットを使用することが可能です。
- 各始動装置用の吸気ラインにストレーナーを取り付けることが必要です。

Ingersoll Rand は 5 種類のストレーナーを提供します。

1-1/2 インチライン用 ST900-267-24

2 インチ ライン用 ST900-267-32 および ST900-267-32F

3 インチ ライン用 ST900-267-48

4 インチ ライン用 ST900-267-64

これらの300 メッシュのストレーナーは、50 ミクロンの粒子のろ過を行い、タービン構成部品に損傷を与えるおそれのある供給ラインの混入物質に対する重要な保護を行います。交換要素は以下の通りです。

1-1/2 インチライン用 ST900-266-24

2 インチ管継手ネジ用 ST900-266-32

2 インチ フランジ用 ST900-266-32F

3 インチ フランジ用 ST900-266-48 および

4 インチライン用 ST900-266-64

#### 始動装置の向き

始動装置は、これを必要とするエンジン取り付けのお客様の特定の取り付け方法に合う正しい向きまたはお客様の特定の据付方法に合う正しい向きを注文されることを推奨します。しかし、始動装置が再組付けの際に向きを変える必要がある場合、以下のように進めてください。

- EN5、EN6 および EN7 の各ページに記載されている寸法説明図を参照し、【駆動部収納部】が【変速装置】に対して放射状に位置する16箇所の中の1つに配置することができ、吸気口は、【駆動部収納部】に対して放射状に位置する4箇所の中の1つに配置することができることに注意します。
- エンジンの取り付け要求を検討し、【変速装置】に対する【駆動部収納部】の必要な向きを決定します。【駆動部収納部】の向きを変える必要がある場合、【駆動部収納部キャップ】の8本のネジを外し、【駆動部収納部】を要求された位置に回転させます。【変速装置】から【駆動部収納部】を分離する必要はありません。【駆動部収納部キャップ】のネジを再度取り付けで 28 ft-lb (38 Nm) のトルクで締め付けます。
- 【駆動部収納部】を【変速装置】に対して正しい向きにした後、吸気口がホースの再組付けに対し、好ましい位置に配置されているか決定します。これらの吸気口およびホースの片方または両方の向きを変える必要がある場合、8 mm 六角レンチを使用して、モーター収納カバー キャップの4本のネジを抜いてモーター収納部およびモーター収納カバーの両方またはどちらか一方を希望する位置に回転させます。

#### 備考

【モーター収納部】を【中間変速装置】ケースから分離させると潤滑油が無くなってしまつて、分離できないでください。

モーター収納カバーキャップの4本のネジを元の穴に戻し、20 ft-lb (27 Nm) づつ増加させ、t、60 ft-lb (81.4 Nm) のトルクがかかるまで交互に締め付けています。

#### 始動装置の取り付け

- 8 ページから11 ページに記載されている適切な配管図を検討して指示されているように取り付けます。
- 始動装置取り付け用の空気受けタンクは、始動装置が操作される最大圧力以上の動作圧力定格を有する必要があります。

\* Loctite Corporation の商標登録。

- 始動装置を既に使用中の空気受けタンクに接続するときは、始動装置を取り付ける前に、タンク内の空気圧を徐々に減らして無くします。

### 警告

空気圧をバルブまたはコックを通して徐々に減らして無くします。タンク内にまだ圧力がある間にタンクから栓を抜くことをしないでください。

タンクの底に溜まった水があれば排出します。

- 1-1/2 インチ ショート ニップルを使用して、配管図に示されているように空気受けタンクの端に [SRV150 始動装置リレーバルブ] を取り付けます。

### 備考

バルブ本体に刻印された「IN (入)」という用語で表示された [リレーバルブ] の吸気側に接続されていることを確実にします。

- 空気の取り入れに対しては、ダッシュパネル (車両再組立) または他の適切なパネル (固定再組立) に、[始動装置制御バルブ (SMB-618)] を取り付けます。電気ソレノイド制御バルブおよびパネルに取り付けられたスイッチを使用するオプションの制御回路を利用できます。12V ソレノイドバルブ (150BMP-1051B) をしっかり取り付けし、できれば熱、振動または汚染の集中から離れた垂直位置に取り付けます。リード線をダッシュボードまたは制御パネル上に配置される、作作員の起動スイッチに接続します。
- [始動装置制御バルブ] に隣接する制御パネルに [始動装置指示ラベル (TA-STR-100)] を付けます。
- [風圧計 (150BMP-1064)] を制御パネルまたはその周りに取り付けます。風圧計は、運転員が容易に見ることのできる場所に配置してください。
- 始動装置制御バルブをリレーバルブに 1/4 インチ ホースで接続します。このラインに [風圧計] に至る短いフィーダーホースの付いた T 字型分岐を取り付けます。

### 備考

ホースが始動装置制御バルブの供給側 (「SUP」) と印されています) に接続されていることを確実にします。

- 1-1/2 インチの空気ホースの必要とする正確な長さを決定するには、特別丈夫なホースまたは同径の柔軟な管類を受け側のリレーバルブからエンジン上の始動装置まで測ります。
- リレーバルブの排気側に 1-1/2 インチの空気ホースを取り付け、このホースをフレームなどを通して、始動装置の場所の最終位置まで測ります。
- この地点で、始動装置が実際に取り付けられる前または後に、ホースを始動装置に付けることが可能または実際的か、またはそうでないかを決定します。多くのケースでは、始動装置を取り付ける前に、ホースを始動装置に付けることが必要である場合があります。
- 可能な場合、高品質のギア グリースの付いたリングギアの歯に大量にグリースを塗ります。こうするとリングギアおよび始動装置のピニオンの寿命を延ばすのに役立ちます。
- 始動装置を所定の位置に移動し、フライホイール収納部に取り付けます。取り付けトルクを 100 ft-lb (136 Nm) のトルクまで締め付けます。
- 事前取り付け済みモデルに対しては、1/4 インチ ホースラインを始動装置制御バルブまたはソレノイドバルブの供給側 (「DEL」) と印されています) から始動装置ドライブ収納部の「IN」入口に取り付けます。

### 備考

空気圧を不用意に「OUT」出口に当てるとドライブの誤動作 (ピニオンが待避し損ないます) を招きます。この状態が生じた場合、[ドライブ収納キャップ] のネジ (38) を緩めて [変速装置 (28)] に空気を排出します。また、[収納栓] (10) および (11) を緩めて [モーター] に空気を排出します。

- 1/4 インチ ホースラインを [始動装置ドライブ収納部] 上の「OUT」出口から [始動装置リレーバルブ] または [ソレノイドバルブ] の小管のタップ付きの部分に取り付けます。
- 排気が導出される場合、[収納部排気カバー] の背後に配置されている標準 [スブラッシュデュプレクタ] を取り外し、始動装置に付属してきた 1/4 インチ N.P.T. パイプ栓を備えた [組立品] に交換します。
- 完全な始動システムに圧力をかけ、すべての接続部をせっけん泡試験でチェックします。使用中の送気管または他の接続部に漏れがないようにする必要があります。

### エンジンの閉じ込め

ときどき、注入管の設定およびタイミングの目的のため、またはそのどちらか一方のために、エンジンをどのような指定された位置に於いても、どのように指定されたピストンの停止もできるような方法でエンジンを閉じ込めることが望ましい場合があります。これは、[シリーズ ST700 タービン始動装置] で非常に容易に実施できます。[デュプレクタ保持ネジ (5)]、[デュプレクタ戻りバネ (4)] および [スブラッシュデュプレクタ (3)] を取り外します。導出された排気ガスを使用する場合、収納部排気カバーの中央の穴に近づけるように、配管を外します。1/4 インチ パイプ栓を外します。

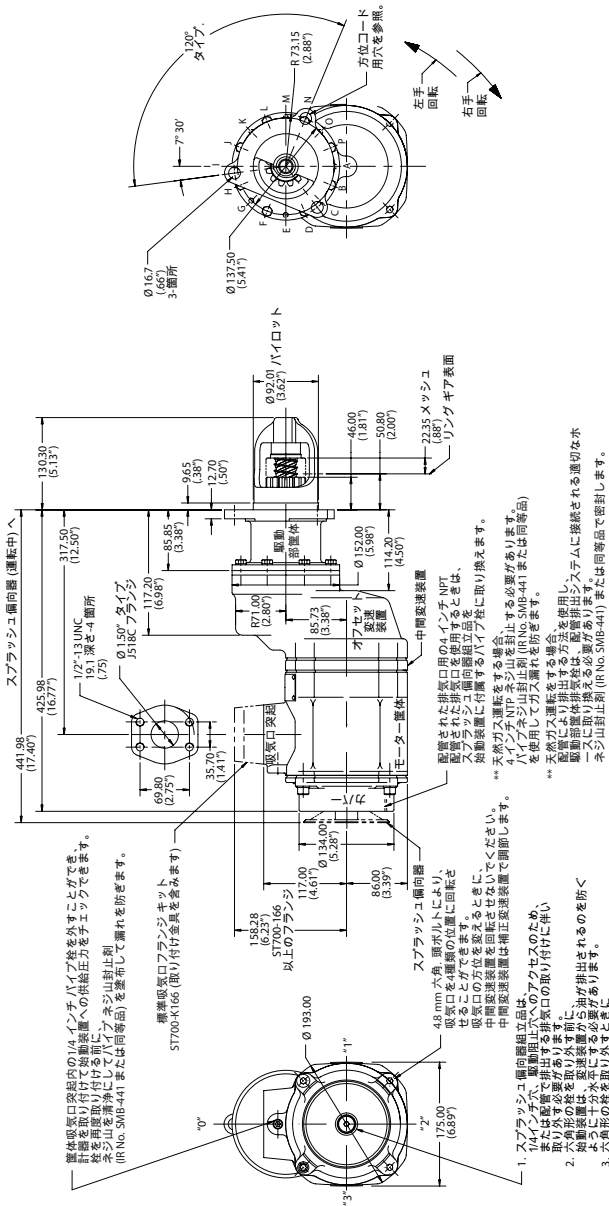
### 慣性駆動部付きモデルに対して。

- 手でピニオンを噛ませ、1/4 インチ六角レンチを [収納部カバー] にある穴に挿入し、[モーター組立品] の背後の六角形の駆動部凹所にはまるようにします。
- エンジンが希望の位置までクランクで回転するまで [モーター組立品] を手で回転させます。

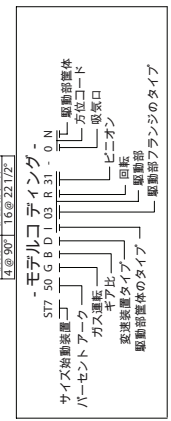
### 事前取り付け済み駆動部を有するモデルに対して

- [駆動部収納部] 上の「OUT」出口にある 1/4 インチホースを外し、[駆動部収納部] の穴を 1/4 インチ パイプ栓で塞ぎます。
- フライホイールの付いた [駆動部ピニオン] を最小限 70 psig (4.8 bar/483 kPa) の圧力を加えて [駆動部収納部] の「IN」入口に噛ませます。
- 1/4 インチ六角レンチを収納部排気カバーにある穴に挿入し、[モーター組立品] の背後の六角形の駆動部凹所にはまるようにします。
- エンジンが希望の位置までクランクで回転するまで [モーター組立品] を手で回転させます。

ST700 慣性取り付け寸法



- 備考
1. 始動装置は、排気管を下に向けてエンジンに取り付けてください。
  2. これらの仕立物は、始動装置がトランスミッション液に晒されるような用途への使用は認められません。
  3. 始動装置の運転モードには、排気管の反対側に位置するものに切り替えることはできません。
  4. 他に指定されていない場合は、必ずこの位置に切り替えてください。
  5. 方位を示すようにしている標記の方位 (OE) で出荷されます。
  6. 始動装置質量 = 68 lbs (30.8 Kg)



1. スプラインの内径を排気管の外径より大きく、パイラートを排気管の外径と同じにしてください。

2. 始動装置の慣性モーメントを排気管の慣性モーメントより大きくしてください。

3. 始動装置の慣性モーメントを排気管の慣性モーメントより大きくしてください。

4. 始動装置の慣性モーメントを排気管の慣性モーメントより大きくしてください。

5. 始動装置の慣性モーメントを排気管の慣性モーメントより大きくしてください。

6. 始動装置の慣性モーメントを排気管の慣性モーメントより大きくしてください。

7. 始動装置の慣性モーメントを排気管の慣性モーメントより大きくしてください。

8. 始動装置の慣性モーメントを排気管の慣性モーメントより大きくしてください。

9. 始動装置の慣性モーメントを排気管の慣性モーメントより大きくしてください。

10. 始動装置の慣性モーメントを排気管の慣性モーメントより大きくしてください。

11. 始動装置の慣性モーメントを排気管の慣性モーメントより大きくしてください。

12. 始動装置の慣性モーメントを排気管の慣性モーメントより大きくしてください。

13. 始動装置の慣性モーメントを排気管の慣性モーメントより大きくしてください。

14. 始動装置の慣性モーメントを排気管の慣性モーメントより大きくしてください。

15. 始動装置の慣性モーメントを排気管の慣性モーメントより大きくしてください。

16. 始動装置の慣性モーメントを排気管の慣性モーメントより大きくしてください。

17. 始動装置の慣性モーメントを排気管の慣性モーメントより大きくしてください。

18. 始動装置の慣性モーメントを排気管の慣性モーメントより大きくしてください。

19. 始動装置の慣性モーメントを排気管の慣性モーメントより大きくしてください。

20. 始動装置の慣性モーメントを排気管の慣性モーメントより大きくしてください。

21. 始動装置の慣性モーメントを排気管の慣性モーメントより大きくしてください。

22. 始動装置の慣性モーメントを排気管の慣性モーメントより大きくしてください。

23. 始動装置の慣性モーメントを排気管の慣性モーメントより大きくしてください。

24. 始動装置の慣性モーメントを排気管の慣性モーメントより大きくしてください。

25. 始動装置の慣性モーメントを排気管の慣性モーメントより大きくしてください。

(図面: TPA1276-4)



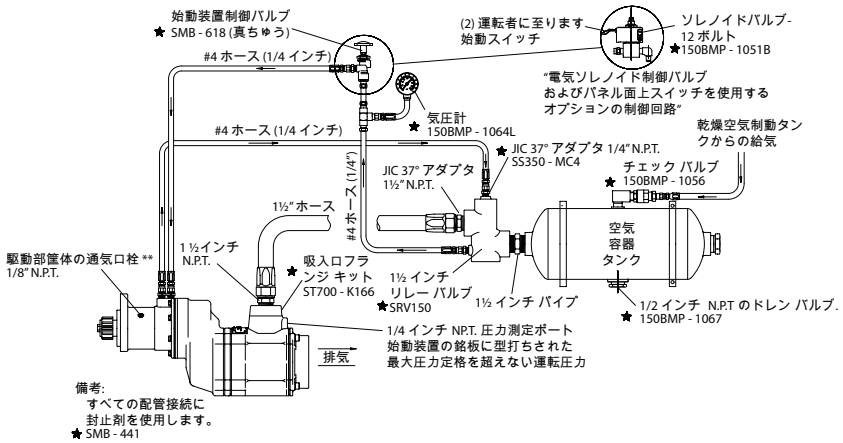




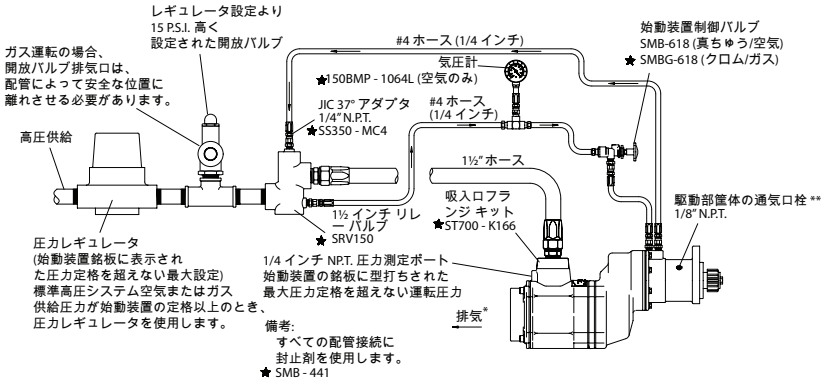
## 配管図

## 事前取り付け済みシステム (表示されているシリーズ ST700)

## 典型的な車両取り付け



## 典型的な固定の



★ Ingersoll Rand 部品番号

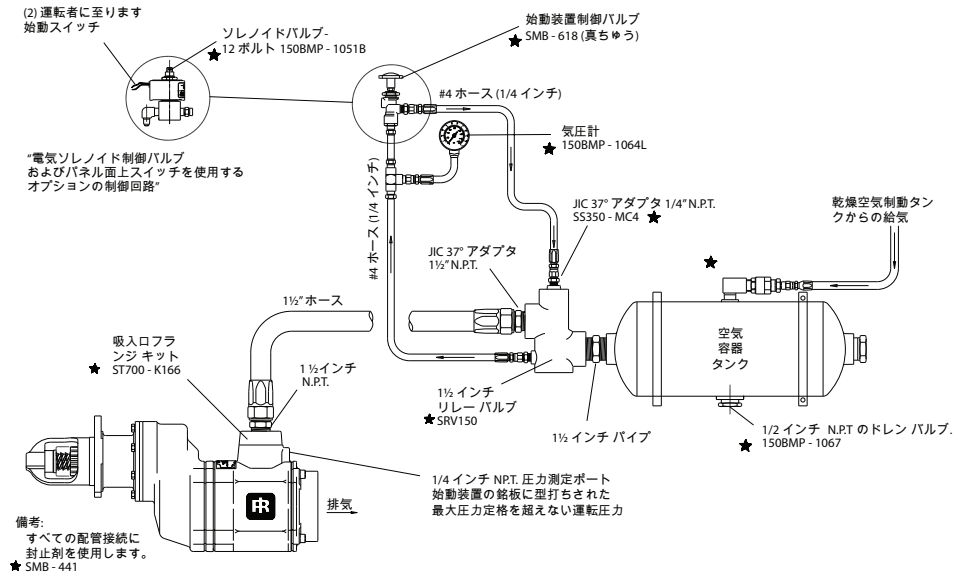
\*\* 天然ガス運転をする場合、始動装置のメイン排気は、  
配管で排出する必要があります。駆動部筐体通気口に配管するために、  
駆動部筐体栓を外して適切な管類ラインに取り換えます。  
管類は、安全な位置で通気する必要があります。  
駆動部筐体に逆圧の発生を招くおそれのある他の排気管と  
の相互接続をしないようにする必要があります。

(図面: TPA1282-3)

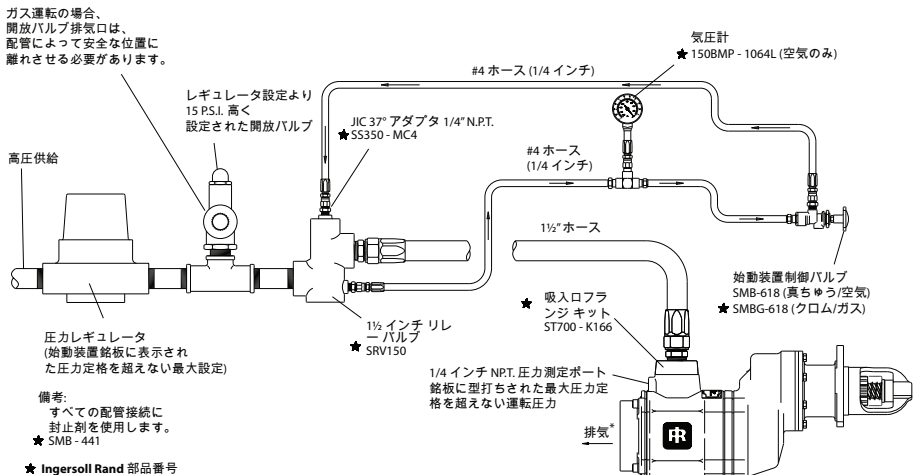
## 配管図

## 慣性タイプシステム (表示されているシリーズ ST700)

## 典型的な車両取り付け



## 典型的な固定取り付け



\*\* 天然ガス運転をする場合、始動装置のメイン排気は、  
配管で排出する必要があります。

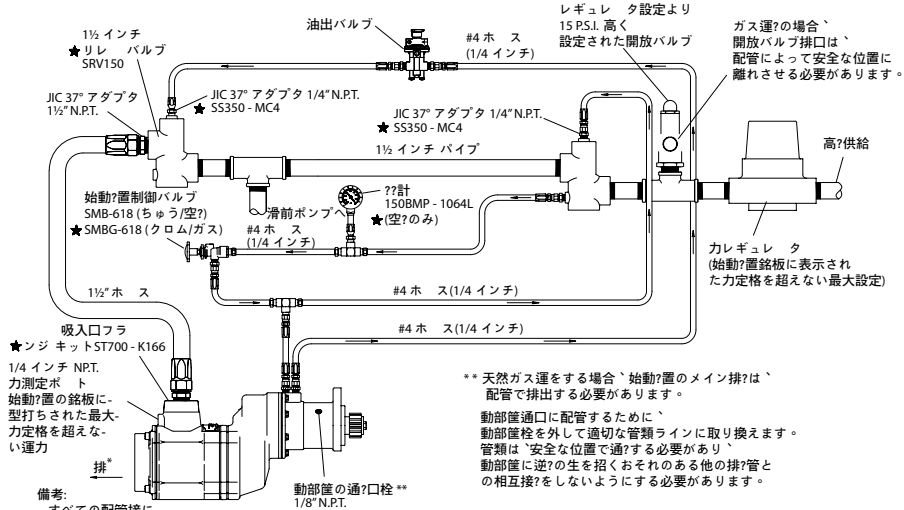
駆動部管体通気口に配管するために、  
駆動部管体栓を外して適切な管類ラインに取り換えます。  
管類は、安全な位置で通気する必要があります。  
駆動部管体に逆圧の発生を招くおそれのある他の排気管と  
の相互接続をしないようにする必要があります。

(図面. TPA1283-3)

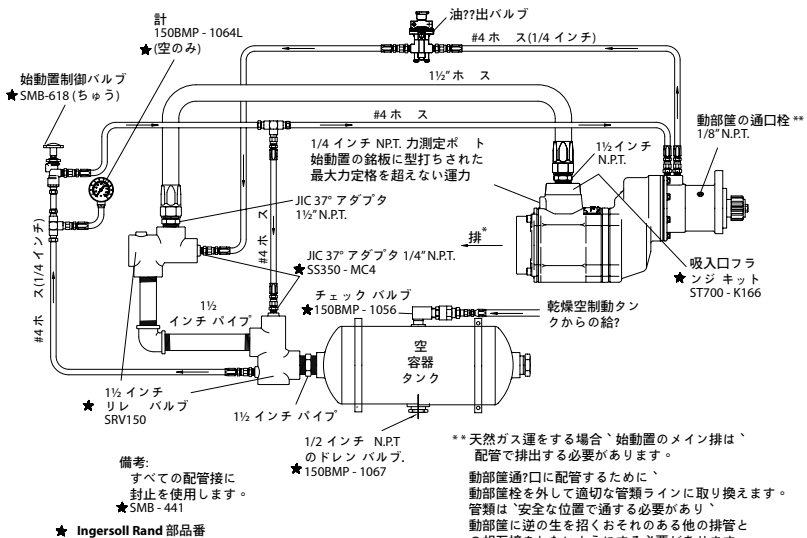
配管図

事前取り付け済みシステム (表示されているシリーズ ST700)

供給力が定格始動置力を超えたときのエンジン事前潤滑システムとの典型的設定



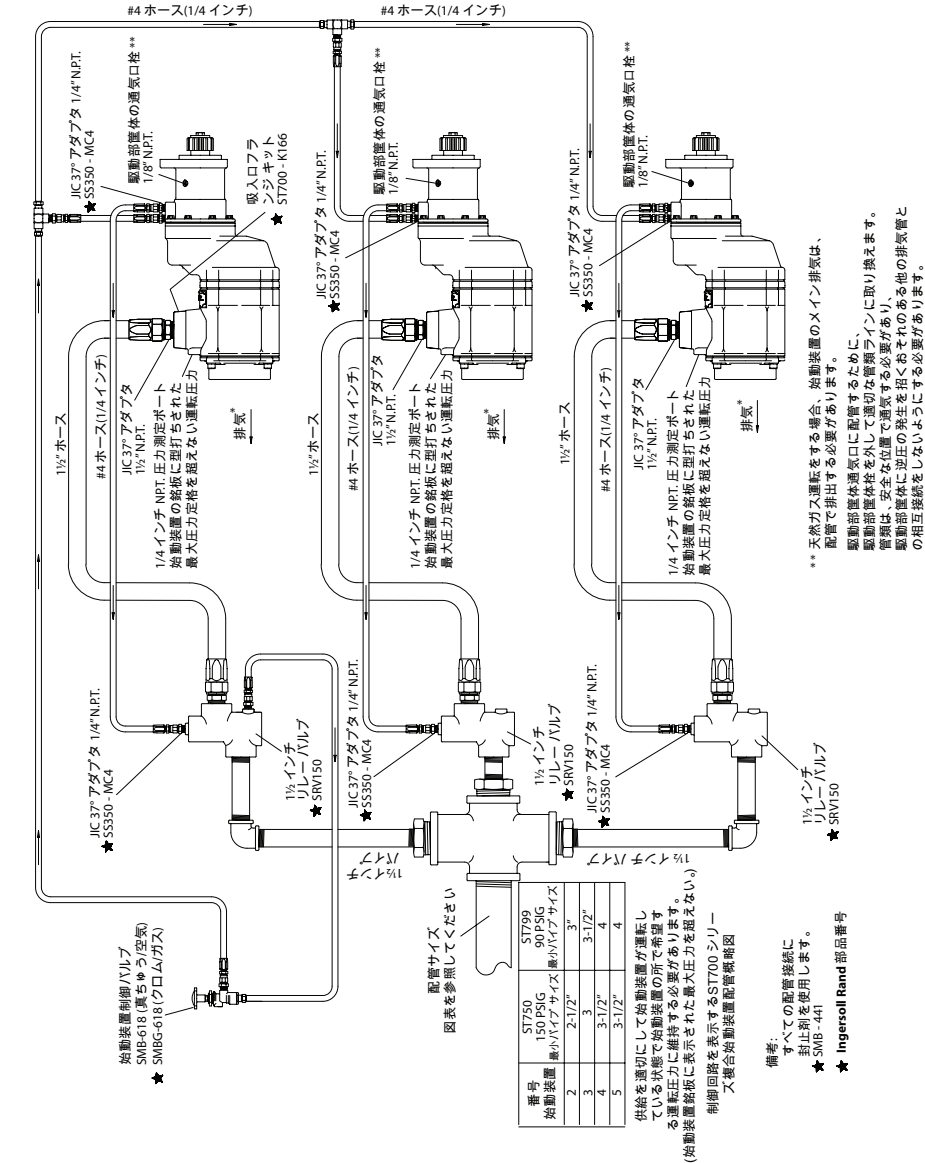
エンジン事前潤滑システムとの典型的設定



(図面. TPA1281-3)

配管図

典型的な複式始動装置の再組付け



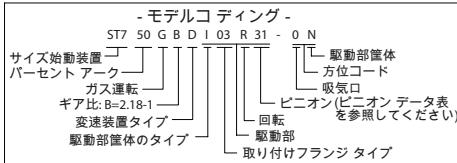
(図面: TPA1284-4)

製品情報

製品の用途:

タービンを動力とするシリーズ ST700 始動装置は、オフハイウェイ、海洋および固定の各用途に於いて空気またはガスで運転するように設計されています。

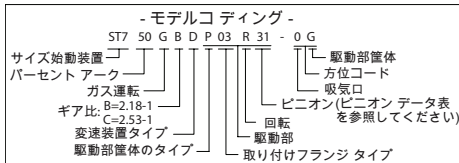
始動装置の発注方法



(図面, TPD1176)

モデル	最大供給圧力 PSIG/Kpa Max.*	駆動部		ピニオン データ			
		IR No.	歯数	D.P.	P.D. [D]	PA	
ST750GBDI03R31	150/1034	208M-299-1	12/12	6/8	2.00"	20°	
ST750GBDI03L32	150/1034	208M-299-3	12/12	6/8	2.00"	20°	
ST799GBDI03R31	90/621	208M-299-1	12/12	6/8	2.00"	20°	
ST799GBDI03L32	90/621	208M-299-3	12/12	6/8	2.00"	20°	

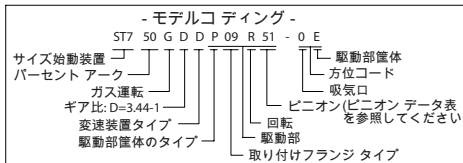
発注するときに明記する必要があります。



(図面, TPD1177)

モデル	最大供給圧力 PSIG/Kpa Max.*	ピニオン データ			
		歯数	D.P.	P.D. [D]	PA
ST750GBDP03R31	150/1034	12/12	6/8	2.00"	20°
ST750GBDP03L32	150/1034	12/12	6/8	2.00"	20°
ST750GCDP03R25	150/1034	12/12	6/8	2.00"	20°
ST750GCDP03L26	150/1034	12/12	6/8	2.00"	20°
ST799GBDP03R31	90/621	12/12	6/8	2.00"	20°
ST799GBDP03L32	90/621	12/12	6/8	2.00"	20°
ST799GCDP03R25	90/621	12/12	6/8	2.00"	20°
ST799GCDP03L26	90/621	12/12	6/8	2.00"	20°

発注するときに明記する必要があります。



(図面, TPD1178)

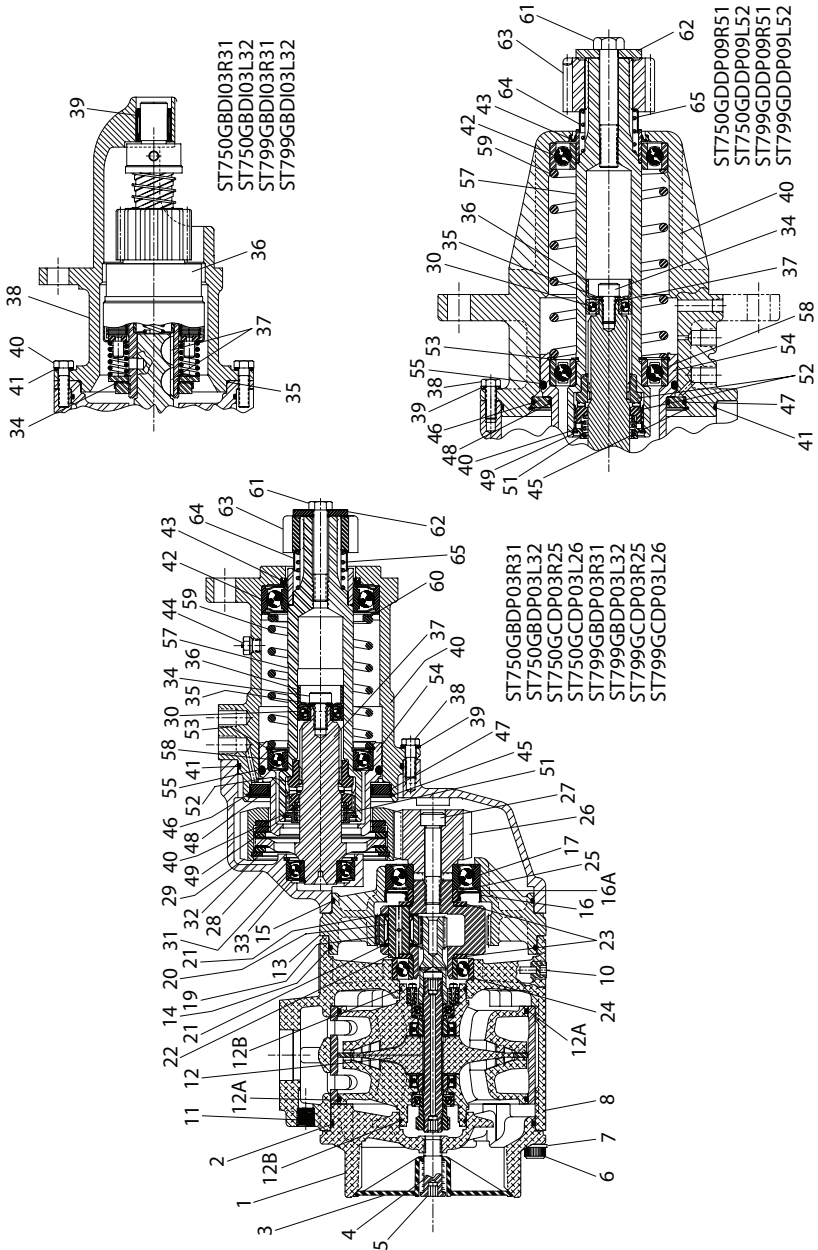
モデル	最大供給圧力 PSIG/Kpa Max.*	ピニオン データ			
		歯数	D.P.	P.D. [D]	PA
ST750GDDP09R51	150/1034	15	6/8	2.50"	20°
ST750GDDP09L52	150/1034	15	6/8	2.50"	20°
ST799GDDP09R51	90/621	15	6/8	2.50"	20°

発注するときに明記する必要があります。

別のモデルまたは特殊な用途については、最寄の Ingersoll Rand 販売店または SALES HEADQUARTERS, Engine Starting Systems, P.O. Box 1776, Liberty Corner, NJ 07938, 電話 (908) 647 - 6000 にご相談ください。

Parts Information

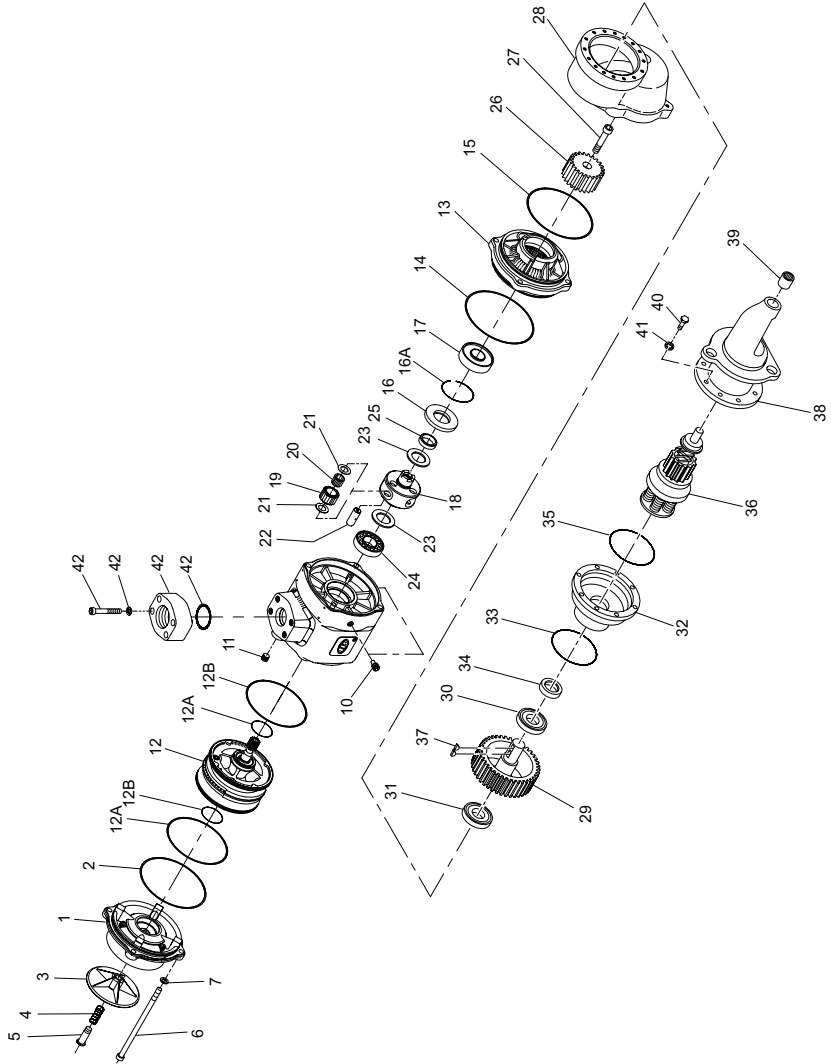
Cross Section Diagram, ST700 Turbine Powered Starter



(Dwg. TPA1275-2)



Exploded Diagram, ST750 Turbine Powered Starter (Inertia)



(Dwg. TPA1272-2)

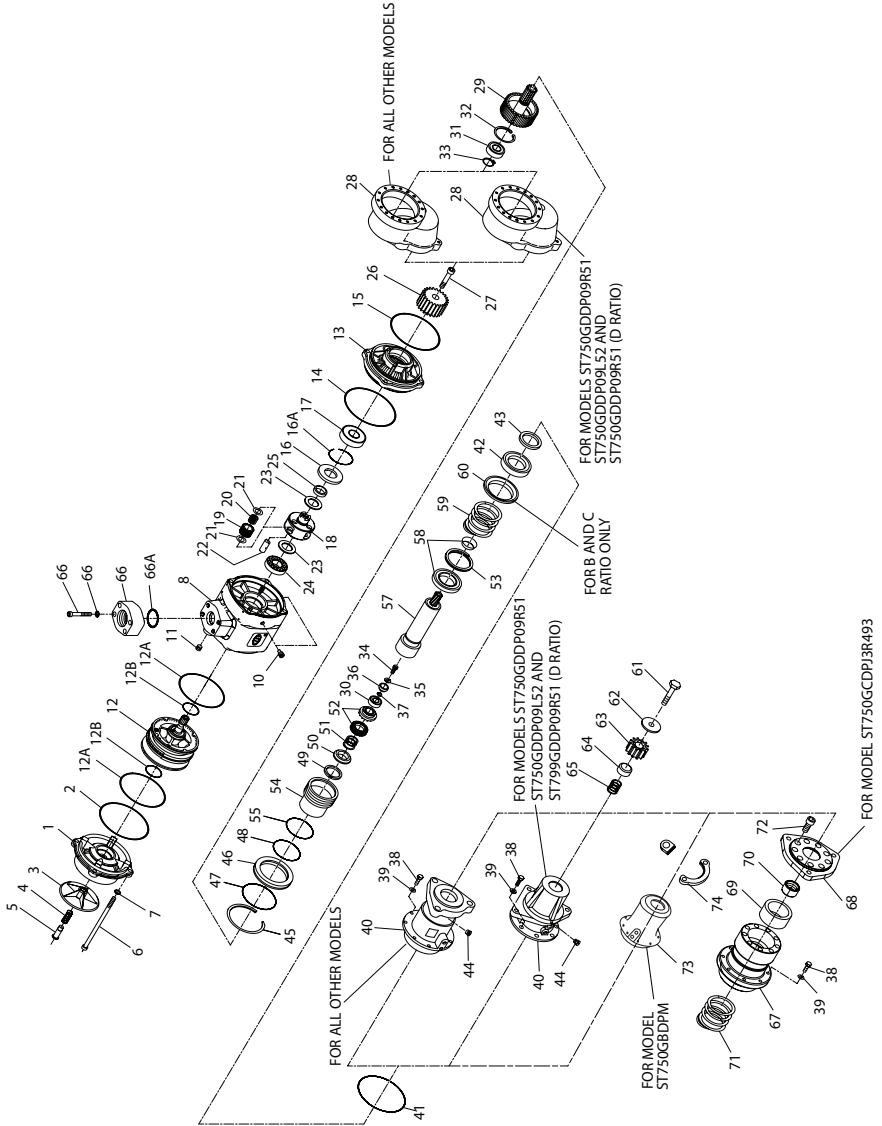
**Parts List, ST750 Turbine Powered Starter (Inertia)**

Item	Part Description	Part Number	Item	Part Description	Part Number
	Housing Exhaust Cover Assembly	ST700-A562	† 31	Rear Drive Gear Bearing	SS800-359
1	Housing Exhaust Cover	ST700-562	32	Gear Case Cover	SS810-678
2	Exhaust Cover Seal	Y330-257	† 33	Gear Case Cover O-Ring	SS800-244
*	Exhaust Cover Plug	ST700-K37	† 34	Drive Gear Shaft Seal	SS810-272
3	Splash Deflector	ST700-735	† 35	Drive Housing O-Ring	SS800-152
4	Deflector Return Spring	D10-275	36	Starter Drive	
5	Deflector Retaining Screw	ST700-737		for Models ST750GBDI03R31 and ST799GBDI03R31	20BM-299-1
6	Starter Assembly Cap Screw (4)	ST900-2574		for Models ST750GBDI03L32 and ST799GBDI03L32	20BM-299-3
7	Cap Screw Washer (4)	SS800-26			
	Motor Housing Assembly	ST700-A40			
8	Motor Housing	ST700-40	37	Drive Gear Key (2)	20BM-610
10	Housing Plug (2)	CE110-29	38	Drive Housing	SS810-300
11	Housing Plug Inlet Boss	ROH-377	† 39	Drive Housing Bearing	SS660-363-13
*	Nameplate	ST700-301	40	Drive Housing Cap Screw (8)	SS810-744
*	Nameplate Screw (4)	R4K-302	41	Drive Housing Cap Screw Lock Washer (8)	TE223A-415
† 12	Motor Assembly		† 42	Inlet Flange Kit (Includes Inlet Flange, Flange Mounting Bolts and Lock Washers)	ST700-K166
	for Model ST750GBDI03R31	ST750R-A53			
	for Model ST750GBDI03L32	ST750L-A53	43	Flange Mounting Hardware Kit (includes Flange Mounting Bolts and Lock Washers)	ST700-K167
	for Model ST799GBDI03R31	ST799R-A53			
	for Model ST799GBDI03L32	ST799L-A53			
12A	Cylinder O-Ring Seal (2)	ST700-67	*	Planet Gear Kit (includes illustrated parts 14, 19 [3], 20 [54], 21 [6], and 22 [3])	ST700-K10
12B	Housing O-Ring Seal (2)	Y327-032			
	Intermediate Gear Case Assembly	ST700-A37	*	Tune-up Kit (included illustrated parts 14, 15, 16, 16A, 17, 19, 20, 21, 22 and 42)	ST700-TK1
13	Intermediate Gear Case	ST700-37			
† 14	Rear Gear Case O-Ring	Y327-163	*	Tune-up Kit (for ST750 models with right hand rotation) includes illustrated parts 12, 14, 16, 16A, 17, 19, 20, 21, 22, 24 and 42	ST750R-TK2
† 15	Front Gear case O-Ring	Y327-162			
† 16	Planet Gear Frame Shaft Seal	ST700-272			
† 16A	Spacer Ring	ST700-323			
† 17	Front Gear Frame Bearing	SS800-22	*	Tune-up Kit (for ST750 models with left hand rotation) includes illustrated parts 12, 14, 16, 16A, 17, 19, 20, 21, 22, 24 and 42	ST750L-TK3
	Planet Gear Frame Assembly	ST700-A108			
18	Planet Gear Frame	ST700-108			
† 19	Planet Gear (3)	ST700-10			
† 20	Planet Gear Needle Roller Bearing (3)	ST700-363	*	Tune-up Kit (for ST799 models with right hand rotation) includes illustrated parts 12, 14, 16, 16A, 17, 19, 20, 21, 22, 24 and 42	ST799R-TK4
*	Planet Gear Needle (18)	ST700-363-R			
† 21	Bearing Spacer (6)	ST700-364			
† 22	Planet Gear Shaft (3)	ST700-191			
23	Gear Shaft Retaining Washer (2)	ST700-100	*	Tune-up Kit (for ST799 models with left hand rotation) includes illustrated parts 12, 14, 16, 16A, 17, 19, 20, 21, 22, 24 and 42	ST799L-TK5
† 24	Rear Gear Frame Bearing	TA-22			
25	Front Bearing Spacer	ST700-90			
26	Intermediate Pinion	SS800B-17			
27	Intermediate Retaining Screw	SS800-732			
28	Gear Case	SS800-37			
29	Drive Gear	SS810-9			
† 30	Front Drive Gear Bearing	BU-359			

\* Not Illustrated

† Tune-up Kit Parts

**Exploded Diagram, Series ST700 Turbine Starter (Pre-Engaged)**



(Dwg. TPA1273-5)

**Parts List, Series ST700 Turbine Starter (Pre-Engaged)**

Item	Part Description	Part Number	Item	Part Description	Part Number
	Housing Exhaust Cover Assembly	ST700-A562	27	Intermediate Pinion Retaining Screw	SS800-732
1	Housing Exhaust Cover	ST700-562	28	Gear Case	SS850-37
2	Exhaust Cover Seal	Y330-257			
*	Exhaust Cover Plug	ST700-K37	29	Drive Gear	SS850-37
3	Splash Deflector	ST700-735			
4	Deflector Return Spring	D10-275			
5	Deflector Retaining Screw	ST700-737			
6	Starter Assembly Cap Screw (4)	ST900-2574			
7	Cap Screw Washer (4)	SS800-26			
	Motor Housing Assembly	ST700-A40			
8	Motor Housing	ST700-40			
10	Housing Plug (2)	CE110-29			
11	Housing Plug Inlet Boss	R0H-377			
*	Nameplate	ST700-301			
*	Nameplate Screw (4)	R4K-302			
† 12	Motor Assembly				
	for Models ST750GBD03R31, ST750GCDP03R25 and ST750GDDP09R51	ST750R-A53			
	for Models ST750GBDP03L32, ST750GCDP03L26 and ST750GDDP09L52	ST750L-A53			
	for Models ST799GBDP03R31, ST799GCDP03R25 and ST799GDDP09R51	ST799R-A53			
	for Models ST799GBDP03L32, ST799GCDP03L26 and ST799GDDP09L52	ST799L-A53			
12A	Cylinder O-ring Seal (2)	ST700-67	30	Front Drive Gear Bearing	SS800-278
12B	Housing O-ring Seal (2)	Y327-032	† 31	Rear Drive Gear Bearing	SS800-359
	Intermediate Gear Case Assembly	ST700-A37	32	Drive Gear Bearing Retainer	SS800-361
13	Intermediate Gear Case	ST700-37	33	Drive Gear Shaft Bearing Retainer	SS800-632
† 14	Rear Gear Case O-ring	Y327-163	34	Drive Gear Screw	SS800-179
† 15	Front Gear Case O-ring	Y327-162	35	Drive Gear Lock Washer	SS800-180
† 16	Planet Gear Frame Shaft Seal	ST700-272	36	Drive Gear Cup	SS800-177
† 16A	Spacer Ring	ST700-323	37	Drive Gear Screw O-ring	SS800-176
† 17	Rear Gear Frame Bearing	SS800-22	38	Drive Housing Cap Screw (8)	SS800-744
	Planet Gear Frame Assembly	ST700-A108	39	Drive Housing Cap Screw Lock Washer (8)	TE223A-415
18	Planet Gear Frame	ST700-108	40	Drive Housing Kit	
† 19	Planet Gear (3)	ST700-10			
† 20	Planet Gear Needle Roller Bearing (3)	ST700-363			
*	Planet Gear Needle Roller (18)	ST700-363-R			
† 21	Bearing Spacer (6)	ST700-364			
† 22	Planet Gear Shaft (3)	ST700-191			
23	Gear Shaft Retaining Washer (2)	ST700-100			
† 24	Rear Gear Frame Bearing	TA-22			
25	Front Bearing Spacer	ST700-90			
26	Intermediate Pinion				
	for Models ST750GBDP03R31, ST750GBDP03L32, ST799GBDP03R31 and ST799GBDP03L32	SS800B-17			
	for Models ST750GCDP03R25, ST750GCDP03L26, ST799GCDP03R25 and ST799GCDP03L26	SS825C-17			
	for Models ST750GDDP09R51, ST750GDDP09L52, ST799GDDP09R51 and ST799GDDP09L52	SS850-17			
			41	for Models ST750GDDP09R51, ST750GDDP09L52, ST799GDDP09R51 and ST799GDDP09L52	SS850-K300
				for all other models	SS825-K300
			† 41	Drive Housing O-ring for B & C ratio	SS800-244
				for D ratio	SS850-244
			42	Front Drive Shaft Bearing	SS850-363
			43	Drive Housing Seal	SS800-273
			44	Drive Housing Vent Plug	P250-546
			† 45	Bulkhead Retainer	
				for Models ST750GDDP09R51, ST750GDDP09L52, ST799GDDP09R51 and ST799GDDP09L52	SS850-181
				for all other models	SS800-181
			46	Bulkhead Kit	
				for Models ST750GDDP09R51, ST750GDDP09L52, ST799GDDP09R51 and ST799GDDP09L52	SS850-K150
				for all other models	SS800-K150
			† 47	Outer Bulkhead O-ring	
				for Models ST750GDDP09R51, ST750GDDP09L52, ST799GDDP09R51 and ST799GDDP09L52	SS850-152
				for all other models	SS800-152
			† 48	Inner Bulkhead O-ring	
				for Models ST750GDDP09R51, ST750GDDP09L52, ST799GDDP09R51, ST799GDDP09L52	SS850-151
				for all other models	SS800-151

\* Not illustrated

† Indicates Tune-up Kit parts

**Parts List, Series ST700 Turbine Starter (Pre-Engaged) - Continued**

Item	Part Description	Part Number	Item	Part Description	Part Number		
49	Clutch Spring Cup Retainer	SS800-366	61	Drive Pinion Retaining Screw for Models ST750GBDP03R31, ST750GCDP03R25, ST799GBDP03R31 and ST799GCDP03R25	SS800R-394		
50	Clutch Spring Cup	SS800-367					
51	Clutch Spring	SS800-583					
52	Clutch Jaw Kit						
	for Models ST750GBDP03R31, ST750GCDP03R25, ST750GDDP09R51, ST799GBDP03R31, ST799GCDP03R25 and ST799GDDP09R51	SS800R-K587	62	Drive Pinion Washer for Models ST750GBDP03L32, ST750GCDP03L26, ST799GBDP03L32 and ST799GCDP03L26	SS800L-394		
	for Models ST750GBDP03L32, ST750GCDP03L26, ST750GDDP09L52, ST799GBDP03L32, ST799GCDP03L26 and ST799GDDP09L52	SS800L-K587					
53	Large Drive Shaft Bearing Retainer					for ST750GDDP09R51 and ST799GDDP09R51	SS850R-394
	for Models ST750GDDP09R51, ST750GDDP09L52, ST799GDDP09R51 and ST799GDDP09L52	SS850-107					
	for all other models	SS800-107	for ST750GDDP09L52 and ST799GDDP09L52	SS850L-394			
54	Piston Kit		63	Drive Pinion for Models ST750GBDP03R31 and ST799GBDP03R31	SS815R-13-31		
	for Models ST750GDDP09R51, ST750GDDP09L52, ST799GDDP09R51 and ST799GDDP09L52	SS850K-703					
	for all other models	SS800K-703	for ST750GBDP03L32 and ST799GBDP03L32	SS815L-13-32			
† 55	Piston O-ring		for ST750GCDP03R25 and ST799GCDP03R25	SS825R-13-25			
	for Models ST750GDDP09R51 ST750GDDP09L52, ST799GDDP09R51 and ST799GDDP09L52	SS850-337	for ST750GCDP03L26 and ST799GCDP03L26	SS825L-13-26			
	for all other models	SS800-337	for ST750GDDP09R51 and ST799GDDP09L52	SS850R-13-51			
57	Drive Shaft Kit		for ST750GDDP09L52 and ST799GDDP09L52	SS850L-13-52			
	for Models ST750GBDP03R31, ST750GCDP03R25, ST799GBDP03R31 and ST799GCDP03R25	SS800R-K8	64	Pinion Spring Sleeve for Models ST750GDDP09R51, ST750GDDP09L52, ST799GDDP09R51 and ST799GDDP09L52	SS850-335		
	for Models ST750GBDP03L32, ST750GCDP03L26, ST799GBDP03L32 and ST799GCDP03L26	SS800L-K8					
	for Models ST750GDDP09R51 ST799GDDP09R51	SS850R-K8					
for ST750GDDP09L52 and ST799GDDP09L52	SS850L-K8						
58	Rear Drive Shaft Bearing (includes bearing and retainer)		for all other models	SS800-335			
	for Models ST750GDDP09R51, ST750GDDP09L52, ST799GDDP09R51 and ST799GDDP09L52	SS850-K399	65	Pinion Spring for Models ST750GBDP03R31, ST750GCDP03R25, ST799GBDP03R31 and ST799GCDP03R25	SS800R-419		
for all other models	SS800-K399						
59	Piston Return Spring					for Models ST750GBDP03L32, ST750GCDP03L26, ST799GBDP03L32 and ST799GCDP03L26	SS800L-419
	for Models ST750GDDP09R51, ST750GDDP09L52 and ST799GDDP09R51	SS850-700				for ST750GDDP09R51 and ST799GDDP09R52	SS850R-419
	for all other models	SS800-700	for ST750GDDP09L52 and ST799GDDP09L52	SS850L-419			
60	Seat (for all B and C ratio Models only)	SS800-191	66	Inlet Flange Kit (includes Inlet Flange, O-ring, Mounting Bolts and Lock, Washers)	ST700-K166		
			67	Drive Housing Kit	ST700-K300		
			68	Flange	ST700-212A		
			69	Ring	ST700-694Y		
			70	Bearing	ST700-693		
			71	Spring	SS800-700LP		
			72	Cap Screw (9)	SS800-179		
			73	Drive Housing	04331328		
			74	Flange	04331310		

\* Not illustrated

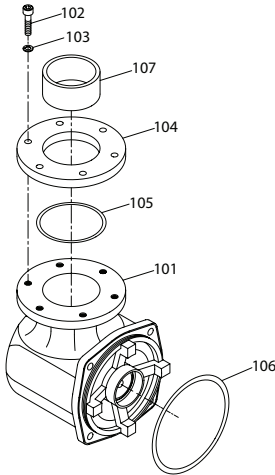
† Indicates Tune-up Kit parts

**Parts List, Series ST700 Turbine Starter (Pre-Engaged) - Kits**

Item	Part Description	Part Number	Item	Part Description	Part Number
*	Flange Mounting Hardware Kit (includes O-ring, Mounting Bolts and Lock Washers)	ST750-K167	*	Tune-up Kit (for ST799 models with right hand rotation) includes 12, 14, 16, 16A, 17, 19, 20, 21, 22, 24 and 66A	ST799R-TK4
*	Planet Gear Kit (includes illustrated parts 14, 19 [3], 20 [54], 21 [6] and 22 [3])	ST700-K10	*	Tune-up Kit (for ST799 models with left hand rotation) includes 12, 14, 16, 16A, 17, 19, 20, 21, 22, 24 and 66A	ST799R-TK5
*	Tune-up Kit (includes illustrated parts 14, 15, 16, 16A, 17, 19, 20, 21, 22, 24 and 66A)	ST700-TK1	*	Tune-up Kit (for Pre-engaged drive models) includes illustrated parts 31, 41, 45, 47, 48, 55 and 60	ST700P-TK7
*	Tune-up Kit (for ST750 models with right hand rotation) includes illustrated parts 12, 14, 16, 16A, 17, 19, 20, 21, 22, 24 and 66A	ST750R-TK2	*	Tune-up Kit (for D ratio models) includes illustrated parts 41, 45, 47, 48 and 55	ST700D-TK8
*	Tune-up Kit (for ST799 models with left hand rotation) includes illustrated parts 12, 14, 16, 16A, 17, 19, 20, 21, 22, 24 and 66A	ST750L-TK3			

\* Not illustrated

**ST700K-350 Exhaust Kit (Available at extra cost)**



(Dwg. TPC540-1)

Item	Description	Part Number
	Exhaust Kit	ST700K-350
101	Directional Housing Exhaust Cover	ST700-350
102	Cap screw (6)	ST700-703
103	Lockwasher (6)	845-58
104	Exhaust Adapter	ST700-351
105	Exhaust Adapter Seal	Y327-46
106	Exhaust Cover Seal	Y330-257
107	Weld Sleeve	ST700-352
*	Plug	ROH-377

\* Not illustrated.

**Installation of Exhaust Kit**

**NOTICE**

To aid in installation of ST700K-350 Exhaust Kit, refer to Drawings TPA1272-2 and TPA1273-2 in this manual.

**WARNING**

**Always turn off the air or gas supply and disconnect the air or gas supply hose before installing, removing or adjusting any accessory on this starter or before performing any maintenance on this starter.**

- Using an 8 mm hex-head wrench, remove Starter Assembly Cap Screws (6) and Cap Screw Washers (7).
- Pull the Housing Exhaust Cover (1) from the Motor Housing (8). To dislodge the Housing Exhaust Cover, rotate it until it clears the Motor Housing. Using a plastic hammer, tap the ears alternately until the Housing Exhaust Cover can be removed from the Motor Housing.

**NOTICE**

**If Exhaust Cover Seal (106) was removed or damaged, replace it with a new Seal.**

- Coat the Exhaust Cover Seal with O-ring lubricant and install in the groove in the Directional Housing Exhaust Cover (101).
- Install Directional Housing Exhaust Cover on the rear of the Motor Housing in the desired orientation and using a plastic hammer, tap the Directional Housing Exhaust Cover until it seats.
- Secure the Directional Housing Exhaust Cover on the rear of the Motor Housing using the Starter Assembly Cap Screws and Cap Screw Washers. Using an 8 mm hex-head wrench, tighten each Cap Screw a little at a time to a final torque of 55 ft-lb (74.5 Nm) in 20 ft-lb (27 Nm) increments.
- Lubricate Exhaust Adapter Seal (105) with O-ring lubricant and install in groove in Exhaust Adapter (104).
- Install Exhaust Adapter with Exhaust Adapter Seal down on Directional Housing Exhaust Cover. Align holes and secure Adapter with Cap Screws (102) and Lock Washers (103). Tighten each Cap Screw a little at a time to a final torque of 48 ft-lb (65 Nm torque) in 20 ft-lb (27 Nm) increments.

## Maintenance

### WARNING

Always wear eye protection when operating or performing any maintenance on this starter. Always turn off the air or gas supply and disconnect the air or gas supply hose before installing, removing or adjusting any accessory on this starter or before performing any maintenance on this starter.

### Lubrication

Each time a Series ST700 Starter is disassembled for maintenance or repair, lubricate the starter as follows:

#### For Models with Inertia Drive

### NOTICE

On models with inertia drive, do not lubricate the threaded area of the Drive Shaft as it could collect dirt and foreign material which will prevent efficient operation.

#### For Models with Pre-Engaged Drive

1. Lubricate the inside diameter of the Drive Shaft (57) with **Ingersoll Rand** No. 130 Grease.
2. Lubricate the Pinion end of the Drive Shaft with **Ingersoll Rand** No. 11 Grease.

3. Wipe a thin film of **Ingersoll Rand** No. 130 Grease in the bore of the Drive Housing (40).
4. Roll the Piston Return Spring (59) in **Ingersoll Rand** No. 130 Grease.
5. Coat the outside of the Piston (54) with **Ingersoll Rand** No. 130 Grease.

#### For All Models

1. Lubricate all O-rings with O-ring lubricant.
2. Lubricate the Front Drive Gear (29) with 8 oz. (240 ml) of **Ingersoll Rand** No. 130 Grease.
3. Coat the Front Bearing Spacer (25) with gear lube before installing.
4. Add 175 ml (approximately 1/3 pint) of Dexron\*\*\* II Automatic Transmission Fluid through the side plug hole in the Motor Housing (8).

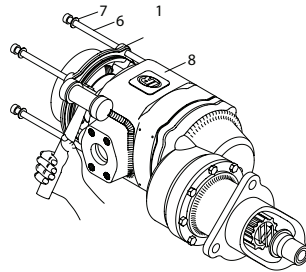
## Disassembly

### General Information

1. Do not disassemble the Starter any further than necessary to replace worn or damaged parts.
2. When grasping a part in a vise, always use copper-covered vice jaws to protect the surface of the part and help prevent distortion. This is particularly true of threaded and die cast members.
3. Do not remove any part which is a press fit in or on a subassembly unless the removal of that part is necessary for replacement or repairs.
4. Always have a complete set of seals and O-rings on hand before starting any overhaul of a Series ST700 Turbine Starter. Never reuse old seals or O-rings.
5. Always mask adjacent parts on the Housing Exhaust Cover (1), Motor Housing (8), Intermediate Gear Case (13), Gear Case (28) and Drive Housing (38) so these members can be located in the same relative position when the Starter is reassembled.
6. Never wash the Inertia Drive in a solvent.
7. Do not press any needle bearing on a part unless you have a new needle bearing on hand for installation. Needle bearings are always damaged during the removal process.

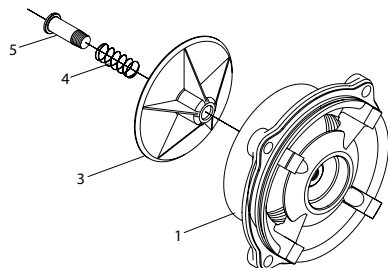
### Disassembly of the Housing Exhaust Cover, Motor Assembly, and Motor Housing

1. If replacing the Motor Assembly (12), remove both Housing Plugs (10) and drain the oil from the gearing before beginning disassembly of the Starter. Inspect the Magnetic Housing Plugs (10) for metal particles. Very fine metal particles are normal. Remove particles and reinstall plugs. Large particles or chips are an indication of a problem. Disassemble Gear Case (28) and inspect.
2. Using an 8 mm hex-head wrench, unscrew and remove the Starter Assembly Cap Screws (6) and Washers (7).
3. Pull the Housing Exhaust Cover (1) from the Motor Housing (8). To dislodge the Housing Exhaust Cover, rotate it until the ears clear the Motor Housing. Using a plastic hammer, tap the ears alternately until the Housing Exhaust Cover can be removed from the Motor Housing. Refer to Dwg. TPD1159.



(Dwg. TPD1159)

4. Remove the Deflector Retaining Screw (5), Deflector Retaining Spring (4) and the Splash Deflector (3) from the Housing Exhaust Cover. Refer to Dwg. TPD1160.

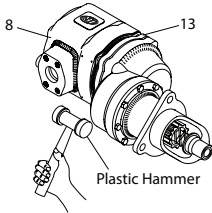


(Dwg. TPD1160)

\*\*\* Registered trademark of Exxon Corporation.

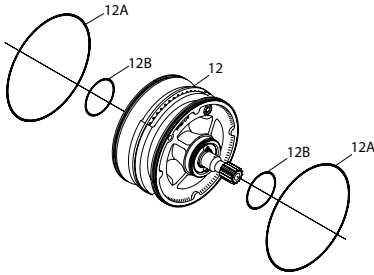


- Tap the Motor Housing with a plastic hammer to dislodge it from the Intermediate Gear Case (13). Refer to Dwg. TPD1162.



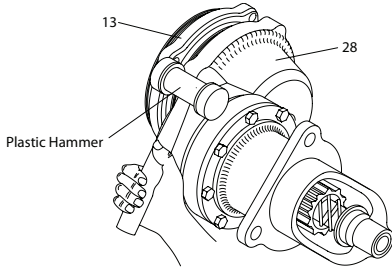
(Dwg. TPD1162)

- Grasp the rear of the Motor Assembly (12) and pull it from the rear of the Motor Housing. If the Motor Assembly is difficult to remove, lightly push the motor pinion which is on the front of the Motor Assembly toward the exhaust side of the Motor Housing in order to free the Motor Assembly. Refer to Dwg. TPD1161.



(Dwg. TPD1161)

- Tap the Intermediate Gear Case with a plastic hammer to dislodge it from the Gear Case (28). Refer to Dwg. TPD1164.



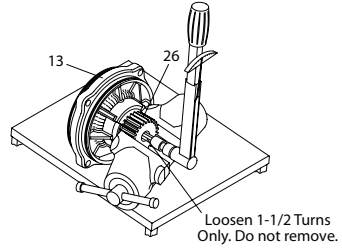
(Dwg. TPD1164)

- Position the Intermediate Gear Case on a bench in a copper-faced vise so that the Intermediate Pinion (26) is secured in the jaws of the vise. Tighten the vise only enough to hold the Intermediate Pinion securely.
- Loosen the Intermediate Pinion Retaining Screw (27) 1-1/2 turns only. **Do not remove.**

**WARNING**

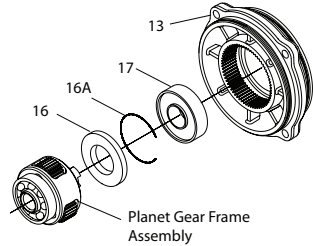
If the Intermediate Gear Case is not supported on a bench and if the Intermediate Pinion Retaining Screw is completely removed, the Intermediate Gear Case and components could fall causing injury.

Tap the Intermediate Pinion lightly to back the Planet Gear Frame Assembly out of the Intermediate Gear Case. Refer to Dwg. TPD1169.



(Dwg. TPD1169)

- Remove the Intermediate Gear Case Assembly from the vise and remove the Intermediate Pinion. Remove the Rear Gear Case O-ring (14) and Front Gear Case O-ring (15) from the Intermediate Gear Case.
- Remove the Planet Gear Frame Assembly from the Intermediate Gear Case. Using a sleeve that contacts the outer race of the Front Gear Frame Bearing (17), press the Planet Gear Frame Shaft Seal (16) and the Front Gear Frame Bearing (17) from the front end and out of the rear of the Intermediate Gear Case. Refer to Dwg. TPD1166.

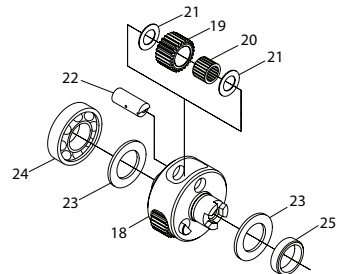


(Dwg. TPD1166-1)

- Using a bearing puller, remove the Rear Gear Frame Bearing (24) from the Planet Gear Frame (18) and remove the Gear Shaft Retaining Washer (23).
- Remove the Planet Gear Shafts (22), Planet Gears (19), Planet Gear Bearings (20) and Bearing Spacers (21).
- Using a bearing puller, remove the Front Bearing Spacer (25) and the Gear Shaft Retaining Washer (23) from the front of the Planet Gear Frame by pressing on the front of the Planet Gear Frame Shaft. Refer to Dwg. TPD1167.

**WARNING**

Remove the Gear Shaft Retaining Washer only if the Washer or Front Bearing Spacer is damaged.

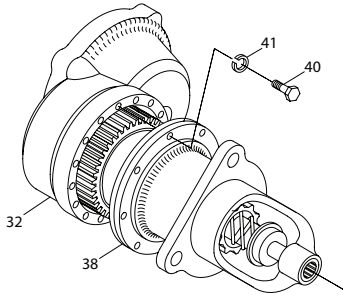


(Dwg. TPD1167)

## Disassembly of the Drive Housing

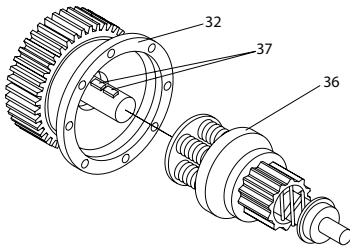
### Inertia Models:

1. Remove the eight Drive Housing Cap Screws (40) and Lock Washers (41).
2. Tap the Drive Housing (38) with a plastic hammer to help dislodge it from the Gear Case Cover (32). Remove the Drive Housing (38) from the Starter Drive (36). Refer to Dwg. TPD1168.



(Dwg. TPD1168)

3. Place the Drive Housing in an arbor press, bearing end up. Using a pressing bar remove the Drive Housing Bearing (39) the Drive Housing.
4. Using a screwdriver, displace the locking spring and remove the screw holding the Starter Drive (36) to the Drive Gear Shaft.
5. Slide the Starter Drive off the Drive Gear Shaft.
6. Remove the two Drive Gear Keys (37) from the Drive Gear Shaft. Refer to Dwg. TPD1171.



(Dwg. TPD1171)

7. Remove the Gear Case Cover from the Gear Case.
8. Remove the Drive Housing G-ring (35) and the Gear Case Cover Seal (33) from the Gear Case Cover.
9. Pull the Drive Gear (30) out of the Gear Case.
10. Remove the Rear Drive Gear Bearing (31) and the Front Drive Gear Bearing (30) from the Drive Gear.

### Pre-Engaged Models:

1. Grasp the Drive Pinion (63) in a copper-faced vise with the Starter supported on the workbench.
2. Remove the Drive Pinion Retaining Screw (61).

### NOTICE

**Models ending in R25, R31 and R51 have a left-hand thread. Models ending in L26, L32 and L52 have a right-hand thread.**

3. Remove the Starter from the vise.
4. Remove the Drive Pinion Washer (62) and the Drive Pinion.
5. Slide the Pinion Spring Sleeve (64) and the Pinion Spring (65) off the Drive Shaft.

6. Using an impact wrench with a 5/16" (8 mm) x 8" (203 mm) long hex inserted into the end of the Drive Shaft, unscrew the Drive Gear Screw (34).
7. Unscrew and remove the Drive Housing Cap Screws (38) and Lock Washers (39).
8. Tap the Drive Housing (40) with a plastic hammer to help dislodge it from the Gear Case (28).

### WARNING

**Failure to follow this procedure could result in injury to personnel.**

9. Place the Drive Housing in an arbor press, piston end up. Apply a load to the Piston (54) using the arbor press to compress the Piston Return Spring (59) before removing the Bulkhead Retainer (45). **Do not use compressed air to load the Piston.**
10. Using a screwdriver, remove the Bulkhead Retainer. Use off the arbor press.

### CAUTION

**Make sure the tension of the spring pushes the Bulkhead out of the Drive Housing before removing the Drive Housing from the arbor press.**

11. Remove the Bulkhead (46) from the Piston.
12. Remove the Outer Bulkhead Ring (47) and the Inner Bulkhead Ring (48).
13. Slide the Drive Shaft (57) from the Drive Housing.
14. Pull the Piston Return Spring (59) off the Drive Shaft.

### NOTICE

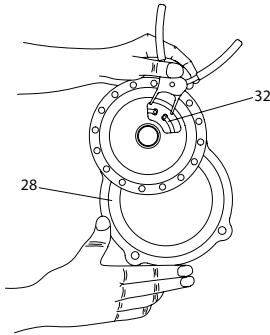
**Do not remove the Front Drive Shaft Bearing (42) or the Drive Housing Seal (43) unless replacement is necessary and new parts are available. The Bearing and/or the Seal will always be damaged when removed from the Drive Housing.**

15. Remove the Piston Ring (55) from the Piston.
16. Insert a large screwdriver blade through the Piston Seal (56) so that it rests on top of the Clutch Spring Cup (50). Pry the Seal out of the Piston.

### NOTICE

**This operation will damage the Piston Seal. Therefore, a replacement Piston Seal must be on hand.**

17. Press the Clutch Spring Cup (50) down and remove the Clutch Spring Cup Retainer (49).
18. Remove the Clutch Spring Cup and Clutch Spring (51).
19. Remove the two Clutch Jaws (52).
20. Remove the Front Drive Gear Bearing (30), Drive Gear Cup (46), Drive Gear Lock Washer (35), Drive Gear Screw Ring (37) and Drive Gear Screw (34).
21. Using a screwdriver, remove the large Drive Shaft Bearing Retainer (53)
22. Press the Rear Drive Shaft Bearing and Drive Shaft (57) out of the Piston. If the Rear Drive Shaft Bearing needs to be replaced, proceed as follows:
  - a. Using a small chisel, cut and remove the small drive shaft bearing retained in the Drive Shaft.
  - b. Press the Rear Drive Shaft Bearing (58) off the Drive Shaft.
23. Place the Gear Case (28) on a workbench
24. Using retaining ring pliers and working through the access holes in the gear web, remove the Drive Gear Bearing Retainer (32). Refer to Dwg. TPD1170.



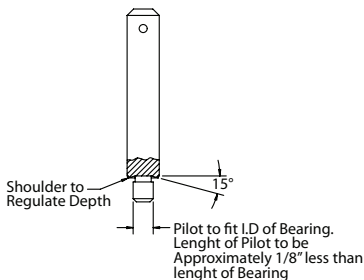
(Dwg. TPD1170)

## Assembly

### General Instructions

1. Always press on the **inner** ring of a ball-type bearing when installing the bearing on a shaft
2. Always press on the **outer** ring of a ball-type bearing when pressing the bearing into a bearing recess.
3. Whenever grasping a starter or part in a vise, always use leather-covered or copper-covered vise jaws. Take extra care with threaded parts or housings.
4. Except for bearings, always clean every part and wipe every part with a thin film of oil before installation.
5. Check every bearing for roughness. If an open bearing must be cleaned, wash it thoroughly in a suitable cleaning solution and dry with a clean cloth. Sealed or shielded bearings should never be cleaned. Work grease thoroughly into every open bearing before installation.
6. Apply a film of O-ring lubricant to all O-rings before final assembly.
7. Unless otherwise noted, always press on the stamped end of a needle bearing when installing the needle bearing in a recess. Use a bearing inserting tool similar to the one shown in Dwg. TPD786.

### Needle Bearing Inserting Tool



(Dwg. TPD786)

### Assembly of the Gear case and Drive Housing Inertia Drive Models:

#### NOTICE

**On models with Inertia Drive, do not lubricate threaded area of the Drive Shaft as it could collect dirt and foreign material which will hinder efficient operation.**

25. Pull the Drive Gear (29) out of the Gear Case.

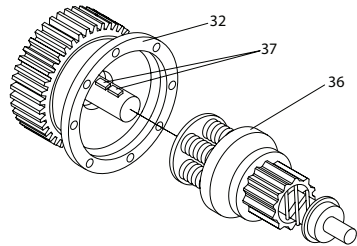
#### NOTICE

**Do not disassemble the Drive Gear and Clutch parts of Series ST700 Turbine-Powered Starters. If the Drive Shaft is defective, install a new or factory-rebuilt unit.**

26. Using retaining ring pliers, remove the Drive Gear Shaft Bearing Retainer (33).
27. Remove the Rear Drive Gear Bearing (31) from the Drive Gear.

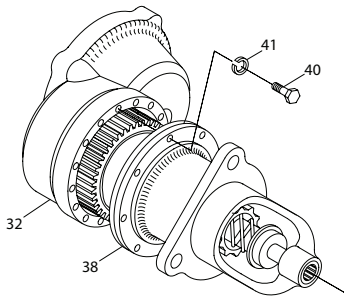
### Gear Case

1. Install the Rear Drive Gear Bearing (31) and Front Drive Gear Bearing (30) onto the Drive Gear (29).
2. Install the two Drive Gear Keys (37) into the drive gear shaft. Refer to Dwg. TPD1171.



(Dwg. TPD1171)

3. Slide the Rear Drive Gear Bearing into the Gear Case.
4. Lubricate the Drive Gear with approximately 8 oz. (240 ml) of **Ingersoll Rand** No. 130 Grease.
5. Press the Drive Gear Shaft Seal (34) down into the Gear Case Cover (32) lip facing upward.
6. Install the Gear Case Cover O-ring (33) onto the Gear Case Cover.
7. Install the Gear Case Cover into the Gear Case.
8. Slide the Starter Drive (36) onto the drive gear shaft and tighten the Starter drive locating ring and screw securely.
9. Press the Drive Housing Bearing (39) into the Drive Housing (38) and lubricate with **Ingersoll Rand** No. 130 Grease. See Dwg. TPD786.
10. Install the Drive Housing O-ring (35) onto the Drive Housing.
11. Install the Drive Housing onto the Gear Case, aligning the punches.
12. Install the eight Drive Housing Cap Screws (40) and Drive Housing Cap Screw Lock Washers (41). Tighten to 28 ft-lb (38 Nm) torque. Refer to Dwg. TPD1168.

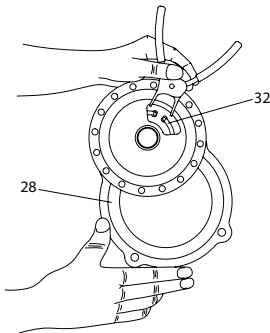


(Dwg. TPD1168)

### Assembly of the Gear case and Drive Housing Pre-Engaged Models:

#### Gear Case

1. Place the Drive Gear Bearing Retainer over the rear end of the Drive Gear.
2. Using an arbor press, press the Rear Drive Gear Bearing (31) onto the rear end of the Drive Gear.
3. Using a plastic hammer, seat the Rear Drive Gear Bearing into the Gear Case by tapping the opposite end of the Drive Gear.
4. Using retaining ring pliers, install the Drive Gear Shaft Bearing Retainer (33).
5. Using retaining ring pliers and working through the access holes in the gear web, install the Drive Gear Bearing Retainer. Refer to Dwg. TPD1170.



(Dwg. TPD1170)

6. Lubricate the Drive Gear with approximately 8 oz. (240 ml) of **Ingersoll Rand** No. 130 Grease.
7. Press the Rear Drive Shaft Bearing (58) onto the Drive Shaft.
8. Slide the small bearing retainer convex side first, onto the Drive Shaft. Press it into position in accordance with the instructions packaged with the new Retainer.
9. Assemble the Drive Gear Screw (34), Drive Gear Lock Washer (35), Drive Gear Cup (36) and Drive Gear Screw O-ring (37).
10. Grasp the Drive Shaft (57) in a vise, external splined end down. Place assembled Drive Shaft Screw Unit into the Drive Shaft, screwhead down. Lubricate the inside diameter of the Drive Shaft with **Ingersoll Rand** No. 130 Grease.
11. Slide the Drive Gear Bearing (30) into the Drive Shaft.
12. Lubricate with **Ingersoll Rand** No. 130 Grease and install the Driving Clutch Jaw teeth facing up and Driven Clutch Jaw teeth facing down into the Drive Shaft.
13. Insert the Clutch Spring (51) into the Drive Shaft.

14. Insert the Clutch Spring Cup (50) into the Drive Shaft.
15. Press the inserted parts into the Drive Shaft, and install the Clutch Spring Cup Retainer (49).

#### NOTICE

If it is necessary to replace the Drive Housing (40) and drive components, make sure that the Piston Seal (part number 55800-272) has been removed from the rear of the new Piston (54). The Piston Seal must be removed to prevent pressure build-up which will cause movement of the Planet Gear Frame Shaft Seal (16). If this condition occurs, the Piston cannot retract and the Drive Pinion (63) will remain in engagement with the flywheel, causing damage to the Starter drive train and/or Starter motor. To remove the Piston Seal, insert a screwdriver inside the lip of the Seal and pry it loose from the Piston.

16. Install the Piston (54) onto the Drive Shaft until the Rear Drive Shaft Bearing seats into the Piston.
17. Using a thin flat blade screwdriver to assist in this operation, coil the Large Drive Shaft Bearing Retainer (53) into the groove of the Piston to retain the outer race of the Drive Shaft Bearing.
18. Using O-ring Lubricant, lubricate the Piston O-ring (55) and install it in the groove of the Piston.
19. Position the Drive Housing in an arbor press, pinion-end down and install the Drive Housing Seal (43) into the Drive Housing. Using a pressing sleeve of the proper size; press the Seal into the Drive Housing so that the lip of the seal faces towards the Drive Pinion.
20. Using a sleeve that contacts the outer race of the Front Drive Shaft Bearing (42), press the Bearing into the Drive Housing until it seats. For "B" and "C" ratio models only, drop the Piston Return Spring Seat (60) on top of the Front Drive Shaft Bearing. (See illustration TPA 1273-5 on page 16.)
21. Slide the Piston Return Spring (59) onto the Drive Shaft and snap it into the front of the Piston so that it is against the Large Drive Shaft Bearing Retainer (53).
22. Lubricate and insert the assembled Drive Shaft into the Drive Housing.
23. Using O-ring lubricant, lubricate and install the Outer Bulkhead O-ring (47) and the Inner Bulkhead O-ring (48) on the Bulkhead (45).
24. Slide the Bulkhead onto the Piston.
25. With the Drive Housing in the arbor press, press down on the rear face of the Piston.

#### NOTICE

Feel the underside of the Drive Housing to make sure the Drive Shaft passes through the Bearing.

26. Using a screwdriver, install the Bulkhead Retainer (45).

#### NOTICE

Make sure the Bulkhead Retainer is properly seated in the Motor Housing groove before easing off the arbor press. Failure to do so will allow improperly retained parts to separate when removed from the arbor press resulting in injury to personnel.

27. Remove the Drive Housing from the arbor press.
28. Using O-ring lubricant, lubricate and install the Drive Housing O-ring (41) in the groove of the Drive Housing.
29. Position the assembled Gear Case on a workbench. The assembled unit must be upright to accept the Drive Housing.
30. Carefully position the assembled Drive Housing (40) onto the Gear Case so as not to damage the Piston Seal. Align the punch marks of the Gear Case and Drive Housing.
31. Install the Drive Housing Cap Screw Lock Washers (39) and the Drive Housing Cap Screws (38) and tighten to 28 ft-lb (38 Nm) torque.
32. Using an impact wrench with a 5/16" (8 mm) x 8" (203 mm) long hex inserted into the end of Drive Shaft, tighten the Drive Gear Screw (34) to 29 ft-lb (39.3 Nm) torque.

- Lubricate using **Ingersoll Rand** No. 11 Grease and slide the Pinion Spring (65) and the Pinion Spring Sleeve (64) over the Pinion end of the Drive Shaft.
- Lubricate the Pinion end of the Drive Shaft with **Ingersoll Rand** No. 11 Grease and install the Drive Pinion (63).
- Grasp the Drive Pinion in a leather-covered or copper-covered vise with the starter supported on a workbench.
- Place the Drive Pinion Washer (62) onto Drive Pinion Retaining Screw (61).

**NOTICE**

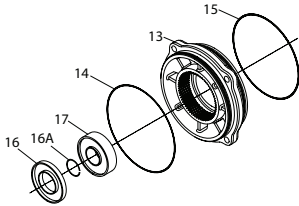
**Models ending in R25, R31 and R51 have a left-hand thread; models ending in L26, L32 and L52 have a right-hand thread. Install the Drive Pinion Retaining Screw into the end of the Drive Shaft and tighten it to 80 ft-lb (108.5 Nm) torque for models with "B" and "C" gear ratios and to 125 ft-lb (169.5 Nm) torque for models with "D" gear ratio.**

**Assembly of the Intermediate Gear Case, Motor Housing, Motor Assembly and Housing Exhaust Cover**

- Using a bearing pressing tool of the proper size, press the Front Gear Frame Bearing (17) into the rear of the Intermediate Gear Case (13). Place Spacer Ring (16A) on Bearing.
- Using a sleeve which contacts the outer ring of the seal, press the Planet Gear Frame Shaft Seal (16) into the rear of the Intermediate Gear Case over the Front Gear Frame Bearing. Refer to Dwg. TPD1172-1.

**NOTICE**

**Make sure the flat side of the Seal is installed against the Bearing.**



(Dwg. TPD1172-1)

- Install the Rear Gear Case O-ring (14) in the groove at the rear of the Intermediate Gear Case and the Front Gear Case O-ring (15) in the groove at the front of the Intermediate Gear Case. Coat both O-rings with O-ring lubricant.
- Install one Gear Shaft Retaining Washer (23) on the front of the Planet Gear Frame (18). Press the Front Bearing Spacer (25) on the front shaft of the Planet Gear Frame to hold the Gear Shaft Retaining Washer snugly in position.

**NOTICE**

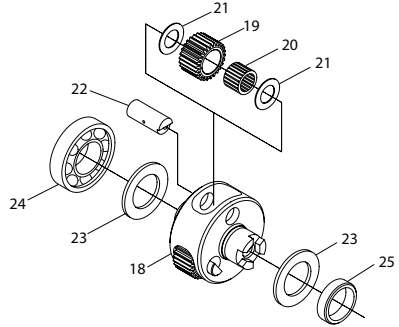
**Coat the Front Bearing Spacer with Gear Lube before installing it. Be careful not to gouge or scratch the Front Bearing Spacer during installation as this could result in leakage between the Planet Gear Frame and Gear Case.**

- Place Planet Gear Frame on a bench, shaft side down. Place the Planet Gear Bearing (20) inside of Planet Gear (19). Place Bearing Spacers (21) on top and bottom of Bearing and Gear. Slide the components into the slots in the side of the Planet Gear Frame. Align holes in Spacers and Bearing with holes in Planet Gear Frame and insert Planet Gear Shaft (22), integral keyed end down, through the Spacers and Bearing so that the larger portion of the keyed end of the Shaft contacts the Planet Gear Shaft Retaining Washer. Repeat the procedure for the two remaining Planet Gears and Components.

**NOTICE**

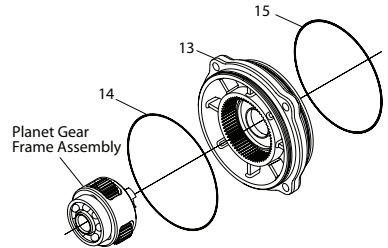
**Do not move or turn over the Planet Gear Frame until steps 6 and 7 have been completed. Movement of the Planet Gear Frame Assembly could dislodge assembled components, making it necessary to repeat Step 5.**

- Install the other Planet Gear Shaft Retaining Washer over the shaft at the rear of the Planet Gear.
- Using the proper size bearing inserting tool, press the Rear Gear Frame Bearing (24) on the shaft at the rear of the Planet Gear Frame. Refer to Dwg. TPD1167.



(Dwg. TPD1167)

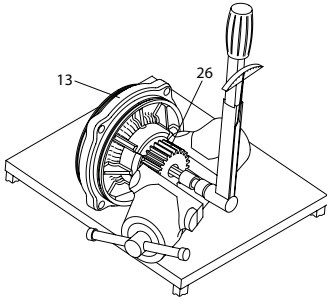
- Slide the Planet Gear Frame Assembly, coupling end first, into the rear of the Intermediate Gear Case (13), making sure that the Planet Gears mesh with the ring gear. Use care so as to not damage the seal. Refer to Dwg. TPD1173.



(Dwg. TPD1173)

- Install the Intermediate Pinion (26) making sure that the notches at the rear of the Pinion align with the notches and tangs in the shaft of the Planet Gear Frame.
- Clean the threads of the Intermediate Pinion Retaining Screw (27) and apply 2-3 drops of PermaBond HM118\*\*\*\* to the threads approximately 3 mm from the end of the Screw. Install Screw and tighten enough to hold assembly together.
- For final tightening, position the Intermediate Gear Case so the Intermediate Pinion is secured in the jaws of a leather-covered or copper-faced vise. Tighten the Intermediate Pinion Retaining Screw to 90 ft-lb (122 Nm) torque. Refer to Dwg. TPD1204.

\*\*\* Registered trademark of PermaBond Corporation.



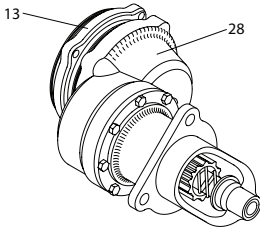
(Dwg. TPD1204)

- Remove the Intermediate Gear Case from the vise and set it on a bench.

**NOTICE**

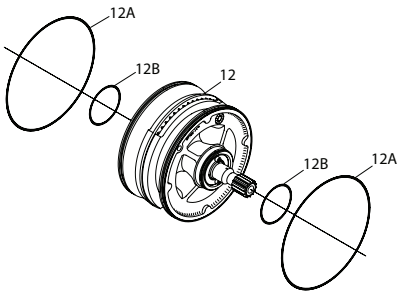
**The Intermediate Gear Case will work in only one orientation.**

Align the punch marks on the Intermediate Gear Case and Gear Case and using a plastic hammer, tap the Intermediate Gear Case until it seats in the rear of the Gear Case. Make sure the Intermediate Pinion meshes with Drive Gear. Refer to Dwg. TPD1165.



(Dwg. TPD1165)

- Before installing the Motor Assembly, coat the O-rings on the Motor Assembly and the inside of the Cylinder with O-ring lubricant. Install the Motor Assembly through the rear of the Motor Housing with the geared end of the rotor toward the front. Refer to Dwg. TPD1161.

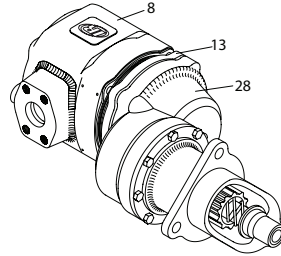


(Dwg. TPD1161)

**NOTICE**

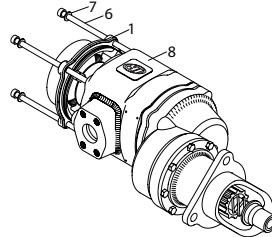
**Turn the Intermediate Pinion so that the gear on the rotor meshes with the Planet Gears. Make sure that the rear of the Motor Assembly is installed flush with the rear of the Cylinder.**

- Align the punch marks on the Motor Housing with the punch marks on the Intermediate Gear Case and using a plastic hammer, tap the Motor Housing until it seats on the rear of the Intermediate Gear Case. Refer to Dwg. TPD1163.



(Dwg. TPD1163)

- Coat the Exhaust Cover Seal (2) with O-ring lubricant and install in the groove on the Housing Exhaust Cover.
- Align the punch marks on the Housing Exhaust Cover with the punch marks on the Motor Housing and using a plastic hammer, tap the Housing Exhaust Cover until it seats.
- Install the Housing Exhaust Cover on the rear of the Motor Housing using the Starter Assembly Cap Screws (6) and Cap Screw Washers (7). Use an 8 mm hex-head wrench to tighten each a little at a time to a final torque of 45 to 50 ft-lb (61 to 68 Nm). Refer to Dwg. TPD1183.



(Dwg. TPD1183)

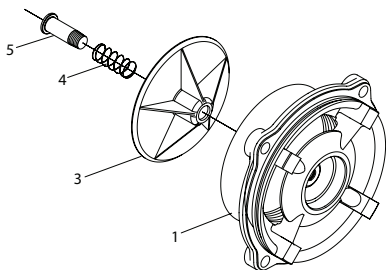
**NOTICE**

**When assembling the exhaust cover to the starter, add 15 ml of Dextron\*\*\*\*II Automatic Transmission Fluid through the pipe plug hole in the Exhaust Cover.**

- Install the Splash Deflector (3), Deflector Retaining Spring (4) and Deflector Retaining Screw (5) in the rear of the Housing Exhaust Cover. Refer to Dwg. TPD1160.

**NOTICE**

**Coat the threads of the Deflector Retaining Screw with Ingersoll Rand SMB-441 Sealant.**



(Dwg. TPD1160)

**NOTICE**

Use Ingersoll Rand SMB-441 Pipe Sealant on all plugs.

**Test and Inspection Procedure**

1. **Clutch Ratcheting:** Turn the Drive Shaft Pinion (63) by hand in the direction of Starter rotation. The clutch should ratchet smoothly with a slight clicking action.
2. **Motor and Gearing Freeness:** Turn the Drive Shaft Pinion (63) opposite the direction of Starter rotation. The Drive Shaft Pinion should turn by hand.

**NOTICE**

**Inadvertent application of air pressure to the "OUT" port will result in Drive malfunction (Pinion will fail to retract). If this condition occurs, loosen Drive Housing Cap Screws (38) to vent Gear Case (21). Also, loosen Housing Plugs (10) and (11) to vent Motor.**

3. **Pinion Engagement:** Apply 50 psig (3.4 bar/345 kPa) pressure to the engagement "IN" Port. Drive Shaft Pinion (63) should move outward and air or gas should escape from the "Out" Port. Plug the "Out" Port and apply 150 psig (10.3 bar/1034 kPa) pressure to the "IN" Port. Check and make sure no air or gas is escaping. Measure the dimension from the face of the Drive Shaft Pinion (63) to the face of the mounting flange. It should be 2-23/32" (69.0 + 2.0 mm) for models with "B" and "C" ratio gearing and 8-3/4" (222 + 2.0 mm) for models with "D" ratio gearing. Remove the pressure from the "IN" Port. Measure the distance from the face of the Drive Shaft Pinion to the face of the mounting flange. It should be 1-25/32" (45.0 + 2.0 mm) for models with "B" and "C" ratio gearing and 7-3/32" (180 + 2.0 mm) for models with "D" ratio gearing.
4. **Motor Action:** Secure Starter in a vise and apply 90 psig (6.2 bar/620 kPa) pressure using a 3/8" (9 mm) supply line to the inlet of the motor. Starter should run smoothly.
5. **Motor Seals:** Plug the exhaust and slowly apply 20 psig (1.38 bar/138 kPa) pressure to the inlet of the motor. Immerse the Starter for 30 seconds in a nonflammable, bubble-producing liquid. If the Starter is properly sealed, no bubbles will appear.
6. **Gear Case Seals:** Plug the exhaust and slowly apply 20 psig (1.38 bar/138 kPa) pressure to the inlet of the motor. Immerse the Starter for 30 seconds in a nonflammable, bubble-producing liquid. There should be no leakage in the housing joints in the Gear Case area or in the shaft seal in the Intermediate Gear System. If the Starter is properly sealed, no bubbles will appear.
7. **Confirm Motor Rotation:** Remove Housing Plug (10). Use a 1/4" hex drive to rotate the motor to verify proper motor adjustment. Intermediate Gearing output should rotate opposite the required Starter rotation while observing from the pinion side. Replace Housing Plug.

19. Install the bottom Housing Plug (10) and the Housing Plug Inlet Boss (11). Put the Starter on its side with the side plug hole upward. Add 175 ml (approximately 1/3 pint) of Dexron® II Automatic Transmission Fluid through the side plug hole in the Motor Housing (8).

**CAUTION**

**Do not overfill.**

Install the side Housing Plug (10) and tighten all plugs to 5 to 10 ft-lb (6.8 to 13.6 Nm) torque.

8. **Orientation:** Drive Housing must be assembled to customer orientation or per engineering drawing. If orientation is not specified by customer, standard orientation will be supplied. Check dimension prints on page 5, 6 and 7.
9. **Confirm Drive Rotation:** Apply low pressure to motor and observe rotation. Drive Pinion (63) must rotate in the direction stamped on the nameplate. Chamfer on pinion teeth should be on trailing edge of gear tooth.
10. **Bendix Drive Function-Inertia Models Only:** Install Starter on testing fixture. Apply low pressure air to motor. Bendix must engage according to specified rotation.
11. **Drive Housing Function-Pre-Engaged Models Only:** Apply 120 psig (8.27 bar/8.27 kPa) to "IN" port of Drive Housing (40). Cycle five times. Air should exhaust through "OUT" port during each cycle.
12. **Free Speed (All Models):** Install the Starter on a testing fixture with proper containment system. Apply 90 psig (6.2 bar/ 620 kPa) to motor inlet.

**Free speed specifications should be as follows:**

	MAXIMUM	MINIMUM
"B" ratio	4600 rpm	4500 rpm
"C" ratio	4130 rpm	3660 rpm
"D" ratio	3100 rpm	2870 rpm

13. **Exhaust Deflector Operation:** Install Starter on testing fixture. Apply low air pressure to motor and observe. Deflector must return to its normal position tier operation of the Starter.
14. **Concentricity and Squareness of Shaft to Housing "D" Ratio Only:** Assemble indicator on shaft. Indicate pilot diameter. Check squareness of face at mounting surface. Pilot diameter must be concentric within 0.008 max. T.I.R. Mounting face must be square with shaft within 0.004 T.I.R. max.
15. **Drive Housing Leakage-P-Engaged Models Only:** Plug Drive Housing (40) "OUT" port and apply 50 psig (3.45 bar/345 kPa) to "IN" port to extend Drive Shaft (57). There should be no leakage.
16. **Test Pinion Engagement-P-Engaged Models Only:** Plug "OUT" port in Drive Housing (40). Apply 50 psig (3.45 bar/345 kPa) as needed. In its normal position, the distance from the mounting flange to the end of the Drive Shaft (57) should be 1-3/4". In its extended position, the distance from the mounting flange to the end of the Drive Shaft should be 2-7/8". While the Drive Shaft is extended, push Drive Pinion (63) back on helical splined shaft. Rear face of Drive Pinion must move back 0.47" ± 0.035".

## Troubleshooting Guide

Trouble	Probable Cause	Solution
Motor will not run	No air supply	Check for blockage or damage to air supply lines or tank.
	Damaged Motor Assembly	Inspect Motor Assembly and power train and repair or replace if necessary.
	Foreign material in Motor and/or piping	Remove Motor Assembly and/or piping and remove the blockage
	Blocked exhaust system	Remove Housing Exhaust Cover and check for blockage.
	Defective Control Valve or Relay Valve	Replace Control Valve or Relay Valve.
Loss of Power	Low air pressure to Starter	Check air supply.
	Restricted air supply line	Check for blockage or damage to air lines.
	Relay Valve malfunctioning	Clean or replace lines or Relay Valve. Lubricate Relay Valve.
	Exhaust flow restricted	Check for blocked or damaged piping. Clean or replace piping Check for dirt or foreign material and clean or remove. Check for ice build-up. Melt ice and reduce moisture build-up to Starter.
	Damaged Motor Assembly	Replace Motor Assembly.
<b>For Models with Inertia Drive:</b>		
Drive will not engage	Foreign material in Starter Drive	Remove obstruction.
	Damaged or worn Drive parts	Check Drive components and replace if necessary.
<b>For Models with Pre-Engaged Drive:</b>		
Drive will not engage	No pressure to Drive Housing port	Check air supply.
	Internal Drive Housing ports blocked	Remove blockage.
	Fluid in drive unit components	Remove fluid.
	Damaged or worn Piston Assembly, O-rings or seals	Replace damaged or worn parts.
	O-rings and seals dry	Re-lube O-rings and seals.
Motor runs, Pinion engages, but does not rotate flywheel	Damaged or broken drive train	Disassemble drive train and replace worn or damaged parts.
Excessive butt engagement	Damaged Drive Pinion or flywheel	Inspect Drive Pinion and flywheel and replace if necessary.
	Damaged Starter Drive or components	Inspect Drive components and replace worn or damaged parts.
	Low air pressure	Check air supply
	Wrong Drive Pinion	Replace with proper Drive Pinion.
Oil blowing out of exhaust	Oil in air supply line	Inspect air line and remove source of oil.
	Splash Deflector Retaining Screw or pipe plug missing	Install Splash Deflector Retaining Screw or pipe plug.
	Worn or damaged rotor seals or static O-Rings	Replace static seals on outside of Motor or send Motor to <b>Ingersoll Rand</b> to be rebuilt.
Oil leaking from Gear Case	Worn or damaged O-Rings	Replace O-Rings.
	Loose joints.	Make sure that joints fit properly and Starter Assembly Cap Screws are tightened to 60 ft-lb (81 Nm) torque. Make sure all seals and O-Rings fit and seal properly at their perimeters. If they do not, replace with new seals and O-Rings.
	Excessive high-speed operation	Operate according to recommendations.
	High number of start cycles	Replace worn components.
	Loose or leaking Pipe Plugs	Tighten or replace Pipe plugs using <b>Ingersoll Rand</b> SMB-441 Pipe Sealant.
Air or gas leakage	Splash Deflector Retaining Screw or pipe plug missing	Tighten Splash Deflector Retaining Screw or replace pipe plug.
	Loose Joints.	Make sure that joints fit properly and that Starter Assembly Cap Screws are tightened to 60 ft-lb (81 Nm) torque. Make sure that all seals and O-Rings fit and seal properly at their perimeters. If they do not, replace with new seals and O-Rings.
	Excessive high-speed operation	Operate according to recommendations.
	High number of start cycles	Replace worn components.
	Loose or leaking Pipe Plugs	Tighten or replace pipe plugs.
	Splash Deflector Retaining Screw loose or pipe plug missing	Tighten Splash Deflector Retaining Screw or replace pipe plug.



---

## Parts and Maintenance

 **CAUTION**

**The use of other than genuine Ingersoll Rand replacement parts may result in safety hazards, decreased motor performance, and increased maintenance, and may invalidate all warranties.**

**Ingersoll Rand is not responsible for customer modification of Starters for applications on which Ingersoll Rand was not consulted. Repairs should be made only by authorized trained personnel. Consult your nearest Ingersoll Rand Authorized Service center.**

When the life of the Starters has expired, it is recommended that the Starters be disassembled, degreased and parts be separated by material so that they can be recycled.

Manuals can be downloaded from [ingersollrandproducts.com](http://ingersollrandproducts.com)

Refer all communications to the nearest **Ingersoll Rand** Office or Distributor.

---

**Notes:**

**Notes:**

---

[ingersollrandproducts.com](http://ingersollrandproducts.com)

© 2014 Ingersoll Rand

