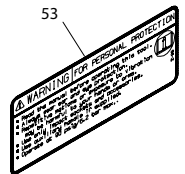
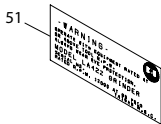
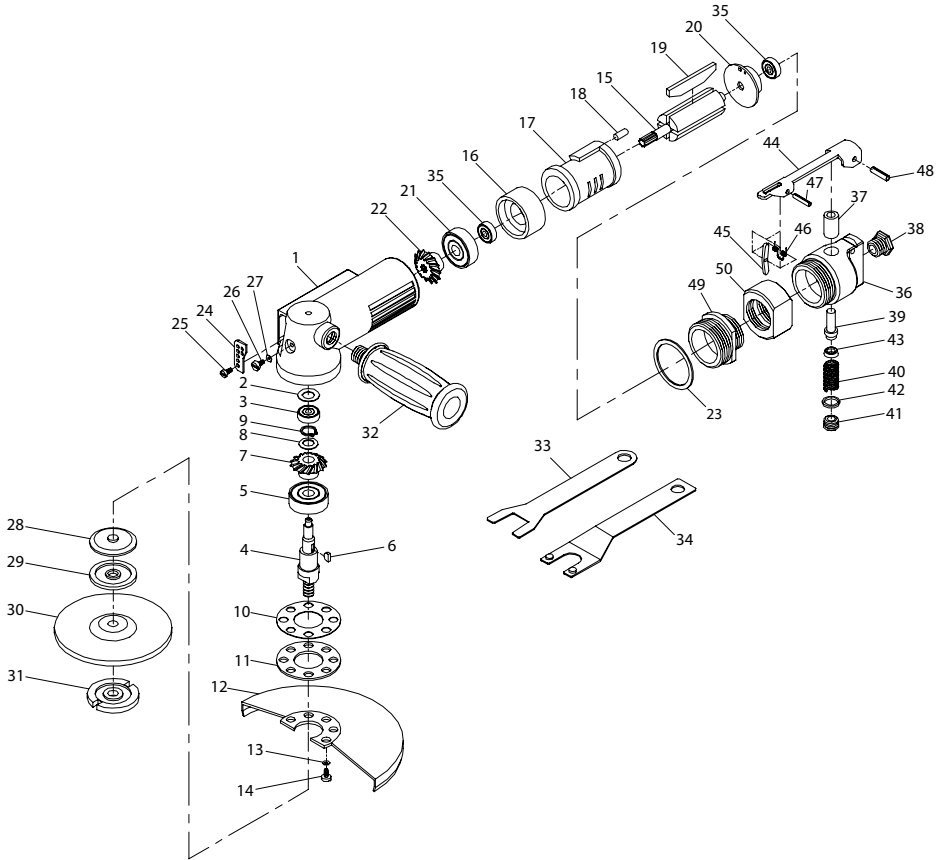


LA421-EU and LA422-EU Air Angle Grinder - Exploded View



(Dwg. TPA1367)



LA421-EU and LA422-EU Air Angle Grinder - Parts List

Item	Part Description	Part Number	(CCN)	Item	Part Description	Part Number	(CCN)
1	Housing	LA421-DG-40001	(04200994)	30	Wheel		
2	Plate	LA421-DG-40002	(04201000)		for Model LA421-EU (4")	LA421-AG-40059	(04201356)
3	Bearing	LA421-BB-06262	(04201018)		for Model LA422-EU (5")	LA422-AG-40059	(04204228)
4	Arbor	LA421-DG-40004	(04201026)	31	Nut		
5	Bearing	LA421-BB-62022	(04201034)		for Model LA421-EU (4")	LA421-AG-30054	(04201364)
6	Key	LA421-WK-0313A	(04201042)		for Model LA422-EU (5")	LA422-AG-30054	(04204210)
7	Gear	LA421-DG-40007	(04201059)	32	Handle	LA421-AP-70047	(04201372)
8	Washer	LA421-WW-0010	(04201067)	33	Wrench	LA421-DG-40048	(04201380)
9	Ring	LA421-STW-010	(04201075)	34	Wrench	LA421-AG-30058	(04201398)
10	Gasket	LA421-DG-40010	(04201083)	35	Bearing (QTY. 2)	LA421-BB-06082	(04201406)
11	Retainer	LA421-DG-40011	(04201091)	36	Housing	LA421-DG-40051	(04201414)
12	Guard			37	Bushing	LA421-DG-40052	(04201422)
	for Model LA421-EU (4")	LA421-DG-40012	(04201109)	38	Bushing	LA421-AR-38001	(04201430)
	for Model LA422-EU (5")	LA422-DG-40012	(04204251)	39	Valve Stem	LA421-DG-40054	(04201448)
13	Washer (QTY. 5)	LA421-SW2-050A	(04201117)	40	Spring	LA421-DG-40055	(04201455)
14	Bolt (QTY. 5)	LA421-B2-0512A	(04201125)	41	Housing Plug	LA421-DG-30056	(04201463)
15	Rotor	LA421-DG-40015	(04201133)	42	O-Ring	LA421-ORP-0120	(04201471)
16	End Plate	LA421-DG-40016	(04201141)	43	O-Ring	LA421-ORP-0050	(04201489)
17	Cylinder	LA421-VP-70017	(04201158)	44	Lever	LA421-DG-40059	(04201497)
18	Pin	LA421-SP-30060	(04201166)	45	Lock	LA421-DG-40061	(04201505)
19	Blade (QTY. 4)	LA421-VP-70014	(04201174)	46	Spring	LA421-DG-40062	(04201513)
20	End Plate	LA421-VP-70013	(04201182)	47	Spring Pin	LA421-SP-30175	(04201521)
21	Bearing	LA421-BB-62012	(04201265)	48	Pin	LA421-SP-40300	(04201539)
22	Pinion	LA421-DG-40029	(04201273)	49	Ring	LA421-DG-40065	(04201547)
23	O-Ring	LA421-DG-40030	(04201281)	50	Nut	LA421-DG-40066	(04201554)
24	Deflector	LA421-DG-40039	(04201299)	51	Nameplate		
25	Screw (QTY. 2)	LA421-T2-3008B	(04201307)		for Model LA421-EU (4")	LA421-301	(04201596)
26	Plug	LA421-PG-38043	(04201315)		for Model LA422-EU (5")	LA422-301	(04204202)
27	O-Ring	LA421-ORP-0040	(04201323)	52	Label	107-304	(03785326)
28	Flange			53	Warning Label	EU-99	(04346607)
	for Model LA421-EU (4")	LA421-AG-30052	(04201331)				
	for Model LA422-EU (5")	LA422-AG-30052	(04204244)				
29	Shield						
	for Model LA421-EU (4")	LA421-AG-30053	(04201349)				
	for Model LA422-EU (5")	LA422-AG-30053	(04204236)				

Parts and Maintenance

When tool life has expired, it is recommended that the tool be disassembled, degreased and parts separated by material for proper recycling.

Tool repair and maintenance should only be carried out by an authorized Service Center.

Refer all communications to the nearest **Ingersoll Rand** office or distributor.

Related Documentation

Manuals can be downloaded from ingersollrandproducts.com

For additional information, refer to:

Product Safety Information Manual 04584959.

Product Information Manual 45661337.

