



IQ^{V20} Cordless Impactool™ Literature Pack

W5001 Series

User Manual

- EN** User Manual
- ES** Manual del Usuario
- FR** Manuel d'Utilisation
- PT** Manual do Usuário

EN

This manual contains safety and product information for

- IQ^{V20} Cordless Impact Wrench
- IQ^{V20} Battery
- IQ^{V20} Battery Charger

This manual contains parts lists for

- IQ^{V20} Cordless Impact Wrench
- IQ^{V20} Battery Charger

ES

Este manual contiene información de seguridad y de producto de

- Aprietatuercas de percusión inalámbrico de IQ^{V20}
- Batería de IQ^{V20}
- Cargador de la batería de IQ^{V20}

Este manual contiene la lista de piezas de

- Aprietatuercas de percusión inalámbrico de IQ^{V20}
- Cargador de la batería de IQ^{V20}

FR

Ce manuel contient les informations de sécurité et de renseignements sur le produit pour

- Clé à chocs sans fil IQ^{V20}
- Batterie IQ^{V20}
- Chargeur de batterie IQ^{V20}

Ce manuel contient des listes de pièces pour

- Clé à chocs sans fil IQ^{V20}
- Chargeur de batterie IQ^{V20}

PT

Este manual contém informações de segurança e sobre produtos para:

- Chave de Impacto Sem Fios IQ^{V20}
- Bateria IQ^{V20}
- Carregador de baterias IQ^{V20}

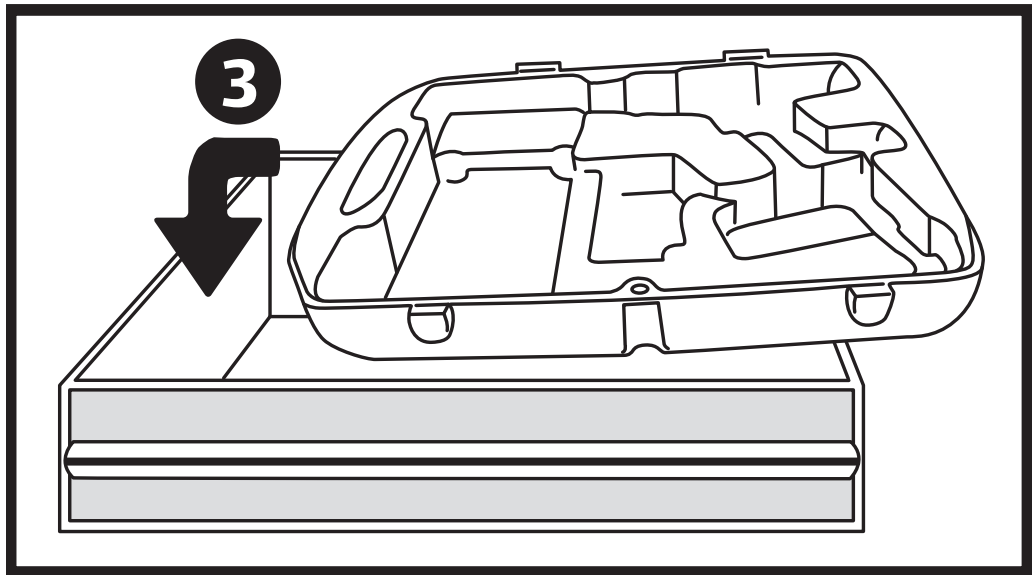
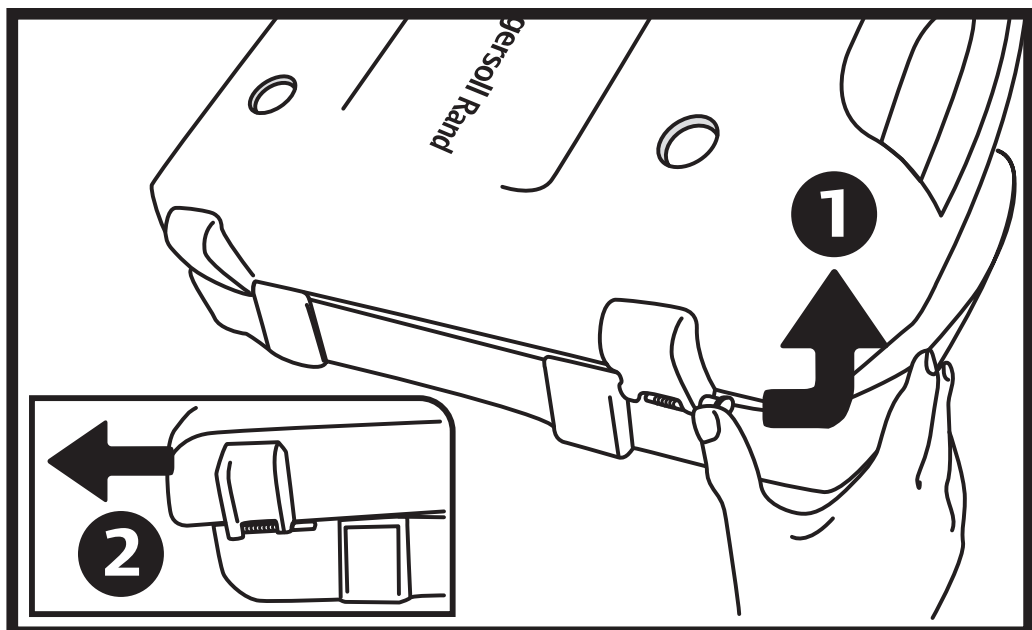
Este manual contém listas de peças para:

- Chave de Impacto Sem Fios IQ^{V20}
- Carregador de baterias IQ^{V20}



Save These Instructions

IR Ingersoll Rand®





This section contains product safety information for

- IQ^{V20} Cordless Impact Wrench
- IQ^{V20} Battery
- IQ^{V20} Battery Charger

Esta sección contiene información de seguridad de productos de

- Aprietatuercas de percusión inalámbrico de IQ^{V20}
- Batería de IQ^{V20}
- Cargador de la batería de IQ^{V20}

Cette section contient des informations sur la sécurité des produits pour

- Clé à chocs sans fil IQ^{V20}
- Batterie IQ^{V20}
- Chargeur de batterie IQ^{V20}

Esta secção contém informações sobre segurança do produtos para:

- Chave de Impacto Sem Fios IQ^{V20}
- Bateria IQ^{V20}
- Carregador de baterias IQ^{V20}

Product Safety Information

- EN** Product Safety Information
- ES** Información de Seguridad sobre el Producto
- FR** Informations de Sécurité du Produit
- PT** Informações de Segurança do Produto



Save These Instructions

Product Safety Information: Cordless Impact Wrench

Product Description

A Cordless Impact Wrench is a battery powered, hand-held, power tool that utilizes rotary impacts to tighten or loosen threaded fasteners through specially hardened detachable sockets.

WARNING

General Safety Rules

- **Warning!** Read all safety warnings and all instructions. Failure to follow the warnings and instructions may result in electric shock, fire and/or serious injury. Save all warnings and instructions for future reference. The term "power tool" in all the warnings listed below refers to your mains operated (corded) power tool or battery operated (cordless) power tool.
- **It is your responsibility to make this safety information available to others that will operate this product.** Failure to follow standards and regulations can cause personal injury.
- **Always install, operate, inspect and maintain this product in accordance with all applicable standards and regulations (local, state, country, federal, etc.).** Compliance is your responsibility. Failure to follow standards and regulations can cause personal injury.

Work area safety

- **Keep your work area clean and well lit.** Cluttered benches and dark areas invite accidents.
- **Do not operate power tools in explosive atmospheres, such as in the presence of flammable liquids, gases, or dust.** Power tools create sparks which may ignite the dust or fumes.
- **Keep children and bystanders away while operating a power tool.** Distractions can cause you to lose control.
- **Be aware of buried, hidden or other hazards in your work environment. Do not contact or damage cords, conduits, pipes or hoses that may contain electrical wires, explosive gases or harmful liquids.** Electric shock, fire or personal injury may result.

Electrical safety

- **Power tool plugs must match the outlet. Never modify the plug in any way. Do not use any adapter plugs with earthed (grounded) power tools.** Unmodified plugs and matching outlets will reduce risk of shock.
- **Avoid body contact with earthed or grounded surfaces such as pipes, radiators, ranges and refrigerators.** There is an increased risk of electric shock if your body is earthed or grounded.
- **Do not expose power tools to rain or wet conditions.** Water entering a power tool will increase the risk of electric shock.
- **Do not abuse the cord. Never use the cord for carrying, pulling or unplugging the power tool. Keep cord away from heat, oil, sharp edges or moving parts.** Damaged or entangled cords increase the risk of electric shock.
- **When operating a power tool outdoors, use an extension cord suitable for outdoor use.** Use of a cord suitable for outdoor use reduces the risk of electric shock.
- **If operating a power tool in a damp location is unavoidable, use a residual current device (RCD) protected supply.** Use of an RCD reduces the risk of electric shock.

Personal safety

- **Stay alert, watch what you are doing and use common sense when operating a power tool. Do not use power tool while tired or under the influence of drugs, alcohol, or medication.** A moment of inattention while operating power tools may result in serious personal injury.
- **Use safety equipment. Always wear eye protection.** Safety equipment such as dust mask, non-skid safety shoes, hard hat, or hearing protection used for appropriate conditions will reduce personal injuries.
- **Avoid accidental starting. Be sure the switch is in the off position before plugging in.** Carrying power tools with your finger on the switch or plugging in power tools that have the switch on invites accidents.
- **Remove any adjusting key or wrench before turning the power tool on.** A wrench or a key that is left attached to a rotating part of the power tool may result in personal injury.
- **Do not overreach. Keep proper footing and balance at all times.** This enables better control of the power tool in unexpected situations.
- **Dress properly. Do not wear loose clothing or jewelry. Contain long hair. Keep your hair, clothing, and gloves away from moving parts.** Loose clothes, jewelry, or long hair can be caught in moving parts.
- **If devices are provided for the connection of dust extraction and collection facilities, ensure these are connected and properly used.** Use of these devices can reduce dust related hazards.
- **Use clamps or other practical way to secure and support the workpiece to a stable platform.** Holding the work by hand or against your body is unstable and may lead to loss of control.
- **Prevent exposure and breathing of harmful dust and particles created by power tool use.**
 - Some dust created by power sanding, sawing, grinding, drilling, and other construction activities contains chemicals known to cause cancer, birth defects or other reproductive harm. Some examples of these chemicals are:
 - Lead from lead based paints,
 - Crystalline silica from bricks and cement and other masonry products, and
 - Arsenic and chromium from chemically treated lumber.
 - Your risk from these exposures varies, depending on how often you do this type of work. To reduce your exposure to these chemicals: work in a well ventilated area, and work with approved safety equipment, such as those dust masks that are specially designed to filter out microscopic particles.
- **Stop using any tool if discomfort, tingling feeling or pain occurs.** Vibration, repetitive motions or uncomfortable positions may be harmful to your hands and arms. Power tools can vibrate in use. Seek medical advice before resuming use.
- **The vibration emission during actual use of power tool can differ from the declared value depending on the ways in which the tool is used.** Take appropriate safety measure to protect the operator, based on an estimation of exposure during actual usage.
- **Avoid contact with moving parts of tool.** Tool and/or accessories may briefly continue their motion after power is removed creating a risk of entanglement or other personal injury.

Power tool use and care

- **Do not force the power tool. Use the correct power tool for your application.** The correct power tool will do the job better and safer at the rate for which it is designed.
- **Do not use the power tool if the switch does not turn it on or off.** Any power tool that cannot be controlled by the switch is dangerous and must be repaired.
- **Disconnect the plug from the power source before making any adjustments, changing accessories, or storing the power tool.** Such preventive safety measures reduce the risk of starting the tool accidentally.
- **Store idle power tools out of the reach of children and do not allow persons unfamiliar with the power tool or these instructions to operate the power tool.** Tools are dangerous in the hands of untrained users.
- **Maintain power tools. Check for misalignment or binding of moving parts, breakage of parts, and any other condition that may affect the power tools operation. If damaged, have the power tool serviced before using.** Many accidents are caused by poorly maintained power tools.
- **Keep cutting tools sharp and clean.** Properly maintained tools with sharp cutting edges are less likely to bind and are easier to control. Keep handles clean and dry to maintain control.
- **Use the power tool, accessories and tool bits etc., in accordance with these instructions and in the manner intended for the particular type of power tool, taking into account the working conditions and the work to be performed.** Use of the power tool for operations different from intended could result in a hazardous situation.

Battery tool use and care

- **Recharge only with the charger specified by the manufacturer.** A charger that may be suitable for one type of battery may create a risk of fire when used with another battery.
- **Use power tools only with specifically designated battery pack.** Use of any other battery pack may create a risk of injury and fire.
- **When battery pack is not in use, keep it away from other metal objects like: paper clips, coins, keys, nails, screws, or other small metal objects that can make a connection from one terminal to another.** Shorting the battery terminals together may cause burns or a fire.
- **Under abusive conditions, liquid may be ejected from the battery; avoid contact. If contact accidentally occurs, flush with water. If liquid contacts eyes additionally, seek medical help.** Liquid ejected from the battery may cause irritation or burns.
- **Ensure switch is in the off position before inserting battery pack.** Inserting the battery pack into power tool with the switch on invites accidents.
- **Disconnect battery pack from tool or place the switch in a locked off position before making any adjustments or changing accessories.** Such preventive safety measures reduce the risk of starting the tool accidentally.
- **Electric tools will overheat if they remain on when the tool motor is severely loaded, stalled or otherwise kept from rotating. Turn tool off when this occurs.** Continuing to power tool in this condition may result in heat, smoke or fire with injury or property damage.
- **Disconnect battery pack from tool before storing tool or placing in a tool box or bag. Accidental starting while storing or transporting may cause several hazardous conditions including an overheated tool.** Uncontrolled tool operation may cause various hazards including heat, smoke or fire.
- **Do not block the housing cooling air holes as this may cause overheating of the tool.** Use of the tool in this condition may result in heat, smoke or fire with injury or property damage.
- **The tool may overheat during continuous use or other severe duty cycles. Immediately stop operation and let the tool cool if any part of the tool becomes too hot to touch or if there is any indication of smoke from the motor.** Continuing to use the tool under these conditions will cause tool damage and may result in injury or property damage from heat or fire.
- **Immediately stop use and replace any battery that gets excessively warm in use or offers very short usage times.** Typically these batteries have a high number of charge/discharge cycles or may be old or damaged. Continuing to use an impaired battery may result in injury or property damage from heat, fire or explosion.
- **Do not modify this tool, safety devices, or accessories.** Unauthorized modifications may result in electric shock, fire or personal injury.
- **Use only accessories that are recommended by Ingersoll Rand for your model.** Accessories that may be suitable for one tool, may become hazardous when used on another tool.
- **When wearing gloves always be sure that the gloves will not prevent the throttle mechanism from being released.** Personal injury may result.
- **Do not remove any labels. Replace any damaged label.** Labels provide information required for safe use of the product.

Service

- **Have your power tool serviced by qualified repair person using only identical replacement parts.** This will ensure that the safety of the power tool is maintained.
- **When servicing a tool, use only genuine Ingersoll Rand replacement parts and follow all Maintenance Instructions.** Use of unauthorized parts or failure to follow Maintenance Instructions may create a risk of electric shock or injury.
- **Do not dispose of batteries in fire, incinerate or heat above 100° C (212° F).** Batteries present a risk of fire or chemical burn if mistreated.
- **Responsibly recycle or dispose of batteries in accordance with all applicable standards and regulations (local, state, country, federal, etc.).** Improper disposal may endanger the environment.

WARNING

Product Specific Safety Rules

- **Hold tool by insulating gripping surfaces when performing an operation where the cutting tool may contact hidden wiring.** Contact with a "live" wire will also make exposed metal parts of the tool "live" and shock the operator.
- **For reversible models, note the position of the reversing mechanism before operating.** Knowledge of the direction of rotation helps in maintaining control of the tool.
- **Use only impact sockets and accessories.** Do not use hand (chrome) sockets or accessories. They may break in use and cause injury.
- **Periodically check the drive end of the tool to make certain that the socket retainer functions correctly, and that sockets and drive ends are not excessively worn.** Either condition may allow the socket to come off when rotating.
- **Impact Wrenches are not torque wrenches. Connections requiring specific torque must be checked with a torque meter after fitting with an impact wrench.** Improperly torqued fasteners may loosen and cause injury.
- **Exposed throttles shall not be used where obstructions can hold the throttle in the "on" position.** You may not be able to turn the tool off.

Product Safety Information: Battery

Product Description

A Battery is an electric energy storage device used as the power source for **Ingersoll Rand** Cordless Products.

WARNING

General Battery Safety Warnings

- **Warning! Read all safety warnings and all instructions.** Failure to follow the warnings and instructions may result in electric shock, fire and/or serious injury.
- **Save all warnings and instructions for future reference.**
- **It is your responsibility to make this safety information available to others that will operate this product.** Failure to follow standards and regulations can cause personal injury.
- **Always install, operate, inspect and maintain this product in accordance with all applicable standards and regulations (local, state, country, federal, etc.).** Compliance is your responsibility. Failure to follow standards and regulations can cause personal injury.
- The term "power tool" in the warnings refers to your battery-operated (cordless) power tool.

Electrical Safety

- **Do not expose batteries or power tools to rain or wet conditions.** Water entering a battery or power tool will increase the risk of electric shock.

Personal Safety

- **Do not modify this product, safety devices, or accessories.** Unauthorized modifications may result in electric shock, fire or personal injury.

Battery and Power Tool Use and Care

- **Store idle batteries and power tools out of the reach of children and do not allow persons unfamiliar with the battery or power tool or these instructions to operate the battery or power tool.** Batteries and power tools are dangerous in the hands of untrained users.
- **Use the battery, power tool, accessories and tool bits etc. in accordance with these instructions, taking into account the working conditions and the work to be performed.** Use of the battery or power tool for operations different from those intended could result in a hazardous situation.
- **Recharge only with the charger specified by the manufacturer.** A charger that is suitable for one type of battery pack may create a risk of fire when used with another battery pack. See Charger Product Information manual for additional charger specific warnings.
- **Use power tools only with specifically designated battery packs.** Use of any other battery packs may create a risk of injury and fire.
- **When battery pack is not in use, keep it away from other metal objects, like paper clips, coins, keys, nails, screws or other small metal objects, that can make a connection from one terminal to another.** Shorting the battery terminals together may cause burns or a fire.
- **Under abusive conditions, liquid may be ejected from the battery; avoid contact. If contact accidentally occurs, flush with water. If liquid contacts eyes, additionally seek medical help.** Liquid ejected from the battery may cause irritation or burns.
- **Immediately stop use and replace any battery that gets excessively warm in use or offers very short usage times.** Typically these batteries have a high number of charge/discharge cycles or may be old or damaged. Continuing to use an impaired battery may result in injury or property damage from heat, fire or explosion.
- **Do not remove any labels. Replace any damaged label.** Labels provide information required for safe use of the product.
- **Do not subject batteries to mechanical shock.**
- **Do not leave a battery on prolonged charge when not in use.**
- **When possible, remove the battery from the equipment when not in use.**
- **Do not use batteries which have been physically damaged.**

Service

- **Do not dispose of batteries in fire, incinerate or heat above 100°C (212°F).** Batteries present a risk of fire or chemical burn if mistreated.
- **Responsibly recycle or dispose of batteries in accordance with all applicable standards and regulations (local, state, country, federal, etc.).** Improper disposal may endanger the environment.
- **Do not open cover or casing. There are no user serviceable items inside.** Electric shock or other personal injury may result.

Product Safety Information: Battery Charger

Product Description

A Battery Charger is an electrical device that converts alternating current electric power to direct current electric power used to charge electric storage batteries.



General Safety Rules

- **Read and understand all instructions.** Failure to follow all instructions listed below, may result in electric shock, fire and/or serious personal injury.
- **It is your responsibility to make this safety information available to others that will operate this product.** Failure to follow standards and regulations can cause personal injury.
- **Always install, operate, inspect and maintain this product in accordance with all applicable standards and regulations (local, state, country, federal, etc.).** Compliance is your responsibility. Failure to follow standards and regulations can cause personal injury.
- **Children should be supervised to ensure they do not use or play with this Product.**
- **This product is not intended for use by persons with reduced physical, sensory or mental capabilities, or lack of experience and knowledge, unless they have been given supervision or instruction concerning use of the appliance by a person responsible for their safety.**

Work area

- **Do not operate battery charger in explosive atmospheres, such as in the presence of flammable liquids, gases, or dust.** A battery charger may create sparks which may ignite the dust or fumes.

Electrical Safety

- Double insulation eliminates the need for the three wire grounded power cord and grounded power supply system.
- **Do not abuse the cord. Never use the cord for carrying, pulling or unplugging the power tool. Keep cord away from heat, oil, sharp edges or moving parts.** Damaged or entangled cords increase the risk of electric shock.
- **A battery powered product with integral batteries or a separate battery pack must be recharged only with the specified charger for the battery.** A charger that may be suitable for one type of battery may create a risk of fire when used with another battery.
- **Charger is for Indoor Use Only. Do not expose charger to rain. Do not use charger in damp or wet locations.** Electric shock or other personal injury may result.
- **Always use specified supply voltage.** Incorrect voltage can cause electrical shock, fire, abnormal operation and may result in personal injury.
- **Avoid contacting the battery charging terminals with fingers, wire or other conductive material. Only connect to approved Ingersoll Rand battery.** Electric shock or other personal injury may result.
- **Do not attempt to recharge non-rechargeable batteries.** Electric shock, fire or personal injury may result.

Personal Safety

- **Do not modify this product, safety devices, or accessories.** Unauthorized modifications may result in electric shock, fire or personal injury.
- **Do not use this product for purposes other than those recommended.** Electric shock, fire or other personal injury may result.
- **Locate the charger in a stable position prior to plugging into a power source. Keep the charger out of reach of children.** Improper location or use by children may result in electric shock, fire or personal injury.

Use and Care

- **Never use a damaged or malfunctioning charger. Immediately unplug charger and get it repaired or replaced.** Continued use may result in electric shock, fire or personal injury.
- **Do not remove any labels. Replace any damaged label.** Labels provide information required for safe use of the product.

Service

- **Service must only be performed by an Authorized Ingersoll Rand Servicenter or similarly qualified repair personnel.** Service or maintenance performed by unqualified personnel could result in a risk of injury. Consult your nearest **Ingersoll Rand** Authorized Servicenter.
- **Do not open cover or casing. There are no user serviceable items inside.** Electric shock or other personal injury may result.
- **If the supply cord is damaged, it must be replaced by an Ingersoll Rand Authorized Servicenter or similarly qualified repair personnel.** Damaged and improperly installed cords increase the risk of electric shock.

NOTICE

Refer to Product Information Manual for Model Specific Safety Information.

Safety Symbol Identification

Risk of
Electric Shock



Wear Respiratory
Protection



Wear Eye
Protection



Wear Hearing
Protection



Read Manuals Before
Operating Product



Risk of burn; surface may
be hot.



Indoor Use Only

Safety Information - Explanation of Safety Signal Words

DANGER	Indicates an imminently hazardous situation which, if not avoided, will result in death or serious injury.
WARNING	Indicates a potentially hazardous situation which, if not avoided, could result in death or serious injury.
CAUTION	Indicates a potentially hazardous situation which, if not avoided, may result in minor or moderate injury or property damage.
NOTICE	Indicates information or a company policy that relates directly or indirectly to the safety of personnel or protection of property.

Product Parts Information **CAUTION**

The use of other than genuine Ingersoll Rand replacement parts may result in safety hazards, decreased tool performance and increased maintenance, and may invalidate all warranties.

Original instructions are in English. Other languages are a translation of the original instructions.
Manuals can be downloaded from ingersollrandproducts.com.

Refer all communications to the nearest **Ingersoll Rand** Office or Distributor.

Información de seguridad sobre el producto: Cargador de la Batería

Descripción del Producto

Un cargador de baterías es un dispositivo eléctrico que convierte la corriente alterna en continua. Ésta se utiliza para cargar las baterías eléctricas de almacenamiento.

ADVERTENCIA

Normas Generales de Seguridad

- **Lea todas las instrucciones y asegúrese de comprenderlas bien.** Si no se siguen las instrucciones descritas más adelante, pueden producirse descargas eléctricas, incendios o lesiones corporales graves.
- **Es su responsabilidad poner esta información de seguridad a disposición de quienes vayan a utilizar el aparato.** Si no se siguen estas regulaciones y estándares, pueden producirse lesiones corporales.
- **Instale, utilice, inspeccione y mantenga siempre este producto de acuerdo con todas las regulaciones y estándares aplicables (locales, estatales, nacionales, federales, etc.).** Su cumplimiento es responsabilidad suya. Si no se siguen estas regulaciones y estándares, pueden producirse lesiones corporales.
- **Se debe supervisar a los niños para asegurarse de que no utilizan ni juegan con este producto.**
- **Este producto no está diseñado para su uso por parte de personas con capacidades físicas, sensoriales o mentales reducidas, o falta de experiencia y conocimiento, a menos que una persona responsable de su seguridad les haya proporcionado supervisión o formación sobre el uso del producto.**

Área de Trabajo

- **No utilice el cargador de baterías en entornos potencialmente explosivos, como líquidos, gases o polvos inflamables.** Es posible que un cargador de baterías origine chispas que pueden inflamar el polvo o los vapores.

Seguridad Eléctrica

- **Los productos doblemente aislados poseen un enchufe polarizado (una clavija es más ancha que la otra).** Este enchufe encajará de una sola forma en una toma polarizada. Si no encajara por completo en la toma, introdúzcalo del revés. Si aún no encaja, póngase en contacto con un electricista cualificado para que instale una toma polarizada. No modifique el enchufe de ninguna forma. El doble aislamiento permite prescindir del cable eléctrico trifásico de puesta a tierra y del sistema de fuente de alimentación de puesta a tierra.
- **No fuerce el cable. No utilice nunca el cable para arrastrar, tirar o desconectar la herramienta.** Manténgalo alejado del calor, aceites, bordes afilados o piezas móviles. Un cable dañado o enredado aumenta el riesgo de descarga eléctrica.
- **Un producto motorizado que funciona con baterías integrales o con batería independiente debe recargarse sólo con el cargador específico de esa batería.** Un cargador adecuado para un tipo de batería podría provocar un incendio si se utiliza con otra batería.
- **El cargador sólo está destinado a uso interior. No exponga el cargador a la lluvia. No utilice el cargador en lugares húmedos o mojados.** Podría provocar descargas eléctricas u otras lesiones corporales.
- **Utilice siempre la tensión eléctrica de alimentación especificada.** Una tensión eléctrica inadecuada puede provocar descargas eléctricas, incendios, funcionamiento anormal y lesiones corporales.
- **Evite tocar las terminales de carga de la batería con los dedos, cables u otro material conductor. Conéctelo sólo con baterías aprobadas de Ingersoll Rand.** Podría provocar descargas eléctricas u otras lesiones corporales.
- **No intente recargar baterías no recargables.** Pueden producirse descargas eléctricas, incendios o lesiones corporales.

Seguridad Personal

- **No modifique el producto, los dispositivos de seguridad ni los accesorios.** Las modificaciones no autorizadas pueden producir descargas eléctricas, incendios o lesiones corporales.
- **No utilice este producto para otros fines que no sean los recomendados.** Pueden producirse descargas eléctricas, incendios u otras lesiones corporales.
- **Coloque el cargador en una posición estable antes de conectarlo a la fuente de alimentación.** Mantenga el cargador fuera del alcance de los niños. Una colocación inadecuada o la utilización por parte de niños puede provocar descargas eléctricas, incendios o lesiones corporales.

Utilización y Mantenimiento

- **No utilice nunca un cargador averiado o con problemas de funcionamiento. Desconecte el cargador inmediatamente y repárelo o sustitúyalo.** El uso continuado puede producir descargas eléctricas, incendios o lesiones corporales.
- **No despegue ninguna etiqueta. Sustituya todas las etiquetas dañadas.** Las etiquetas le aportan información para la utilización segura del producto.

Reparación

- **La realización sólo se deberá llevar a cabo en un centro de servicio autorizado de Ingersoll Rand o por personal cualificado.** La reparación o el mantenimiento realizado por personal no cualificado podría provocar lesiones.
- **No abra la cubierta o carcasa. En su interior, no hay elementos que el usuario pueda reparar.** Podría provocar descargas eléctricas u otras lesiones corporales.
- **Si el cable de alimentación está dañado, deberá sustituirse en un centro de servicio autorizado de Ingersoll Rand o con la ayuda de personal cualificado.** Los cables dañados o instalados de forma incorrecta aumentan el riesgo de descarga eléctrica.

Información de seguridad sobre el producto: Aprietatuercas de percusión inalámbrico

Descripción del Producto

Un aprietatuercas inalámbrico de percusión es una herramienta motorizada portátil que funciona con baterías y emplea impactos rotatorios para apretar o aflojar elementos de sujeción, utilizando para ello adaptadores desmontables endurecidos especiales.

ADVERTENCIA

Normas Generales de Seguridad

- **Aviso!** Lea todas las instrucciones. Si no se siguen las instrucciones descritas más adelante, pueden producirse descargas eléctricas, incendios o lesiones corporales graves. El término "herramienta motorizada" de todos los avisos que se muestran a continuación hace referencia a la herramienta motorizada que funciona mediante la red de suministro (con cable) o la que funciona con batería (sin cable).
- **Es su responsabilidad poner esta información de seguridad a disposición de quienes vayan a utilizar el aparato.** Si no se siguen estas regulaciones y estándares, pueden producirse lesiones corporales.
- **Instale, utilice, inspeccione y conserve siempre este producto de acuerdo con todas las regulaciones y estándares aplicables (locales, estatales, nacionales, federales, etc.).** Su cumplimiento es responsabilidad suya. Si no se siguen estas regulaciones y estándares, pueden producirse lesiones corporales.

Área de Trabajo

- **Mantenga la zona de trabajo limpia y bien iluminada.** Un área de trabajo sucia o con una mala iluminación puede provocar accidentes.
- **No utilice herramientas motorizadas en entornos potencialmente explosivos, como líquidos, gases o polvos inflamables.** Las herramientas motorizadas originan chispas que pueden inflamar el polvo o los vapores.
- **Mantenga alejados a visitantes y niños mientras utilice la herramienta motorizada.** Una distracción puede hacer que pierda el control.
- **Tenga en cuenta los peligros ocultos o de cualquier otro tipo en el entorno de trabajo. Tenga cuidado de no dañar o hacer contacto con cables, conductos, tuberías o mangueras que puedan contener hilos eléctricos, gases explosivos o líquidos nocivos.** Pueden producirse descargas eléctricas, incendios o lesiones corporales.

Seguridad Eléctrica

- **Las conexiones de la herramienta motorizada deben coincidir con la salida. No modifique el enchufe de ningún modo. No utilice enchufes de adaptación para herramientas motorizadas conectadas a tierra.** Si no modifica los enchufes y utiliza las salidas correspondientes, reducirá el riesgo de descargas eléctricas.
- **Evite el contacto directo con superficies conectadas a tierra, como tuberías, radiadores, cadenas o refrigeradores.** Si el usuario entra en contacto con algún elemento con conexión a tierra, existe un gran riesgo de sufrir descargas eléctricas.
- **No permita que las herramientas motorizadas queden expuestas a la lluvia o a entornos de elevada humedad.** El contacto del agua con la herramienta motorizada incrementa el riesgo de que el usuario sufra descargas eléctricas.
- **No fuerce el cable. No utilice nunca el cable para arrastrar, tirar o desconectar la herramienta. Manténgalo alejado del calor, aceites, bordes afilados o piezas móviles.** Un cable dañado o enredado aumenta el riesgo de descarga eléctrica.
- **Al utilizar la herramienta motorizada en el exterior, utilice un cable alargador adecuado para el uso exterior.** El uso de un cable adecuado para el uso exterior reduce el riesgo de sufrir descargas eléctricas.
- **Si es inevitable utilizar una herramienta eléctrica en un lugar húmedo, utilice una alimentación protegida por un dispositivo de corriente residual (RCD).** El uso de un RCD reduce el riesgo de cortocircuito eléctrico.

Seguridad Personal

- **Permanezca alerta, preste atención a lo que hace y use el sentido común cuando utilice una herramienta motorizada. No utilice una herramienta motorizada si se encuentra cansado o bajo el efecto de drogas, alcohol o medicamentos.** Un momento de distracción mientras utiliza una herramienta motorizada puede provocar una lesión corporal grave.
- **Utilice un equipo de seguridad. Utilice siempre protección ocular.** El uso de equipamientos de seguridad, como mascarillas contra el polvo, zapatos seguros que no resbalen, un caso duro y protección para los oídos en las ocasiones adecuadas reducirá el riesgo de sufrir daños personales.
- **Evite el encendido accidental de la herramienta. Asegúrese de que el interruptor está apagado antes de conectarla.** El transporte de herramientas motorizadas con el dedo sobre el encendido o la conexión de herramientas motorizadas con el interruptor en la posición de conexión incrementa el riesgo de accidentes.
- **Extraiga cualquier llave de ajuste antes de encender la herramienta motorizada.** Una llave unida a una parte móvil de la herramienta motorizada puede provocar lesiones corporales.
- **No fuerce la postura. Manténgase en posición firme y en equilibrio en todo momento.** De este modo, podrá controlar mejor la herramienta motorizada en situaciones inesperadas.
- **Utilice ropa adecuada. No lleve ropa suelta ni joyas. Recójase el pelo si lo lleva largo. Mantenga el pelo, la ropa y los guantes alejados de las piezas móviles.** La ropa suelta, las joyas o el pelo largo pueden engancharse en las piezas móviles.
- **Si los dispositivos cuentan con una conexión para sistemas de recogida y extracción de polvo, asegúrese de que ésta se utilice y se emplee de forma adecuada.** El uso de estos dispositivos puede reducir los riesgos derivados de la emisión de polvo.
- **Utilice mordazas u otros medios prácticos para asegurar y apoyar la pieza de trabajo en una superficie estable.** Sujetar la pieza trabajada con la mano o contra su cuerpo resulta inestable y puede provocar que pierda el control.
- **Evite respirar el polvo y las partículas nocivas que se producen al utilizar la herramienta, así como exponerse a ellos.**
 - Ciertos tipos de polvo que se producen al lijar, serrar, rectificar o taladrar y durante otras actividades de la construcción contienen sustancias químicas que causan cáncer, defectos de nacimiento y alteraciones en el sistema reproductor. A continuación, se describen algunos ejemplos de estas sustancias químicas:
 - El plomo de las pinturas con base de plomo
 - La sílice cristalina de ladrillos y hormigón y otros productos asociados con la albañilería
 - El arsénico y el cromo que produce la madera sometida a tratamientos químicos

- El riesgo que representa una exposición de este tipo varía según la frecuencia con que se realice este tipo de trabajo. Para reducir la exposición a estas sustancias químicas: Trabaje en una zona bien ventilada y utilice un equipo de protección homologado, por ejemplo, una mascarilla especialmente diseñada para filtrar partículas microscópicas.
- **En caso de incomodidad, sensación de hormigueo o dolor, deje de usar la herramienta.** La vibración, los movimientos repetitivos o las posiciones incómodas pueden dañar brazos y manos. Las herramientas eléctricas pueden vibrar durante el uso. Consulte con el médico antes de volver a utilizarlas.
- **La emisión de vibraciones durante el uso real de la herramienta eléctrica puede diferir del valor declarado según la manera en que se utilice la herramienta.** Adopte medidas de seguridad apropiadas para proteger al operador en base a una estimación de la exposición durante la utilización real.
- **Evite el contacto con las piezas móviles de la herramienta.** Las herramientas y sus accesorios pueden continuar funcionando brevemente después de apagarse y provocar enredos y otras lesiones corporales.

Utilización y Cuidado de la Herramienta Motorizada

- **No fuerce la herramienta motorizada. Utilice la herramienta motorizada correcta para su cometido.** La herramienta motorizada correcta realizará el trabajo mejor y de manera más segura a la velocidad para la que ha sido diseñada.
- **No utilice la herramienta motorizada si el interruptor no se desplaza a la posición de encendido o de apagado.** Cualquier herramienta motorizada que no pueda controlarse con el interruptor resulta peligrosa y debe repararse.
- **Desconecte la herramienta de la alimentación eléctrica antes de llevar a cabo cualquier ajuste, cambio de accesorios o almacenaje de la herramienta motorizada.** Estas medidas preventivas de seguridad reducen el riesgo de encender la herramienta de forma accidental.
- **Guarde las herramientas motorizadas que no estén en uso fuera del alcance de los niños y no permita que manejen la herramienta personas que no estén familiarizadas con ella o con estas instrucciones.** Las herramientas resultan peligrosas en manos de usuarios que no están capacitados para manejarlas.
- **Mantenimiento de las herramientas motorizadas: compruebe que las piezas móviles no están desalineadas ni atascadas, que las piezas no están rotas y cualquier otra condición que pueda afectar a su funcionamiento. Si están dañadas, repare la herramienta motorizada antes de utilizarla.** Muchos accidentes son el resultado de herramientas motorizadas mal cuidadas.
- **Mantenga limpias y afiladas las herramientas cortantes.** Las herramientas que están bien cuidadas y con los filos afilados no se atascan fácilmente y resultan más fáciles de controlar. Mantenga los mangos limpios y secos para mantener el control de las herramientas.
- **Utilice la herramienta motorizada, los accesorios y los elementos de la herramienta según se indica en estas instrucciones y del modo adecuado en función del tipo específico de herramienta motorizada, teniendo en cuenta las condiciones de trabajo y la tarea que se va a realizar.** El uso de la herramienta motorizada para realizar tareas diferentes de aquellas para las que está destinada puede provocar situaciones de peligro.

Utilización y Cuidado de la Batería de la Herramienta

- **Recargue la batería sólo mediante el cargador especificado por el fabricante.** Un cargador adecuado para un tipo de batería podría provocar un incendio si se utiliza con otra batería.
- **Utilice las herramientas motorizadas sólo con el paquete de baterías específicamente diseñado para ellas.** La utilización de otras baterías podría provocar un incendio o lesiones.
- **Cuando no utilice una batería, manténgala alejada de otros objetos metálicos como: clips, monedas, llaves, clavos, tornillos u otros objetos metálicos pequeños que puedan establecer conexión desde un polo al otro.** Colocar los polos de las baterías cerca puede provocar quemaduras o un incendio.
- **En condiciones de uso indebido, podría salirse el líquido de la batería, en cuyo caso, evite el contacto. Si la toca de forma accidental, lávese con agua. Si el líquido entra en contacto con los ojos, solicite ayuda médica.** El líquido expulsado de la batería puede provocar irritaciones o quemaduras.
- **Compruebe que el interruptor está en la posición de apagado antes de insertar la batería.** La inserción de la batería en la herramienta motorizada con el interruptor encendido puede provocar accidentes.
- **Desconecte las baterías de la herramienta o coloque el interruptor en posición de apagado bloqueada antes de realizar cualquier ajuste o cambiar los accesorios.** Estas medidas preventivas de seguridad reducen el riesgo de encender la herramienta de forma accidental.
- **Las herramientas eléctricas se sobrecalientan si permanecen encendidas cuando el motor de la herramienta está excesivamente cargado, cuando se cala y cuando no puede rotar por cualquier otra causa. Cuando esto suceda, apague la herramienta.** Si se sigue utilizando en estas condiciones, puede provocarse un exceso de calor, humo o fuego que puede causar lesiones o daños materiales.
- **Desconecte las baterías de la herramienta antes de su almacenamiento o colocación en una caja o bolsa de herramientas. El encendido accidental de la herramienta durante su almacenamiento o transporte puede provocar situaciones graves de peligro, incluido el sobrecalentamiento de la herramienta.** La utilización de la herramienta de forma descontrolada puede provocar varias situaciones de peligro, incluidos el sobrecalentamiento de la herramienta y la aparición de humo o fuego.
- **No bloquee los orificios de refrigeración de la carcasa para evitar que se sobrecaliente la herramienta.** Si se sigue utilizando en estas condiciones, puede provocarse un exceso de calor, humo o fuego que pueden causar lesiones o daños materiales.
- **La herramienta puede sobrecalentarse debido a un uso continuado o a ciclos de uso intensivo. Detenga inmediatamente su funcionamiento y deje que la herramienta se enfríe, si cualquiera de sus partes se calienta demasiado como para tocarla o si se observa cualquier indicio de humo procedente del motor.** Si se sigue utilizando en estas condiciones, puede dañarse la herramienta y causar lesiones o daños materiales debido al calentamiento o incendio.
- **Deje de utilizarla de inmediato y sustituya cualquier batería que se caliente en exceso por el uso o utilícela durante periodos muy cortos.** Normalmente, estas baterías disponen de una elevada cantidad de ciclos de carga/descarga o pueden ser antiguas o estar dañadas. El uso continuado de una batería dañada, puede causar lesiones o daños materiales debido a un calentamiento, incendio o explosión.
- **No modifique la herramienta, los dispositivos de seguridad ni los accesorios.** Las modificaciones no autorizadas pueden producir descargas eléctricas, incendios o lesiones corporales.
- **Utilice sólo accesorios recomendados por Ingersoll Rand para su modelo.** Los accesorios apropiados para una herramienta, pueden ser peligrosos si se utilizan con otra.
- **Si utiliza guantes, asegúrese de que no le impidan liberar el mecanismo del mando, ya que eso podría provocar lesiones corporales.**
- **No despegue ninguna etiqueta. Sustituya todas las etiquetas dañadas.** Las etiquetas le aportan información para la utilización segura del producto.

Reparación

- **Haga que la reparación de su herramienta motorizada la lleve a cabo personal cualificado que utilice sólo piezas de repuesto idénticas.** De este modo, se garantizará la seguridad de la herramienta motorizada.
- **Cuando se repare una herramienta, se deben seguir las instrucciones de mantenimiento y utilizar sólo recambios originales de Ingersoll Rand.** La utilización de piezas no autorizadas o el incumplimiento de las instrucciones de mantenimiento podría provocar descargas eléctricas o lesiones.
- **No se deshaga de las baterías arrojándolas al fuego; no las queme ni las exponga a temperaturas superiores a los 100 °C (212 °F).** En caso de uso incorrecto, las baterías pueden causar incendios y quemaduras químicas.
- **Recicle las baterías o deshágase de ellas de forma responsable, de acuerdo con todos los estándares y regulaciones aplicables (locales, estatales, nacionales, federales, etc.)** La eliminación inadecuada de las baterías puede poner en peligro el medio ambiente.

ADVERTENCIA

Reglas de Seguridad Específicas del Producto

- **Sujete la herramienta con superficies de agarre aislantes cuando lleve a cabo una tarea en la que la herramienta cortante pueda entrar en contacto con cables ocultos.** Entrar en contacto con un cable con corriente provocará que las partes metálicas expuestas de la herramienta conduzcan la corriente y emitan descargas al usuario.
- **En modelos reversibles, compruebe la posición del mecanismo que invierte el sentido del funcionamiento antes de utilizar la herramienta.** Conocer la dirección de rotación ayuda a mantener el control de la herramienta.
- **Utilice sólo bocas y accesorios de impacto.** No utilice adaptadores o accesorios manuales (cromo). Pueden romperse mientras se utilizan y provocar lesiones.
- **Compruebe periódicamente el extremo de accionamiento de la herramienta para asegurarse de que el retén de los adaptadores funcione correctamente y de que los adaptadores y los extremos de accionamiento no estén excesivamente desgastados.** Esto podría provocar que el adaptador se desprendiera al rotar.
- **Los aprietatuercas de percusión no son llaves de par controlado. Las conexiones que necesiten un par de apriete específico se deben comprobar con un medidor de par después del apriete con un aprietatuercas de percusión.** Si los elementos de sujeción no están bien apretados, pueden aflojarse y provocar lesiones.
- **Los gatillos expuestos no se deben usar en los lugares en los que las obstrucciones puedan mantener el mando de accionamiento activado.** Es posible que no pueda apagar la herramienta.

Información de seguridad sobre el producto: Batería

Descripción del Producto

Una batería es un dispositivo de almacenamiento de energía eléctrica que se utiliza como fuente de alimentación para los productos inalámbricos de Ingersoll Rand.

ADVERTENCIA

Advertencias de seguridad generales de la batería

- **Aviso** Lea todos los avisos de seguridad e instrucciones. No respetar los avisos e instrucciones puede resultar en descarga eléctrica, incendio o daños graves.
- **Guarde todos los avisos e instrucciones para su futura consulta.**
- **Es su responsabilidad poner esta información de seguridad a disposición de quienes vayan a utilizar el aparato.** Si no se siguen estas regulaciones y estándares, pueden producirse lesiones corporales.
- **Instale, utilice, inspeccione y mantenga siempre este producto de acuerdo con todas las regulaciones y estándares aplicables (locales, estatales, nacionales, federales, etc.).** Su cumplimiento es responsabilidad suya. Si no se siguen estas regulaciones y estándares, pueden producirse lesiones corporales.
- El término "herramienta eléctrica" en las advertencias se refiere a su herramienta eléctrica accionada por batería (inalámbrica).

Seguridad eléctrica

- **No exponga las baterías o herramientas eléctricas a la lluvia o mojaduras.** El ingreso de agua a una batería o herramienta eléctrica incrementa el riesgo de descarga eléctrica.

Seguridad personal

- **No modifique el producto, los dispositivos de seguridad ni los accesorios.** Las modificaciones no autorizadas pueden producir descargas eléctricas, incendios o lesiones corporales.

Uso y cuidado de la batería y herramienta eléctrica

- **Almacene las baterías y herramientas eléctricas descargadas fuera del alcance de los niños y no permita que personas no familiarizadas con la batería o herramienta eléctrica o estas instrucciones accione la batería o herramienta eléctrica.** Las baterías y herramientas eléctricas son peligrosas en manos de usuarios no capacitados.
- **Use la batería, herramienta eléctrica, accesorios y herramientas de corte, etc., de acuerdo con estas instrucciones, tomando en cuenta las condiciones de trabajo y el trabajo a realizar.** El uso de la batería o herramienta eléctrica para funciones que difieran de las indicadas podría provocar una situación peligrosa.
- **Recargue únicamente con el cargador especificado por el fabricante.** Un cargador apropiado para un tipo de conjunto de batería puede crear riesgo de incendio cuando se lo usa con otro conjunto de batería. Consulte el manual de información de producto del cargador para las advertencias adicionales específicas del cargador.
- **Use las herramientas eléctricas únicamente con conjuntos de batería diseñados específicamente.** El uso de cualquier otro conjunto de batería puede crear peligro de lesiones e incendio.
- **Cuando no utilice una batería, manténgala alejada de otros objetos metálicos como: clips, monedas, llaves, clavos, tornillos u otros objetos metálicos pequeños que puedan establecer conexión desde un polo al otro.** Colocar los polos de las baterías cerca puede provocar chispas, quemaduras o un incendio.
- **Bajo condiciones abusivas, la batería puede eyectar líquido. Evite el contacto. Si el contacto se produce accidentalmente, lávese con agua. Si el líquido hace contacto con los ojos, busque además ayuda médica.** El líquido eyectado de la batería puede causar irritación o quemaduras.
- **Deje de utilizarla de inmediato y sustituya cualquier batería que se caliente en exceso por el uso o utilícela durante periodos muy cortos. Normalmente, estas baterías disponen de una elevada cantidad de ciclos de carga/descarga o pueden ser antiguas o estar dañadas.** El uso continuado de una batería dañada, puede causar lesiones o daños materiales debido a un calentamiento, incendio o explosión.
- **No despegue ninguna etiqueta. Sustituya todas las etiquetas dañadas.** Las etiquetas le aportan información para la utilización segura del producto.
- **No someta las batería a choques mecánicos.**
- **No deje la batería en carga prolongada cuando no está en uso.**
- **Cuando sea posible, retire la batería del equipo cuando no esté en uso.**
- **No use baterías que hayan sido dañadas físicamente.**

Reparación

- **No se deshaga de las baterías arrojándolas al fuego; no las quemé ni las exponga a temperaturas superiores a los 100 °C (212 °F).** En caso de uso incorrecto, las baterías pueden causar incendios y quemaduras químicas.
- **Recicle las baterías o deshágase de ellas de forma responsable, de acuerdo con todos los estándares y regulaciones aplicables (locales, estatales, nacionales, federales, etc.)** La eliminación inadecuada de las baterías puede poner en peligro el medio ambiente.
- **No abra la cubierta o carcasa. En su interior, no hay elementos que el usuario pueda reparar.** Podría provocar descargas eléctricas u otras lesiones corporales.

AVISO

Si desea información de seguridad específica para su modelo, consulte el manual de información del producto.

Identificación de los símbolos de seguridad

Riesgo de descarga eléctrica



Utilice protección respiratoria



Utilice protección ocular



Utilice protección acústica



Lea los manuales antes de utilizar el producto



Riesgo de quemaduras, superficie a alta temperatura



Sólo para uso interior

Información de seguridad - Explicación de los mensajes de las señales de seguridad**PELIGRO**

Indica una situación de peligro inminente que, de no evitarse, resultaría en lesiones graves o muerte.

**ADVERTENCIA**

Indica una situación potencialmente peligrosa que, de no evitarse, podría resultar en lesiones graves o muerte.

**CUIDADO**

Indica una situación potencialmente peligrosa que, de no evitarse, podría producir lesiones de leves a moderadas o daños en la propiedad.

AVISO

Indica información o una política de la empresa directa o indirectamente relacionada con la seguridad del personal o la protección de la propiedad.

Información sobre las piezas del producto**CUIDADO**

El uso de piezas de recambio que no sean las auténticas piezas Ingersoll Rand podría poner en peligro la seguridad, reducir el rendimiento de la herramienta y aumentar los cuidados de mantenimiento necesarios, así como invalidar toda garantía.

Las instrucciones originales están en inglés. Las demás versiones son una traducción de las instrucciones originales.

Los manuales pueden descargarse desde ingersollrandproducts.com.

Remita todas las comunicaciones a la oficina o al distribuidor de **Ingersoll Rand** más cercano.

Informations de sécurité du produit: Clé à chocs sans fil

Description du Produit

Une clé à chocs sans fil est un outil à main fonctionnant à l'aide de piles rechargeables qui produit des impacts rotatifs pour serrer ou desserrer des éléments de fixation filetés, au moyen de douilles amovibles spécialement durcies.



Règles de Sécurité Générales

- **Attention** ! Lisez toutes les instructions. Le non-respect de celles-ci peut provoquer des chocs électriques, des incendies et/ou des blessures graves. Le terme « outil » dans tous les avertissements ci-dessous fait référence à votre outil fonctionnant sur secteur (câblé) ou sur batterie (sans fil).
- **Il vous incombe de transmettre les présentes informations de sécurité à tous les utilisateurs du produit.** Le non-respect de ces normes et réglementations peut provoquer des blessures.
- **Installez, utilisez, inspectez et entretenez toujours ce produit conformément à toutes les normes et réglementations en vigueur (locales, nationales, fédérales, européennes etc.).** Vous êtes responsable du respect de ces normes. Le non-respect de ces normes et réglementations peut provoquer des blessures.

Lieu de Travail

- **Maintenez votre lieu de travail propre et bien éclairé.** Des établis en désordre et des surfaces sombres sont susceptibles de provoquer des accidents.
- **N'utilisez pas les outils dans des atmosphères explosives, par exemple en présence de liquides inflammables, de gaz ou de poussière.** Les outils provoquent des étincelles susceptibles d'enflammer les poussières ou les fumées.
- **Tenez les spectateurs et enfants éloignés pendant l'utilisation de l'outil.** Tout moment d'inattention de votre part peut entraîner une perte du contrôle de l'outil.
- **Faites attention aux risques de danger enfouis, cachés ou autres dans votre environnement de travail. Ne touchez et n'endommagez pas les cordons, conduits, canalisations ou tuyaux pouvant contenir des fils électriques, des gaz explosifs ou des liquides dangereux.** Cela pourrait provoquer un choc électrique, un incendie ou des blessures.

Sécurité Électrique

- **Les fiches des outils doivent correspondre aux prises. La fiche ne doit en aucun cas être modifiée. Ne jamais utiliser de fiche d'adaptation quelle qu'elle soit avec des outils reliés à la terre.** Des fiches non modifiées et des prises correspondantes réduisent les risques de choc.
- **Évitez tout contact avec les surfaces reliées à la terre telles que les tuyaux, radiateurs, cuisinières et réfrigérateurs.** Le risque de choc électrique est accru si votre corps est relié à la terre.
- **Les outils électriques doivent être conservés à l'abri de la pluie et de toute humidité.** L'infiltration d'eau dans un outil augmente le risque de choc électrique.
- **Utilisez convenablement le cordon. N'utilisez jamais le cordon pour transporter, tirer ou débrancher l'outil. Assurez-vous que le cordon est placé à distance des sources de chaleur, d'huile, d'arêtes vives ou de pièces mobiles.** Les cordons endommagés ou entremêlés augmentent les risques de choc électrique.
- **Lors de l'utilisation d'un outil en extérieur, utilisez une rallonge adaptée à ce type d'utilisation.** L'utilisation d'un câble adapté pour l'extérieur réduit le risque de choc électrique.
- **Face à l'obligation d'utiliser un outil électrique dans un site humide, il convient de protéger l'alimentation électrique par un dispositif différentiel résiduel (DDR).** L'utilisation d'un DDR permet de réduire les risques de chocs électriques.

Sécurité de L'utilisateur

- **Restez vigilant et attentif et faites preuve de bon sens lors de l'utilisation de cet outil. N'utilisez pas cet outil en cas de fatigue ou sous l'influence de la drogue, d'alcool ou de médicaments.** Un moment d'inattention au cours de l'utilisation de ces outils suffit pour provoquer de graves blessures.
- **Utilisez les équipements de sécurité. Protégez-vous toujours les yeux.** Des équipements de sécurité tels que des masques anti-poussière, des chaussures de sécurité antidérapantes, des casques ou des protections auditives utilisés dans des conditions appropriées réduisent les blessures.
- **Évitez tout démarrage accidentel. Vérifiez que l'interrupteur est en position Arrêt avant de brancher l'outil.** Transporter des outils avec un doigt placé sur l'interrupteur ou brancher des outils alors que l'interrupteur est en position Marche peut provoquer des accidents.
- **Retirez toute clavette de calage ou clé à chocs avant de mettre l'outil sous tension.** Une clé ou une clavette restée attachée à un élément rotatif de l'outil peut provoquer des blessures.
- **Ne présumez pas de vos forces. Soyez toujours bien positionné et en équilibre.** Cela permet de mieux contrôler l'outil dans les situations inattendues.
- **Portez des habits adéquats. Ne portez pas de vêtements trop amples ni de bijoux. Attachez-vous les cheveux. Gardez vos cheveux, vos vêtements et vos gants à distance des éléments mobiles.** Les vêtements amples, bijoux et cheveux longs peuvent se coincer dans les pièces mobiles.
- **Si des appareils sont fournis pour le raccordement de matériel d'extraction et de collecte de poussière, vérifiez qu'ils sont connectés et utilisés correctement.** L'utilisation de ces appareils peut réduire les risques liés à la poussière.
- **Utilisez des vis ou tout autre moyen pour sécuriser et assurer le support de la pièce de fabrication sur une plate-forme stable.** Le fait de tenir un élément à bout de bras ou contre vous constitue une source d'instabilité et peut conduire à la perte de contrôle de l'outil.
- **Évitez toute exposition ou inhalation de poussières et de particules dangereuses générées par l'utilisation de l'outil.**
 - Certaines poussières générées par ponçage, sciage, meulage, perçage et autres activités de construction contiennent des produits chimiques cancérigènes pouvant entraîner des anomalies congénitales ou des risques de malformations génétiques. Certains de ces produits chimiques sont :
 - le plomb issu de peintures à base de plomb;

- la silice cristallisée utilisée pour les briques, le ciment et autres produits de maçonnerie ;
- l'arsenic et le chrome issus du bois traité chimiquement.
- Les risques liés à ces expositions dépendent de la fréquence à laquelle vous effectuez ce type de travail. Pour limiter l'exposition à ces produits chimiques : travaillez dans un lieu bien ventilé avec des équipements de sécurité adéquats, tels que des masques anti-poussières spécialement conçus pour filtrer les particules microscopiques.
- **Cessez d'utiliser un outil en cas de malaise, d'engourdissement ou de douleur.** Des vibrations, des mouvements répétés ou des positions inconfortables peuvent présenter des risques pour vos mains et vos bras. Ces outils peuvent émettre des vibrations en cours d'utilisation. Consultez un médecin avant de les utiliser à nouveau.
- **L'émission de vibrations pendant le fonctionnement de l'outil électrique peut différer de la valeur déclarée en fonction du mode d'utilisation.** Prenez les mesures de sécurité qui s'imposent pour assurer la protection de l'opérateur, en fonction de l'estimation de l'exposition au cours de l'utilisation réelle
- **Évitez tout contact avec les pièces mobiles de l'outil.** L'outil et/ou ses accessoires peuvent continuer à être en mouvement pendant un bref instant suite à la mise hors tension, pouvant ainsi présenter des risques d'empêchement ou d'autres blessures.

Utilisation et Maintenance de L'outil

- **N'exercez pas de pression trop importante sur l'outil lors de son utilisation. Utilisez l'outil correspondant au type de travail que vous effectuez.** Dans le cadre de l'utilisation pour laquelle il a été conçu, un outil fonctionne mieux et de manière plus sûre.
- **N'utilisez pas cet outil si l'interrupteur ne permet pas de le mettre sous et hors tension.** Tout outil ne pouvant pas être contrôlé par l'interrupteur présente des risques et doit être réparé.
- **Avant d'effectuer tout réglage, de changer d'accessoire et de ranger l'outil, débranchez la fiche de la source d'alimentation électrique.** De telles mesures de sécurité préventives réduisent les risques de mise sous tension accidentelle de l'outil.
- **Stockez les outils inutilisés hors de portée des enfants et ne laissez aucune personne non familiarisée avec l'outil ou avec ces instructions l'utiliser.** Ces outils peuvent s'avérer dangereux s'ils sont utilisés par des personnes non qualifiées.
- **Entretenez les outils. Vérifiez tout désalignement ou accrochage des pièces mobiles, ainsi que toute rupture des éléments ou toute autre condition pouvant altérer le fonctionnement de l'outil. Si celui-ci est endommagé, faites-le réparer avant de l'utiliser.** Beaucoup d'accidents surviennent suite à un mauvais entretien des outils.
- **Faites en sorte que les outils coupants restent aiguisés et propres.** Des outils bien entretenus, avec des lames aiguisées, verront leur fonctionnement amélioré et seront plus faciles à manier. Gardez les poignées propres et sèches pour conserver le contrôle des outils.
- **Utilisez l'outil, les accessoires, les pièces, etc. conformément à ces instructions et de la manière prévue, en tenant compte des conditions de travail et de la tâche à effectuer.** L'utilisation de l'outil pour des opérations autres que celles prévues peuvent vous mettre en danger.

Utilisation et Maintenance des Outils sur Batterie

- **Utilisez exclusivement le type de chargeur spécifié par le fabricant.** Un chargeur correspondant à un type de pile spécifique peut entraîner un risque d'incendie lorsqu'il est utilisé avec un autre type de pile.
- **N'utilisez l'outil qu'avec le bloc de piles prévu à cet effet.** L'utilisation d'un autre bloc de piles peut constituer un risque de blessure et d'incendie.
- **Lorsque le bloc de piles n'est pas utilisé, tenez-le à distance des objets métalliques tels que : trombones, pièces de monnaie, clés, clous, vis ou autres petits objets en métal pouvant établir une connexion entre les contacts.** Un court-circuit entre les contacts de la pile peut provoquer des brûlures ou un incendie.
- **Dans des conditions extrêmes, la pile peut rejeter du liquide ; évitez tout contact. En cas de contact accidentel, nettoyez abondamment à l'eau claire. Si le liquide entre en contact avec les yeux, consultez également un médecin.** Le liquide éjecté de la pile peut entraîner des irritations ou des brûlures.
- **Assurez-vous que l'interrupteur est réglé sur ARRÊT avant d'insérer le bloc de piles.** L'insertion du bloc de piles dans l'outil avec l'interrupteur réglé sur MARCHE peut entraîner des accidents.
- **Retirez le bloc de piles de l'outil ou mettez l'interrupteur sur la position ARRÊT avant de procéder à des réglages ou de changer des accessoires.** Ces mesures de sécurité préventives réduisent les risques de mise sous tension accidentelle de l'outil.
- **Les outils électriques surchauffent si vous continuez de les utiliser lorsque leur moteur subit une charge excessive, cale ou ne peut pas tourner.** Arrêtez l'outil lorsque cela se produit. Si vous continuez de l'utiliser, cela peut générer de la chaleur, de la fumée ou un incendie pouvant entraîner des blessures ou des dégâts matériels.
- **Retirez le bloc de piles de l'outil avant de stocker ce dernier ou de le mettre dans une boîte à outils ou un sac. Toute mise sous tension accidentelle durant le stockage ou le transport peut engendrer des situations dangereuses, notamment une surchauffe de l'outil.** Le fonctionnement non contrôlé de l'outil peut engendrer des situations dangereuses telles qu'une surchauffe, de la fumée ou un incendie.
- **Ne bloquez pas les aérations car cela pourrait provoquer la surchauffe de l'outil.** Si vous l'utilisez dans de telles conditions, cela peut générer de la chaleur, de la fumée ou un incendie pouvant entraîner des blessures ou des dégâts matériels.
- **L'outil peut surchauffer en cas d'utilisation continue ou forcée. Cessez immédiatement d'utiliser l'outil et laissez-le refroidir si l'une de ses parties devient brûlante ou si de la fumée s'échappe du moteur.** L'utilisation de l'outil en ces conditions endommagera l'outil et risque de provoquer des blessures ou des dégâts par la chaleur ou le feu.
- **Cessez immédiatement d'utiliser l'outil et remplacez toute batterie s'échauffant de manière inhabituelle ou n'offrant qu'une autonomie réduite.** Les batteries présentent généralement une capacité importante de cycles de chargement/déchargement. Il est donc possible qu'elles soient trop anciennes ou endommagées. L'utilisation d'une batterie en mauvais état peut provoquer des blessures ou des dégâts dus à la chaleur, au feu ou à une explosion.
- **N'essayez jamais de modifier cet outil, les dispositifs de sécurité ou les accessoires.** Cela pourrait provoquer un choc électrique, un incendie ou des blessures.
- **Utilisez uniquement les accessoires recommandés par Ingersoll Rand pour votre modèle.** Des accessoires utilisables avec un outil spécifique peuvent s'avérer dangereux sur un autre.
- **Si vous portez des gants, assurez-vous qu'ils n'entravent pas la course de la gâchette.** Cela pourrait provoquer des blessures.
- **Ne retirez aucune étiquette. Remplacez toute étiquette endommagée.** Ces étiquettes fournissent des informations utiles pour une utilisation sûre de ce produit.

Entretien

- **Faites entretenir votre outil par des réparateurs qualifiés et n'utilisez que des pièces de rechange identiques.** Cela garantit le maintien de la sécurité de l'outil.
- **Pour la réparation des outils, n'utilisez que des pièces détachées Ingersoll Rand d'origine et suivez scrupuleusement les instructions de maintenance.** L'utilisation de pièces non autorisées ou le non-respect des consignes de maintenance peuvent représenter un risque de choc électrique ou de blessure.
- **Ne jetez pas les piles dans le feu, ne les incinerez pas ou ne les exposez pas à une température supérieure à 100 °C (212 °F).** Les piles présentent un risque d'incendie ou de brûlure chimique lorsqu'elles sont manipulées de façon inadéquate.
- **Recyclez ou mettez au rebut les piles conformément à toutes les normes et réglementations en vigueur (locales, nationales, fédérales, européennes etc.).** Une mise au rebut incorrecte peut nuire à l'environnement.

AVERTISSEMENT

Règles de Sécurité Spécifiques au Produit

- **Tenez l'outil en isolant les surfaces de serrage lors d'une utilisation où l'outil coupant pourrait entrer en contact avec des câbles cachés.** Tout contact avec un câble « conducteur » rendra les parties métalliques exposées « conductrices » et provoquera un choc électrique.
- **Pour les modèles réversibles, repérez la position du mécanisme d'inversion avant la mise sous tension.** La connaissance du sens de rotation aide à garder le contrôle de l'outil.
- **N'utilisez que des douilles et accessoires pour clés à chocs.** N'utilisez pas de douilles ou d'accessoires en chrome. Elles peuvent éclater en cours d'utilisation et causer des blessures.
- **Vérifiez régulièrement l'extrémité de l'arbre de l'outil pour vous assurer que la goupille de retenue fonctionne correctement. Vérifiez également que les douilles et les extrémités de l'arbre ne sont pas excessivement usées.** Ces deux conditions peuvent provoquer un détachement de la douille lors de sa rotation.
- **Les clés à chocs ne sont pas des clés dynamométriques. Les raccords nécessitant des couples spécifiques doivent être vérifiés avec une clé dynamométrique après avoir été serrés avec une clé à chocs.** Des fixations mal ajustées peuvent se desserrer et provoquer des accidents.
- **Les outils avec gâchettes saillantes ne seront pas utilisés là où des obstructions pourraient maintenir la gâchette sur la position MARCHÉ.** Vous pourriez vous trouver dans l'impossibilité de mettre l'outil hors tension.

Informations de sécurité du produit: Batterie

Description du Produit

Une pile est un dispositif de stockage de l'électricité utilisé en tant que source d'alimentation pour les produits sans fil **Ingersoll Rand**.

AVERTISSEMENT

Avertissements de sécurité généraux concernant la batterie

- **Attention!** Lire tous les avertissements relatifs à la sécurité ainsi que la totalité des instructions. Ne pas suivre les avertissements et instructions peut entraîner la survenue d'un choc électrique, d'un incendie et/ou de blessures graves.
- **Conserver la totalité des avertissements et instructions fournis pour d'éventuelles consultations ultérieures.**
- **Il vous incombe de transmettre les présentes informations de sécurité à tous les utilisateurs du produit.** Le non respect des normes et réglementations peut provoquer des blessures.
- **Installez, utilisez, inspectez et entretenez toujours ce produit conformément à toutes les normes et réglementations en vigueur (locales, nationales, fédérales, européennes etc.).** Vous êtes responsable du respect de ces normes. Le non respect des normes et réglementations peut provoquer des blessures.
- Le terme « outil électrique » dans les avertissements désigne l'outil (sans fil) alimenté par votre batterie.

Sécurité électrique

- **N'exposez pas les batteries ou les outils électriques à la pluie ou à l'eau.** L'infiltration d'eau dans une batterie ou un outil électrique augmente le danger d'électrocution.

Sécurité de l'utilisateur

- **Ne modifiez jamais ce produit, les dispositifs de sécurité ni les accessoires.** Cela pourrait provoquer un choc électrique, un incendie ou des blessures.

Utilisation et entretien de la batterie et de l'outil électrique

- **Rangez les batteries et les outils électriques inutilisés hors de portée des enfants et ne laissez aucune personne n'étant pas familière avec la batterie, l'outil électrique et ces instructions s'en servir.** Entre les mains d'un utilisateur non formé, les batteries et les outils électriques peuvent être dangereux.
- **Utilisez la batterie, l'outil électrique, les accessoires et les mèches etc. en suivant bien ces instructions, et en tenant compte des conditions de travail et de la tâche à accomplir.** L'utilisation de la batterie ou de l'outil électrique pour un usage non prévu à cet effet peut se révéler dangereux.
- **Utilisez exclusivement le type de chargeur spécifié par le fabricant.** Un chargeur peut être approprié pour un type de bloc batterie mais créer un risque d'incendie avec un autre type de bloc batterie. Pour davantage d'avertissements spécifiques sur le chargeur, consultez le manuel d'Informations du chargeur.
- **N'utilisez l'outil qu'avec un bloc batterie prévu à cet effet.** L'utilisation d'un autre bloc batterie peut entraîner un danger de blessure et d'incendie.
- **Lorsque le bloc de piles n'est pas utilisé, tenez-le à distance des autres objets métalliques tels que : des trombones, pièces de monnaie, clés, clous, vis ou autres petits objets en métal pouvant créer une connexion entre un terminal et un autre.** Un court circuit entre les terminaux de piles peut provoquer des étincelles, des brûlures ou un incendie.
- **En cas de mauvaise utilisation, la batterie peut rejeter du liquide ; évitez tout contact. En cas de contact accidentel, nettoyez abondamment à l'eau claire. En cas de contact avec les yeux, rincez abondamment et consultez un médecin.** Le liquide en provenance de la pile peut entraîner des irritations ou des brûlures.
- **Cessez immédiatement d'utiliser l'outil et remplacez toute batterie s'échauffant de manière inhabituelle ou n'offrant qu'une autonomie réduite.** Les batteries présentent généralement une capacité importante de cycles de chargement/déchargement. Il est donc possible qu'elles soient trop anciennes ou endommagées. L'utilisation d'une batterie en mauvais état peut provoquer des blessures ou des dégâts dus à la chaleur, au feu ou à une explosion.
- **Ne retirez aucune étiquette. Remplacez toute étiquette endommagée.** Ces étiquettes fournissent des informations utiles pour une utilisation sûre de ce produit.
- **Ne soumettez pas les batteries à des impacts physiques.**
- **Ne laissez pas une batterie en charge trop longtemps lorsqu'elle n'est pas utilisée.**
- **Dans la mesure du possible, enlevez la batterie de l'appareil lorsqu'il est inutilisé.**
- **N'utilisez pas de batteries qui ont été physiquement endommagées.**

Entretien

- **Ne jetez pas les piles dans le feu, ne les incinerez pas ou ne les exposez pas à une température supérieure à 100 °C (212 °F).** Les piles présentent un risque d'incendie ou de brûlure chimique lorsqu'elles sont manipulées de façon inadéquate.
- **Recyclez ou mettez au rebut les piles conformément à toutes les normes et réglementations en vigueur (locales, nationales, fédérales, européennes etc.).** Une mise au rebut incorrecte peut nuire à l'environnement.
- **N'ouvrez pas le capot ni le boîtier de l'appareil. Il ne contient aucun élément pouvant être entretenu par l'utilisateur.** Cela pourrait entraîner un choc électrique ou des blessures.

Informations de sécurité du produit: Chargeur de Batteries

Description du Produit

Un chargeur de piles est un appareil électrique qui convertit le courant alternatif en courant continu utilisé pour charger les accumulateurs.

AVERTISSEMENT

Règles de Sécurité Générales

- **Lisez attentivement toutes les instructions.** Le non-respect de celles-ci peut provoquer des chocs électriques, des incendies et/ou des blessures graves.
- **Il vous incombe de transmettre les présentes informations de sécurité à tous les utilisateurs du produit.** Le non-respect de ces normes et réglementations peut provoquer des blessures.
- **Installez, utilisez, inspectez et entretenez toujours ce produit conformément à toutes les normes et réglementations en vigueur (locales, nationales, fédérales, européennes etc.).** Vous êtes responsable du respect de ces normes. Le non-respect de ces normes et réglementations peut provoquer des blessures.
- **Il importe de veiller sur les enfants pour qu'ils n'utilisent pas ce produit et ne jouent pas avec.**
- **Ce produit n'est pas destiné à être utilisé par des personnes à capacités physiques, sensorielles ou mentales réduites, ou manquant d'expérience et de connaissances, sauf si elles ont bénéficié, pour l'utilisation de ce produit, de surveillance ou de formation par une personne responsable de leur sécurité.**

Lieu de Travail

- **N'utilisez pas le chargeur de piles dans un environnement explosif, par exemple en présence de liquides inflammables, de gaz ou de poussière.** Un chargeur de piles est susceptible de provoquer des étincelles qui peuvent enflammer les poussières ou les fumées.

Sécurité Électrique

- **Les produits à double isolation sont munis d'une fiche polarisée (une lame est plus large que l'autre). Cette fiche ne peut se connecter sur une prise polarisée que d'une seule manière. Si la fiche ne s'enfonce pas complètement dans la prise, retournez-la. Si elle ne se branche toujours pas correctement, contactez un électricien qualifié pour l'installation d'une prise polarisée. La fiche ne doit en aucun cas être modifiée.** En présence d'une double isolation, il n'est plus nécessaire d'utiliser un cordon électrique à trois fils avec mise à la terre, ni un système d'alimentation électrique avec mise à la terre.
- **Utilisez convenablement le cordon. N'utilisez jamais le cordon pour transporter, tirer ou débrancher l'outil. Assurez-vous que le cordon est placé à distance des sources de chaleur, d'huile, d'arêtes vives ou de pièces mobiles.** Les cordons endommagés ou entremêlés augmentent les risques de choc électrique.
- **Un appareil fonctionnant avec des piles intégrées ou un bloc de piles séparé ne doit être rechargé qu'avec le chargeur de piles spécifié.** Un chargeur correspondant à un type de pile spécifique peut entraîner un risque d'incendie lorsqu'il est utilisé avec un autre type de pile.
- **Le chargeur ne doit être utilisé qu'en intérieur. Veillez à ce que le chargeur ne soit pas exposé à la pluie. N'utilisez pas le chargeur dans des endroits humides ou mouillés.** Cela pourrait entraîner un choc électrique ou des blessures.
- **Respectez toujours la tension d'alimentation indiquée.** L'utilisation de cet outil sous une autre tension peut provoquer des chocs électriques, des incendies, un fonctionnement anormal de l'outil et des blessures graves.
- **Évitez tout contact des doigts, de fils et autres matériaux conducteurs avec les bornes de la batterie. Ne connectez l'appareil qu'à des batteries agréées par Ingersoll Rand.** Cela pourrait entraîner un choc électrique ou des blessures.
- **Ne tentez pas de recharger des batteries non rechargeables.** Cela pourrait provoquer un choc électrique, un incendie ou des blessures.

Sécurité de L'utilisateur

- **Ne modifiez jamais ce produit, les dispositifs de sécurité ou les accessoires.** Cela pourrait provoquer un choc électrique, un incendie ou des blessures.
- **N'utilisez pas ce produit à des fins autres que celles recommandées.** Cela pourrait provoquer un choc électrique, un incendie ou des blessures.
- **Assurez-vous que le chargeur est dans une position stable avant de le brancher à une source d'alimentation. Maintenez le chargeur hors de portée des enfants.** Une position instable ou une utilisation par des enfants peut conduire à un choc électrique, un incendie ou des blessures.

Utilisation et Maintenance

- **N'utilisez jamais un chargeur endommagé ou ne fonctionnant pas correctement. Débranchez immédiatement le chargeur et faites-le réparer ou remplacer.** L'utilisation continue d'un tel chargeur pourrait provoquer un choc électrique, un incendie ou des blessures.
- **Ne retirez aucune étiquette. Remplacez toute étiquette endommagée.** Ces étiquettes fournissent des informations utiles pour une utilisation sûre de ce produit.

Entretien

- **L'entretien ne doit être effectué que par un centre de service Ingersoll Rand agréé ou par un personnel qualifié équivalent.** L'entretien ou la maintenance effectués par un personnel non qualifié pourrait présenter des risques de blessures.
- **N'ouvrez pas le capot ni le boîtier de l'appareil. Il ne contient aucun élément pouvant être réparé par l'utilisateur.** Cela pourrait entraîner un choc électrique ou des blessures.
- **Si le cordon d'alimentation est endommagé, il doit être remplacé par un centre de service Ingersoll Rand agréé ou par un personnel qualifié équivalent.** Les cordons endommagés et mis en place de façon incorrecte augmentent les risques de choc électrique.

AVIS

Consultez le manuel Informations Produit concernant les informations spécifiques sur la sécurité du modèle.

Identification du Symbole de Sécurité



Risque de choc électrique



Veillez porter une protection respiratoire



Portez une protection oculaire



Portez une protection auditive



Lisez attentivement les manuels avant d'utiliser le produit



Risque de brûlure. Surface chaude.



Utilisation en intérieur uniquement

Informations de Sécurité - Explication des Symboles de Sécurité

DANGER

Signale une situation de danger imminent qui, si elle n'est pas évitée, peut provoquer la mort ou des blessures graves.

AVERTISSEMENT

Signale une situation de danger potentiel qui, si elle n'est pas évitée, pourrait provoquer la mort ou des blessures graves.

ATTENTION

Signale une situation de danger potentiel qui, si elle n'est pas évitée, peut provoquer des blessures mineures ou modérées ou des dommages matériels.

AVIS

Signale une information ou une règle de l'entreprise en rapport direct ou indirect avec la sécurité du personnel ou avec la protection des biens.

Informations sur les Pièces du Produit

ATTENTION

L'utilisation de pièces de rechange autres que les pièces d'origine Ingersoll Rand peut remettre en cause la sécurité, réduire les performances de l'outil et requérir une maintenance accrue, de même qu'elle peut annuler toutes les garanties.

Les instructions d'origine sont en anglais. Les autres langues sont une traduction des instructions d'origine.

Les manuels peuvent être téléchargés sur le site ingersollrandproducts.com.

Transmettez toutes vos communications au bureau ou au distributeur **Ingersoll Rand** le plus proche.

Informações de Segurança do Produto: Chave de Impacto Sem Fios

Descrição do Produto

Uma Chave de Impacto Sem Fios é uma ferramenta mecânica, manual, accionada por bateria, que utiliza impactos rotativos para apertar ou desapertar dispositivos de fixação roscados através de chaves de caixa especialmente endurecidas.



Regras Gerais de Segurança

- **Aviso!** Leia todas as instruções. Se as instruções que se seguem não forem integralmente cumpridas, podem ocorrer choques eléctricos, incêndios e/ou lesões graves. O termo "ferramenta mecânica", utilizado em todos os avisos abaixo, refere-se à ferramenta mecânica eléctrica sem bateria (com fio) ou à ferramenta mecânica accionada por bateria (sem fios).
- **Compete-lhe a si a responsabilidade pela disponibilização destas informações de segurança a todas as pessoas que venham a utilizar este equipamento.** O incumprimento das normas e dos regulamentos pode dar azo a lesões pessoais.
- **Instale, utilize, inspecione e mantenha sempre este equipamento de acordo com todas as normas e regulamentos aplicáveis (locais, estaduais, nacionais, federais, etc.).** Compete-lhe a si a responsabilidade pelo cumprimento destas normas e destes regulamentos. O incumprimento das normas e dos regulamentos pode dar azo a lesões pessoais.

Área de Trabalho

- **Mantenha a sua área de trabalho limpa e bem iluminada.** As bancadas de trabalho desarrumadas e as áreas mal iluminadas são mais propícias à ocorrência de acidentes.
- **Não utilize ferramentas mecânicas em atmosferas explosivas, como, por exemplo, em presença de líquidos, gases ou poeiras inflamáveis.** As ferramentas mecânicas produzem faíscas que podem incendiar poeiras ou gases.
- **Sempre que estiver a utilizar uma ferramenta deste tipo, mantenha afastados eventuais espectadores, crianças e visitantes.** Qualquer distração poderá fazer com que perca o controlo do equipamento.
- **Mantenha-se atento a eventuais perigos enterrados e ocultos que possam existir no seu local de trabalho, bem como de todos os outros eventuais perigos existentes nessa área.** Certifique-se de não entra em contacto com cabos, condutas, tubos ou manguieiras que possam conter fios eléctricos, gases explosivos ou líquidos nocivos, certificando-se também de que não os danifica. Se o fizer, poderão ocorrer choques eléctricos, incêndios ou lesões pessoais.

Segurança Eléctrica

- **As fichas das ferramentas mecânicas têm de estar de acordo com as tomadas a que vão ser ligadas. Nunca modifique a ficha de nenhuma forma. Nunca utilize fichas adaptadoras com ferramentas mecânicas ligadas à terra.** A utilização de fichas não modificadas e de tomadas correspondentes reduz o risco de choque.
- **Evite qualquer contacto físico com as superfícies ligadas à terra, tal como, por exemplo, canos, aquecedores, fogões e frigoríficos.** Correrá maior risco de apanhar choques eléctricos se o seu corpo estiver ligado à terra.
- **Não exponha ferramentas mecânicas à chuva nem a condições atmosféricas com humidade.** A penetração de água numa ferramenta mecânica aumenta o risco de choque eléctrico.
- **Certifique-se sempre de que usa indevidamente o cabo. Nunca utilize o cabo da ferramenta mecânica para a transportar, para a puxar nem para a desligar da tomada, puxando por ele. Mantenha os cabos afastados do calor, do óleo, de arestas afiadas ou de componentes rotativos.** Os cabos danificados ou emaranhados aumentam o risco de choque eléctrico.
- **Sempre que utilizar uma ferramenta mecânica no exterior, utilize uma extensão própria para utilização no exterior.** A utilização de uma extensão própria para utilização no exterior reduz o risco de choques eléctricos.
- **Se operar uma ferramenta de potência num local húmido for inevitável, use um dispositivo de corrente residual (RCD) com alimentação protegida.** O uso de um RCD reduz o risco de choque eléctrico.

Segurança Pessoal

- **Mantenha-se alerta, tenha atenção ao que está a fazer e use o bom senso quando estiver a utilizar uma ferramenta mecânica. Nunca utilize a ferramenta quando estiver cansado ou sob influência de drogas, álcool ou medicamentos.** Um momento de falta de atenção quando se está a utilizar ferramentas deste tipo pode ter como resultado lesões pessoais graves.
- **Use equipamento de segurança. Use sempre protecção ocular.** Devem ser sempre usadas máscara de protecção das vias respiratórias, sapatos de segurança antiderrapantes, capacete ou protecção auricular para assegurar as condições de trabalho apropriadas.
- **Evite uma entrada accidental em funcionamento. Antes de ligar a ferramenta à corrente, certifique-se sempre de que o interruptor de ligação está na posição correspondente a desligada.** Tanto o transporte de ferramentas com o dedo sobre o interruptor de ligação como a ligação à corrente de ferramentas mecânicas cujo interruptor de ligação está ligado podem dar origem a acidentes.
- **Retire quaisquer chaves ajustáveis ou outras chaves antes de ligar a ferramenta mecânica.** Chaves ajustáveis ou outras chaves que tenham ficado presas num componente rotativo da ferramenta mecânica podem provocar lesões pessoais.
- **Nunca se estique demasiado quando estiver a utilizar a ferramenta. Mantenha-se sempre firmemente apoiado e em equilíbrio.** Desta forma poderá controlar melhor a ferramenta em situações inesperadas.
- **Use vestuário apropriado. Não use roupas largas nem jóias. Se tiver cabelo comprido, prenda-o. Mantenha o cabelo, o vestuário e as luvas afastados dos componentes rotativos.** Peças de vestuário largas, jóias e cabelo comprido podem ficar presos nos componentes rotativos.
- **Se existirem dispositivos para ligação de sistemas de extração e de recolha de pó, certifique-se de que estão devidamente ligados e de que são utilizados correctamente.** A utilização deste tipo de dispositivos pode ajudar a reduzir os perigos inerentes à presença de pó.
- **Utilize dispositivos de fixação ou outros dispositivos práticos para prender a peça a uma plataforma estável e para apoiar nessa plataforma.** Segurar na peça com uma mão ou encostá-la ao corpo pode provocar instabilidade e dar origem a perda de controlo.
- **Evite expor-se e respirar poeiras e partículas nocivas resultantes da utilização da ferramenta.**
 - Algumas poeiras resultantes de trabalhos de lixagem, serragem, esmerilamento, perfuração e outras actividades de construção contém produtos químicos que se sabe causarem cancro, defeitos congénitos ou outros problemas do foro reprodutivo. Seguem-se alguns exemplos desses produtos químicos:
 - chumbo proveniente de tintas à base de chumbo,

- sílicio cristalino proveniente de tijolos e cimento, bem como de outros produtos utilizados na alvenaria e
- arsénico e crómio provenientes de madeira tratada quimicamente e utilizada na construção civil.
- O risco em que incorre devido à exposição a estes produtos varia em função da frequência com que faz esse tipo de trabalho. Para reduzir a exposição a esses produtos químicos: trabalhe numa área bem ventilada e use o equipamento de segurança aprovado, por exemplo, máscaras de protecção das vias respiratórias especialmente concebidas para filtrar partículas microscópicas.
- **Interrompa a utilização de qualquer ferramenta se sentir desconforto, sensação de formigamento ou dor.** As vibrações, os movimentos repetitivos ou as posições desconfortáveis podem ser prejudiciais para as suas mãos e para os seus braços. As ferramentas mecânicas podem vibrar quando estão a ser utilizadas. Aconselhe-se junto do médico antes de as voltar a utilizar.
- **A emissão de vibrações durante a utilização de uma ferramenta eléctrica pode diferir do valor declarado, dependendo da forma pela qual a ferramenta é usada.** Cumpra as medidas de protecção apropriadas para proteger o operador, com base numa estimativa de exposição durante a utilização real
- **Evite o contacto com os componentes rotativos da ferramenta.** A ferramenta e/ou os acessórios podem continuar a movimentar-se durante alguns instantes depois de terem sido desligados, existindo por isso o risco de ficar preso ou de sofrer outras lesões pessoais.

Utilização e Manutenção das Ferramentas Mecânicas

- **Não force a ferramenta. Utilize a ferramenta mecânica correcta para o fim pretendido.** A ferramenta mecânica correcta efectuará o trabalho melhor e com mais segurança, à velocidade para a qual foi concebida.
- **Não utilize a ferramenta mecânica se o respectivo interruptor não lhe permitir ligá-la ou desligá-la.** Qualquer ferramenta mecânica que não possa ser controlada pelo respectivo interruptor é perigosa e tem de ser reparada.
- **Desligue a ficha da ferramenta mecânica da tomada de alimentação antes de fazer qualquer ajuste, mudar de acessórios ou guardar a ferramenta.** Estas medidas de prevenção reduzem o risco de a ferramenta começar a funcionar acidentalmente.
- **Conserve as ferramentas que não estejam a ser utilizadas fora do alcance das crianças e não permita que terceiros que não estejam familiarizados com a ferramenta mecânica ou com estas instruções a utilizem.** As ferramentas tornam-se perigosas nas mãos de pessoas que não estão preparadas para as utilizar.
- **Manutenção da Ferramenta Mecânica Certifique-se existem componentes móveis mal alinhados ou dobrados, quebra de componentes e quaisquer outros problemas que possam afectar o funcionamento da ferramenta mecânica. Se detectar quaisquer danos, mande reparar a ferramenta mecânica antes de utilizar.** Muitos acidentes são provocados por ferramentas mecânicas que não foram devidamente mantidas.
- **Mantenha as ferramentas de corte afiadas e limpas.** As ferramentas submetidas a uma manutenção adequada, com arestas de corte afiadas, apresentam menos probabilidades de se prenderem e são controladas mais facilmente. Mantenha as pegas limpas e secas para manter o controlo.
- **Utilize a ferramenta mecânica, os acessórios, as ponteiros, etc. da forma indicada nestas instruções e da maneira prevista para a ferramenta mecânica em causa, tendo em consideração as condições de trabalho e o trabalho a ser realizado.** A utilização da ferramenta mecânica para a realização de trabalhos para os quais não se destina pode dar azo a situações de perigo.

Utilização e Manutenção das Baterias

- **Utilize sempre o carregador indicado pelo fabricante para a recarga das baterias.** Um carregador que é adequado para um tipo de bateria pode causar riscos de incêndio quando é utilizado com outra bateria.
- **Utilize sempre o conjunto de baterias especificamente indicado para a ferramenta mecânica em causa.** A utilização de outro conjunto de baterias pode dar azo a riscos de lesões e de incêndio.
- **Sempre que o conjunto de baterias não estiver a ser utilizado, mantenha-o afastado de outros objectos metálicos, como: cliques, moedas, chaves, pregos, parafusos ou outros objectos metálicos de pequena dimensão que possam estabelecer ligação entre um terminal e o outro.** O curto-circuito dos terminais da bateria pode dar azo a queimaduras ou incêndio.
- **Em condições de utilização incorrectas ou exageradas, pode ser derramado líquido da bateria; evite todo e qualquer contacto com este líquido. Em caso de contacto accidental, lave as partes do corpo afectadas com água abundante. Além disso, se o líquido entrar em contacto com os olhos, consulte imediatamente um médico.** O líquido derramado da bateria pode causar irritações ou queimaduras.
- **Antes de colocar o conjunto de baterias na ferramenta mecânica, certifique-se de que o interruptor está na posição de bloqueio ou na posição desligada.** A colocação do conjunto de baterias na ferramenta mecânica com o interruptor ligado é um convite a acidentes.
- **Desligue o conjunto da bateria da ferramenta ou coloque o interruptor numa posição desligada e bloqueada antes de efectuar ajustamentos ou mudar acessórios.** Estas medidas de prevenção reduzem o risco de a ferramenta começar a funcionar acidentalmente.
- **As ferramentas eléctricas podem sobreaquecer se permanecerem ligadas quando o motor da ferramenta estiver a produzir um esforço excessivo, ou se estiver bloqueado ou impedido de efectuar a rotação por qualquer razão. Desligue a ferramenta se isso ocorrer.** A utilização continua nestas condições pode provocar aquecimento, fumo ou fogo, e representa um risco de ferimentos pessoais ou danos a bens.
- **Desligue o conjunto da bateria da ferramenta antes de armazenar a ferramenta ou de a colocar numa caixa ou saco. O arranque accidental durante o armazenamento ou o transporte pode provocar várias condições de risco elevado, incluindo o sobreaquecimento da ferramenta.** A utilização não controlada da ferramenta pode provocar várias situações perigosas, incluindo aquecimento, fumo ou fogo.
- **Não bloqueie os orifícios de arrefecimento de ar da caixa, pois poderá provocar um sobreaquecimento da ferramenta.** A utilização da ferramenta nestas condições poderá provocar calor, fumo ou fogo associados a lesões ou danos de propriedade.
- **A ferramenta poderá sobreaquecer durante uma utilização contínua ou outros ciclos de funcionamento exigentes. Interrompa imediatamente o funcionamento e deixe a ferramenta arrefecer se algum componente da ferramenta ficar demasiado quente ao toque ou existir qualquer indicação de fumo do motor.** Se continuar a utilizar a ferramenta sob estas condições, poderá provocar danos na ferramenta e lesões ou danos de propriedade resultantes do calor ou fogo.
- **Interrompa imediatamente a utilização e substitua qualquer bateria que aqueça excessivamente durante a utilização ou proporcione tempos de utilização muito curtos.** Normalmente, estas baterias têm um número elevado de ciclos de carga/descarga, podem ser antigas ou estar danificadas. Se continuar a utilizar uma bateria incapacitada poderá provocar lesões ou danos de propriedade resultantes do calor, fogo ou explosão.
- **Nunca modifique esta ferramenta, nem os dispositivos de protecção e segurança ou os acessórios.** As modificações não autorizadas podem dar origem a choques eléctricos, incêndios ou lesões pessoais.
- **Utilize apenas acessórios recomendados pela Ingersoll Rand para o modelo de ferramenta que está a utilizar.** Os acessórios adequados para uma ferramenta podem ser perigosos quando utilizados com outra ferramenta.
- **Sempre que usar luvas, certifique-se de que as luvas não podem impedir o gatilho de ser libertado.** Podem ocorrer lesões pessoais.

- **Nunca remova quaisquer etiquetas. Substitua sempre as etiquetas danificadas.** As etiquetas contêm informações necessárias à utilização segura do produto.

Assistência

- **Esta ferramenta mecânica deve ser assistida e reparada por um técnico qualificado, que deverá utilizar exclusivamente peças sobressalentes idênticas às utilizadas na ferramenta.** Só assim fica garantida a segurança da ferramenta mecânica.
- **Sempre que reparar ou manter uma ferramenta, utilize exclusivamente peças sobressalentes originais da Ingersoll Rand e siga todas as Instruções de Manutenção.** A utilização de componentes não autorizados ou o incumprimento das Instruções de Manutenção pode dar origem a risco de choque eléctrico ou lesão.
- **Nunca deite as baterias para o fogo, nem as incinere ou aqueça a temperaturas superiores a 100°C (212°F).** Se não forem manuseadas da forma correcta, as baterias apresentam perigo de incêndio ou de queimadura provocada por produtos químicos.
- **Recicle ou elimine as baterias de forma responsável e em conformidade com todas as normas e os regulamentos aplicáveis (locais, estatais, do país, federais, etc.).** Se a bateria for eliminada de modo incorrecto pode prejudicar o ambiente.

AVISO

Regras de Segurança Específicas do Produto

- **Segure na ferramenta pelas pegadas isoladas quando estiver a executar uma operação em que a ferramenta de corte possa entrar em contacto com fios eléctricos ocultos.** O contacto com um fio sob tensão também fará com que as partes metálicas expostas da ferramenta fiquem sob tensão, e provocará um choque eléctrico ao operador.
- **Nos modelos reversíveis, verifique a posição do mecanismo de inversão antes de utilizar a ferramenta.** O facto de saber em que direcção ocorre a rotação ajuda a manter o controlo da ferramenta.
- **Utilize só chaves de caixa e acessórios de impacto.** Não utilize acessórios ou chaves de caixa manuais (cromados). Podem quebrar durante a utilização e provocar lesões.
- **Verifique periodicamente a extremidade de accionamento da ferramenta, para se certificar de que o retentor da chave de caixa está a funcionar correctamente e de que as chaves de caixa e as extremidades de accionamento não apresentam um desgaste excessivo.** Qualquer uma destas situações pode fazer com que a chave de caixa saia durante a rotação.
- **As chaves de impacto não são chaves dinamométricas. As ligações que requerem um binário de aperto específico devem ser verificadas com uma chave dinamométrica depois de apertadas com uma chave de impacto.** Os dispositivos de fixação apertados com um binário de aperto incorrecto podem soltar-se e causar lesões.
- **Os gatilhos desprotegidos não podem ser utilizados em situações em que eventuais obstruções possam manter o gatilho na posição de ligado.** Pode não conseguir desligar a ferramenta.

Informações de Segurança do Produto: Bateria

Descrição do Produto

Uma bateria é um dispositivo de armazenamento de energia eléctrica utilizado como fonte de alimentação para produtos sem fios da **Ingersoll Rand**.



AVISO

Advertências Gerais de Segurança da Bateria

- **Avise! Leia todos os avisos de segurança e todas as instruções.** O não cumprimento dos avisos e das instruções pode resultar em choques eléctricos, incêndios e/ou ferimentos graves.
- **Conserve todos os Avisos e instruções para futura referência.**
- **Compete-lhe a si a responsabilidade pela disponibilização destas informações de segurança a todas as pessoas que venham a utilizar este produto.** O incumprimento das normas e dos regulamentos pode dar azo a lesões pessoais.
- **Instale, utilize, inspeccione e mantenha sempre este equipamento de acordo com todas as normas e regulamentos aplicáveis (locais, estaduais, nacionais, federais, etc.).** Compete-lhe a si a responsabilidade pelo cumprimento destas normas e destes regulamentos. O incumprimento das normas e dos regulamentos pode dar azo a lesões pessoais.
- O termo "power tool" (ferramenta eléctrica) nas advertências refere-se à sua ferramenta eléctrica (sem fios) operada por bateria.

Segurança eléctrica

- **Não expor as baterias ou ferramentas eléctricas à chuva ou condições de humidade.** A entrada de água numa bateria ou ferramenta eléctrica irá aumentar o risco de choque eléctrico.

Segurança pessoal

- **Nunca modifique este produto, nem os dispositivos de protecção e segurança ou os acessórios.** As modificações não autorizadas podem dar origem a choques eléctricos, incêndios ou lesões pessoais.

Uso e cuidado da Bateria e Ferramenta Eléctrica

- **Armazene as pilhas e as ferramentas eléctricas não usadas fora do alcance das crianças e não permita que pessoas não familiarizadas com a bateria ou ferramenta eléctrica ou estas instruções para operar a bateria ou ferramenta eléctrica.** As pilhas e ferramentas eléctricas são perigosas nas mãos de utilizadores sem formação.
- **Use a bateria, a ferramenta eléctrica, acessórios e peças da ferramenta, etc., em conformidade com estas instruções, tendo em consideração as condições de funcionamento e o trabalho a ser realizado.** O uso da bateria ou ferramenta eléctrica para outras operações que não as previstas pode resultar numa situação perigosa.
- **Recarregar apenas com o carregador especificado pelo fabricante.** Um carregador que possa ser adequado para este tipo de bateria pode criar risco de incêndio quando utilizado com outra bateria. Consultar o manual de Informação do Produto Carregador para advertências adicionais específicas do carregador.
- **Utilize as ferramentas eléctricas apenas com conjuntos de baterias específicos.** O uso de quaisquer outros conjuntos de baterias pode criar risco de ferimentos e incêndio.
- **Sempre que o conjunto de baterias não estiver a ser utilizado, mantenha-o afastado de outros objectos metálicos, como: cliques, moedas, chaves, pregos, parafusos ou outros objectos metálicos de pequena dimensão que possam estabelecer ligação entre um terminal e o outro.** O curto-circuito dos terminais da bateria pode dar azo a faíscas, queimaduras ou incêndio.
- **Sob condições abusivas, pode sair líquido das baterias; evitar o contacto. Se ocorrer um contacto accidental, lave imediatamente com água. Se o líquido entrar em contacto com os olhos, deve também procurar um médico.** O líquido ejectado das baterias pode provocar irritação ou queimaduras.
- **Interrompa imediatamente a utilização e substitua qualquer bateria que aqueça excessivamente durante a utilização ou proporcione tempos de utilização muito curtos.** Normalmente, estas baterias têm um número elevado de ciclos de carga/descarga, podem ser antigas ou estar danificadas. Se continuar a utilizar uma bateria incapaz de provocar lesões ou danos de propriedade resultantes do calor, fogo ou explosão.
- **Nunca remova quaisquer etiquetas. Substitua sempre as etiquetas danificadas.** As etiquetas contêm informações necessárias à utilização segura do produto.
- **Não sujeitar as baterias a choque mecânico.**
- **Não deixar a bateria em carga prolongada quando não em utilização.**
- **Quando possível, desligue a bateria do equipamento quando não estiver a ser utilizada.**
- **Não usar baterias que estejam fisicamente danificadas.**

Assistência

- **Nunca deite as baterias para o fogo, nem as incinere ou aqueça a temperaturas superiores a 100°C (212°F).** Se não forem manuseadas da forma correcta, as baterias apresentam perigo de incêndio ou de queimadura provocada por produtos químicos.
- **Recicle ou elimine as baterias de forma responsável e em conformidade com todas as normas e os regulamentos aplicáveis (locais, estatais, do país, federais, etc.).** Se a bateria for eliminada de modo incorrecto pode prejudicar o ambiente.
- **Não abra a tampa ou a caixa. No interior não existem quaisquer peças que possam ser reparadas pelo utilizador.** Podem ocorrer choques eléctricos ou outras lesões pessoais.

Informações de Segurança do Produto: Carregador de baterias

Descrição do Produto

Um Carregador de Baterias é um dispositivo eléctrico que converte corrente eléctrica alternada na corrente eléctrica contínua que é utilizada para carregar baterias recarregáveis.



Regras Gerais de Segurança

- **Leia todas as instruções, certificando-se de que as compreendeu bem.** Se as instruções que se seguem não forem integralmente cumpridas, podem ocorrer choques eléctricos, incêndios e/ou lesões graves.
- **Compete-lhe a si a responsabilidade pela disponibilização destas informações de segurança a todas as pessoas que venham a utilizar este produto.** O incumprimento das normas e dos regulamentos pode dar azo a lesões pessoais.
- **Instale, utilize, inspeccione e mantenha sempre este produto de acordo com todas as normas e regulamentos aplicáveis (locais, estaduais, nacionais, federais, etc.).** Compete-lhe a si a responsabilidade pelo cumprimento destas normas e destes regulamentos. O incumprimento das normas e dos regulamentos pode dar azo a lesões pessoais.
- **As crianças deverão ser vigiadas, de forma a assegurar que não utilizam ou brincam com o produto.**
- **Este produto não deve ser utilizado por pessoas com capacidades físicas, sensoriais ou mentais diminuídas ou com falta de experiência e conhecimento, a não ser que estejam a ser vigiadas por uma pessoa responsável pela sua segurança ou que tenham recebido instruções relativas à utilização do produto.**

Área de Trabalho

- **Não utilize o carregador de baterias em atmosferas explosivas, como, por exemplo, em presença de líquidos, gases ou poeiras inflamáveis.** Os carregadores de baterias podem produzir faíscas que podem incendiar poeiras ou gases.

Segurança Eléctrica

- **Os produtos com duplo isolamento estão equipados com uma ficha polarizada (um pino é mais largo do que o outro.) Esta ficha só pode ser introduzida numa tomada polarizada numa posição. Se a ficha não entrar completamente na tomada, vire-a ao contrário. Se mesmo assim não entrar, entre em contacto com um técnico electricista para instalar uma tomada polarizada. Não altere a ficha de nenhuma forma.** O duplo isolamento elimina a necessidade de um cabo de terra de três fios e um sistema de alimentação ligado à terra.
- **Certifique-se sempre de que não usa indevidamente o cabo. Nunca utilize o cabo da ferramenta mecânica para a transportar, para a puxar nem para a desligar da tomada, puxando por ele. Mantenha os cabos afastados do calor, do óleo, de arestas afiadas ou de componentes rotativos.** Os cabos danificados ou emaranhados aumentam o risco de choque eléctrico.
- **Um produto accionado por bateria, com baterias incorporadas ou com um conjunto de baterias separado, só pode ser recarregado utilizando o carregador especificado para a bateria.** Um carregador que é adequado para um tipo de bateria pode causar riscos de incêndio quando é utilizado com outra bateria.
- **O carregador foi concebido exclusivamente para uma utilização no interior. Não exponha o carregador à chuva. Não utilize o carregador em locais molhados ou húmidos.** Podem ocorrer choques eléctricos ou outras lesões pessoais.
- **Utilize sempre a tensão de alimentação especificada.** Uma tensão incorrecta pode dar origem a choques eléctricos, incêndios, funcionamento irregular e lesões pessoais.
- **Evite o contacto dos terminais de carregamento das baterias com os dedos, fios ou outro material condutor. Ligue este carregador exclusivamente a baterias da Ingersoll Rand aprovadas.** Se não o fizer, podem ocorrer choques eléctricos ou outras lesões pessoais.
- **Não tente recarregar baterias não recarregáveis.** Se o fizer, poderão ocorrer choques eléctricos, incêndios ou lesões pessoais.

Segurança Pessoal

- **Nunca modifique este produto, nem os dispositivos de protecção e segurança ou os acessórios.** As modificações não autorizadas podem dar origem a choques eléctricos, incêndios ou lesões pessoais.
- **Nunca utilize este produto para fins diferentes daqueles para que é recomendado.** Se o fizer, poderão ocorrer choques eléctricos, incêndios ou lesões pessoais.
- **Coloque o carregador numa posição estável antes de o ligar a uma fonte de alimentação. Mantenha o carregador fora do alcance das crianças.** Uma localização incorrecta ou uma utilização incorrecta por parte de crianças pode dar origem a choques eléctricos, incêndios ou lesões pessoais.

Utilização e Manutenção

- **Nunca utilize um carregador danificado ou que não esteja a funcionar nas devidas condições. Desligue imediatamente o carregador e proceda à respectiva reparação ou substituição.** A utilização continuada pode dar origem a choques eléctricos, incêndios ou lesões pessoais.
- **Nunca remova quaisquer etiquetas. Substitua sempre as etiquetas danificadas.** As etiquetas contêm informações necessárias à utilização segura do produto.

Assistência

- **O carregador só pode ser reparado ou mantido por um Centro de Assistência Técnica Autorizado da Ingersoll Rand ou por um técnico similarmente qualificado.** Uma assistência ou manutenção realizada por pessoal não qualificado pode dar azo a riscos ou a lesões.
- **Não abra a tampa ou a caixa. No interior não existem quaisquer peças que possam ser reparadas pelo utilizador.** Se o fizer, podem ocorrer choques eléctricos ou outras lesões pessoais.
- **Se o cabo de alimentação estiver danificado, tem de ser substituído por um Centro de Assistência Técnica Autorizado da Ingersoll Rand ou por um técnico similarmente qualificado.** Os cabos danificados e incorrectamente instalados aumentam o risco de choque eléctrico.

NOTA

Consulte o manual com as informações do produto para obter informações sobre a segurança específica do modelo.

Identificação dos Símbolos de Segurança

Risco de choque elétrico



Use equipamento de protecção respiratória



Use protecção para os olhos



Use protecção auricular



Leia os manuais antes de utilizar o produto



Perigo de queimadura.
Superfície possivelmente quente.



Exclusivamente destinado a uma utilização no interior

Informação de Segurança – Explicação das Palavras de Aviso de Segurança

⚠ PERIGO Indica uma situação de perigo iminente que, se não for evitada, pode dar azo a morte ou lesões graves.

⚠ AVISO Indica uma situação potencialmente perigosa que, se não for evitada, pode dar azo a morte ou lesões graves.

⚠ ATENÇÃO Indica uma situação potencialmente perigosa que, se não for evitada, pode dar azo a lesões ligeiras a moderadas ou a danos em bens e propriedades.

NOTA

Indica informações ou uma política da companhia que diz directa ou indirectamente respeito à segurança do pessoal ou à protecção da propriedade.

Informações Sobre as Peças do Produto**⚠ ATENÇÃO**

A utilização de peças sobressalentes que não sejam peças sobressalentes originais da Ingersoll Rand pode colocar a segurança em perigo, reduzir o desempenho da ferramenta, aumentar a necessidade de manutenção e invalidar todas as garantias.

As instruções originais estão redigidas na língua inglesa. e encontram-se traduzidas noutros idiomas.

Pode transferir manuais do seguinte endereço da Internet: ingersollrandproducts.com.

Para qualquer assunto, contacte o escritório ou o distribuidor da **Ingersoll Rand** mais próximo.



This section contains product information for

- IQ^{V20} Cordless Impact Wrench
- IQ^{V20} Battery
- IQ^{V20} Battery Charger

Esta sección contiene información de producto de

- Aprietatuercas de percusión inalámbrico de IQ^{V20}
- Batería de IQ^{V20}
- Cargador de la batería de IQ^{V20}

Cette section contient des informations sur les produits pour

- Clé à chocs sans fil IQ^{V20}
- Batterie IQ^{V20}
- Chargeur de batterie IQ^{V20}

Esta secção contém informações sobre produtos para:

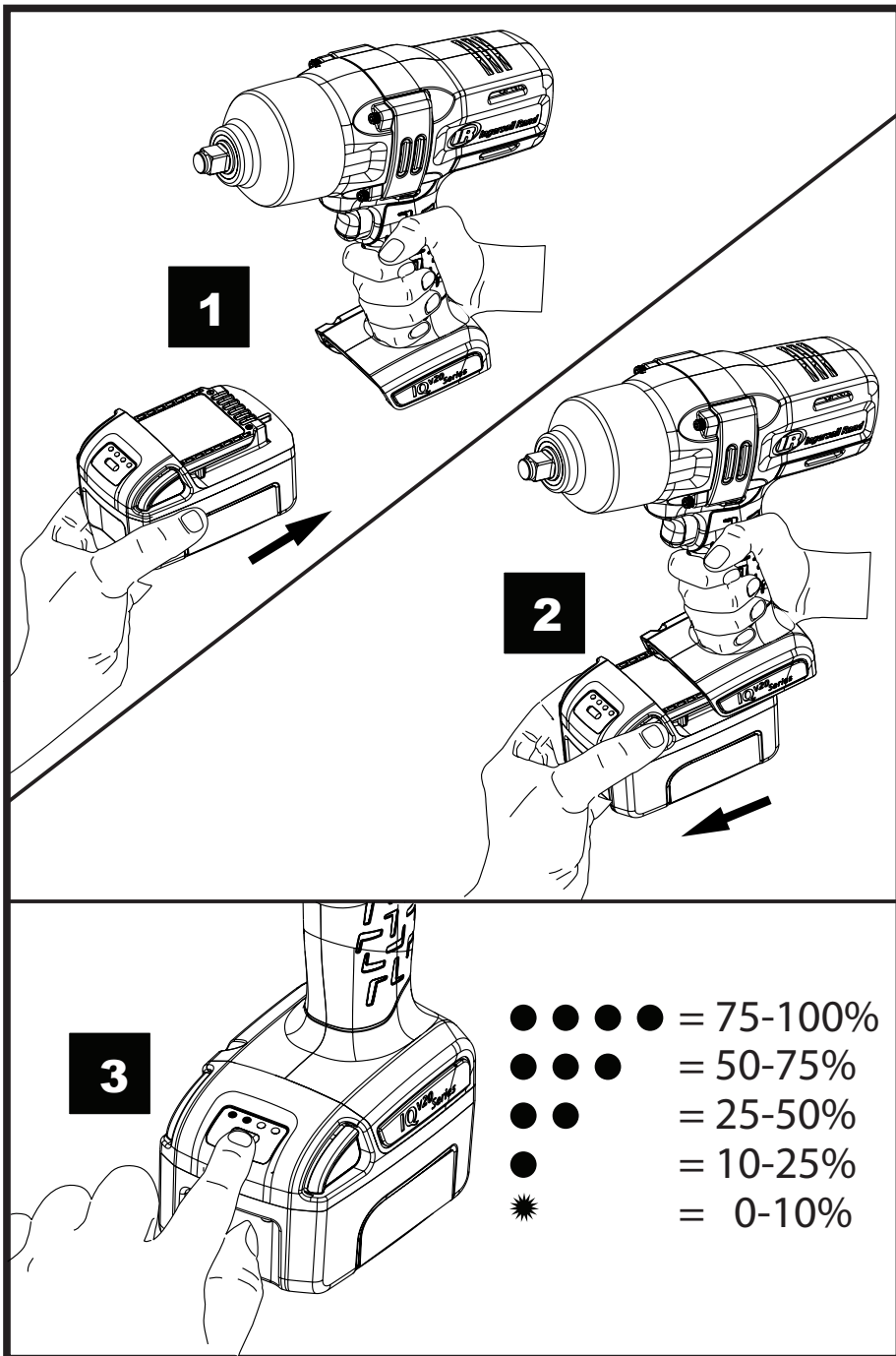
- Chave de Impacto Sem Fios IQ^{V20}
- Bateria IQ^{V20}
- Carregador de baterias IQ^{V20}

Product Information

- **EN** Product Information
- **ES** Especificaciones del producto
- **FR** Spécifications du produit
- **PT** Especificações do Produto



Save These Instructions



Product Information: Cordless Impact Wrench

Product Safety Information

Intended Use:

These Cordless Impact Wrenches are designed to remove and install threaded fasteners.



- **Warning!** Read all safety warnings and all instructions. Failure to follow the warnings and instructions may result in electric shock, fire and/or serious injury. Save all warnings and instructions for future reference.
- **Responsibly recycle or dispose of Batteries.** Do not puncture or burn batteries. Improper disposal may endanger the environment or cause personal injury.
- **Only use Tools with appropriate voltage Ingersoll Rand batteries and Charger.** Use of any other batteries may create a risk of fire, personal injury or property damage.

For additional information, refer to **Cordless Impact Wrench Safety Manual Form 04581146, Battery Charger Safety Information Manual Form 10567832 and Battery Safety Information Manual Form 10567840.**

Manuals can be downloaded from ingersollrandproducts.com.

Product Specifications

Tool Model	Voltage V, DC	Battery Model	Drive		Impacts per Minute bpm	No Load Speed rpm	Recommended Torque Range ft-lbs (Nm)	Max. Torque ft-lbs (Nm)
			Type	Size				
W5111	20	BL2005	Quick Change Hex	1/4"	2800	1900	25-120 (35-160)	160 (215)
		BL2010	Quick Change Hex	1/4"	2800	1900	25-130 (35-175)	175 (240)
W5131P	20	BL2005	Square (Pin Retainer)	3/8"	2800	1900	25-120 (35-160)	160 (215)
		BL2010	Square (Pin Retainer)	3/8"	2800	1900	25-130 (35-175)	175 (240)
W5151P	20	BL2005	Square (Pin Retainer)	1/2"	2800	1900	25-120 (35-160)	160 (215)
		BL2010	Square (Pin Retainer)	1/2"	2800	1900	25-130 (35-175)	175 (240)

Tool Model	Battery Model	Sound level dB (A) (EN60745)		Vibration (m/s ²) (EN60745)	
		† Pressure (L _p)	‡ Power (L _w)	Level	*K
W5111	BL2005	86	97	4.7	1.2
	BL2010	86	97	6.9	1.8
W5131P	BL2005	86	97	4.7	1.2
	BL2010	86	97	6.9	1.8
W5151P	BL2005	86	97	4.7	1.2
	BL2010	86	97	6.9	1.8

† K_{PA} = 3dB measurement uncertainty

‡ K_{WA} = 3dB measurement uncertainty

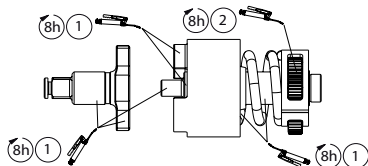
* K = Vibration measurement uncertainty

Conforms to UL STD. 60745-1 & 60745-2-2.

Certified to CSA STD. C22.2 No. 60745-1 & 60745-2-2.

Lubrication

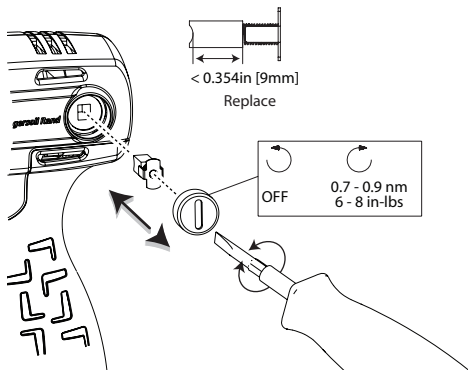
Remove hammer case to apply lubrication on the anvil, impact mechanism assembly and gears. Apply grease evenly and sparingly. An excessive accumulation of grease will result in sluggish operation. See drawing 48380273 and table below. Maintenance frequency is shown in a circular arrow and defined as h=hours, d=days, and m=months of actual use.



(Dwg. 48380273)

1	2
IR#	IR#
105	67

Brush Replacement



(Dwg. 48623813)

Reduced performance, intermittent operation, or no operation are signs of worn brushes.

To check the condition of the brushes remove the battery pack from the tool. Unscrew the brush caps and remove the brushes by lifting on the metal tab. Note the orientation of the brush when it is removed, if re-installing, it should be inserted in the same orientation. It is normal for the brushes to wear at different rates. If either brush is below the specified length in the diagram, replace both brushes to maintain peak performance.

Reinstall brush caps and tighten to proper torque.

Parts and Maintenance

Tool repair and maintenance should only be carried out by an authorized Service Center.

Refer all communications to the nearest **Ingersoll Rand** Office or Distributor.

Product Information: Battery

Product Safety Information

Intended Use:

These batteries are used as the power source for **Ingersoll Rand** Cordless Products.

WARNING

- **Warning! Read all safety warnings and all instructions.** Failure to follow the warnings and instructions may result in electric shock, fire and/or serious injury.
- **Save all warnings and instructions for future reference.**
- **Responsibly recycle or dispose of Batteries.** Do not puncture or burn Batteries. Improper disposal may endanger the environment or cause personal injury.

For additional information, refer to **Battery Safety Information Manual Form 10567840**.

Manuals can be downloaded from ingersollrandproducts.com

Product Specifications

Models	Chemistry	Voltage (V)	Capacity (Ah)	Weight (lbs (kg))
BL2005	Lithium Ion	20	1.5	0.908 (0.412)
BL2012	Lithium Ion	20	2.5	0.935 (0.424)
BL2010	Lithium Ion	20	3.0	1.555 (0.704)
BL2022	Lithium Ion	20	5.0	1.595 (0.724)

Operating Temperatures

Rechargeable batteries give their best performance when they are operated at a normal room temperature of 59°F to 77°F (15°C to 25°C). An excessively hot or cold battery may prevent or interrupt the battery from being charged or discharged.

Parts and Maintenance

Labels are the only User Replaceable Parts.

Models	Warning Labels
BL2005	BL20-99
BL2012	BL20-99-3
BL2010	BL20-99-2
BL2022	BL20-99-4

Refer all communications to the nearest **Ingersoll Rand** Office or Distributor.

Product Information: Battery Charger

Product Safety Information



Important safety instructions - Save these instructions.



To reduce the risk of fire or electric shock, carefully follow these instructions.

Intended Use:

This Battery Charger is designed for charging **Ingersoll Rand** batteries only.



- **Only use Ingersoll Rand charger with Ingersoll Rand IQ^{V20} Series Li-Ion batteries.** Use of other batteries or chargers may create a risk of fire or may cause battery to burst when charging. Personal injury or property damage may result.
- **Charger is not user serviceable. Repair should only be carried out by an Ingersoll Rand Authorized Service Center.** User service may result in electric shock, fire and/or serious personal injury.
- **The BC1120 is a Class A product. In a residential, commercial or light industrial environment it may cause radio interference.** This product is not intended to be installed in a residential environment; in a commercial and light industrial environment with connection to the public mains supply, the user may be required to take measures to reduce interference.
- **This product is not intended to be used by travelers.**

For additional information, refer to Battery Charger Safety Information Manual Form 10567832 and Battery Safety Information Manual Form 10567840.

Manuals can be downloaded from ingersollrandproducts.com.

Product Specifications

Model	Input	Output	Battery			
			Model Number	Voltage	Rated Capacity	Type
BC1120 BC1121	100-240V AC ~ 50/60Hz, 100W, 160-215VA	21V DC (BC1120), 12.6V/21V DC (BC1121), 4.0A USB Type A, 5V DC, 500mA D+/D- Connected, 200Ω	BL2005	20V	1.5 Ah	Li-Ion
			BL2012	20V	2.5 Ah	Li-Ion
			BL2010	20V	3.0 Ah	Li-Ion
			BL2022	20V	5.0 Ah	Li-Ion

Instructions for Charging Battery

The charger shall be installed near a socket-outlet that is easily accessible.

Do not charge battery pack when temperature is below 32°F (0°C) or above 113°F (45°C). Completely charge new battery packs before using. Charging time is approximately 60-90 minutes.

Unplug charger and remove battery pack when not in use.

Action	Condition	Charger Display		Alarm (Sound)	Fuel Gauge
		Green	Red		
Plug charger into 100-240V AC power outlet.	Power On (Stand-By).	●	○	-	○○○○
Insert battery pack into charger.	Charging. Fuel gauge will indicate state of charge.	●	○	-	*○○○ ↘
	Communications Failure. Battery Identification / Read Fault Reinsert battery. Battery may be defective.	○	●	Low ♪	○○○○
	Initial Temperature. Charging paused until battery has returned to safe temperature.	○	2 x *	Low ♪	○○○○
	Time Out. Charge time exceeded. Battery may be defective.	○	3 x *	Low ♪	○○○○
	In Cycle Temperature. Charging paused until battery has returned to safe temperature.	○	4 x *	Low ♪	○○○○
	Over Voltage. High voltage detected. Battery may be defective.	○	5 x *	Low ♪	○○○○
	Over Current. High current detected. Battery may be defective.	○	6 x *	Low ♪	○○○○
	Remove battery pack.	Charge Completed.	●	○	High ♪♪♪

Legend: * Flash ● On ○ Off

Routine Maintenance

Unplug charger before cleaning. Plastic surfaces should only be cleaned with a slightly damp cloth. Keep vents free of dust and debris. Charger should not be used with a damaged cord. Replacement cords and labels are available at nearest authorized **Ingersoll Rand** Service Center.

Refer all communications to nearest **Ingersoll Rand** Office or Distributor.

Environmental Protection

When life of **Ingersoll Rand** electrical product has expired, it must be recycled in accordance with all applicable standards and regulations (local, state, country, federal, etc.). Improper disposal may endanger environment.

Symbol Identification



Return waste material for recycling.



Do not dispose of this product with household waste material.



Product contains Lithium-Ion.
Do not dispose of this product with household waste material.

Original instructions are in English. Other languages are a translation of the original instructions.

Especificaciones del producto: Aprietatuercas de percusión inalámbrico

Información de Seguridad Sobre el Producto

Uso indicado:

Estos aprietatuercas de percusión inalámbricos están diseñados para extraer e instalar elementos de fijación roscados.

⚠ ADVERTENCIA

- **Advertencia!** Lea todos los avisos de seguridad e instrucciones. No respetar los avisos e instrucciones puede resultar en descarga eléctrica, incendio o daños graves. Guarde todos los avisos e instrucciones para su futura consulta.
- **Recicle o deshágase de las baterías de manera responsable.** No perforo ni queme las baterías. La eliminación inadecuada de las pilas puede poner en peligro el medio ambiente o provocar lesiones corporales.
- **Utilice sólo herramientas con baterías y cargadores Ingersoll Rand de la tensión apropiada.** El uso de otras baterías puede provocar incendios, lesiones corporales o daños materiales.

Para obtener más información, consulte el formulario 04581146 del manual de seguridad de producto del aprietatuercas de percusión inalámbrico, el formulario 10567832 del manual de información de seguridad del cargador de baterías y el formulario 10567840 del manual de información de seguridad de la batería.

Los manuales pueden descargarse desde ingersollrandproducts.com.

Especificaciones del producto

Modelo de la herramienta	Tensión V, CC	Modelo de la batería	Accionamiento		Impactos por minuto ipm	Velocidad en vacío rpm	Intervalo de par recomendado ft-lb (Nm)	Par máximo ft-lb (Nm)
			Tipo	Tamaño				
W5111	20	BL2005	Hexágono de cambio rápido	1/4"	2800	1900	25-120 (35-160)	160 (215)
		BL2010	Hexágono de cambio rápido	1/4"	2800	1900	25-130 (35-175)	175 (240)
W5131P	20	BL2005	Cuadrado (pasador de retención)	3/8"	2800	1900	25-120 (35-160)	160 (215)
		BL2010	Cuadrado (pasador de retención)	3/8"	2800	1900	25-130 (35-175)	175 (240)
W5151P	20	BL2005	Cuadrado (pasador de retención)	1/2"	2800	1900	25-120 (35-160)	160 (215)
		BL2010	Cuadrado (pasador de retención)	1/2"	2800	1900	25-130 (35-175)	175 (240)

Modelo de la herramienta	Modelo de la batería	Potencia sonora dB(A) (EN60745)		Vibración (m/s ²) (EN60745)	
		† Presión (L _p)	‡ Potencia (L _w)	Nivel	*K
W5111	BL2005	86	97	4.7	1.2
	BL2010	86	97	6.9	1.8
W5131P	BL2005	86	97	4.7	1.2
	BL2010	86	97	6.9	1.8
W5151P	BL2005	86	97	4.7	1.2
	BL2010	86	97	6.9	1.8

† K = 3dB de error

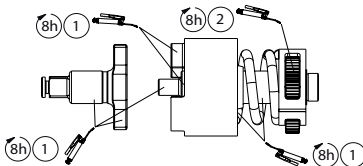
‡ K_{WA} = 3dB de error

* K = de error (Vibración)

Cumple con UL STD. 60745-1 & 60745-2-2.
Certificado CSA STD. C22.2 N° 60745-1 & 60745-2-2.

Lubricación

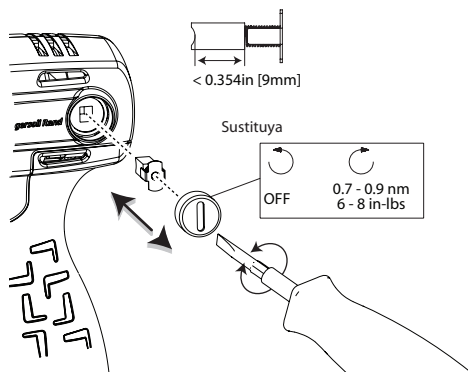
Retire la carcasa del martillo para aplicar grasa en el yunque, conjunto de mecanismo de impacto y engranajes. Aplique el lubricante de manera uniforme y moderada. Una acumulación excesiva de lubricante puede provocar que el funcionamiento sea más lento. Vea el dibujo 48380273 y la tabla a continuación. La frecuencia de mantenimiento se muestra dentro de una flecha circular y se define como h = horas, d = días y m = meses de uso real.



(Dwg. 48380273)

①	②
IR#	IR#
105	67

Reemplazo de la escobilla



(Dwg. 48623813)

Un menor rendimiento, un funcionamiento intermitente o la falta de funcionamiento son signos de escobillas desgastadas.

Para verificar la condición de las escobillas, retire el paquete de batería de la herramienta. Desatornille las cubiertas de las escobillas y retire las escobillas levantando por la pestaña de metal. Observe la orientación de la escobilla al retirarla, si la vuelve a colocar, se debe insertar en la misma orientación. Es normal que las escobillas se desgasten a una frecuencia diferente. Si una escobilla se encuentra por debajo de la longitud especificada en el diagrama, reemplace ambas escobillas para mantener el rendimiento pico.

Vuelva a colocar la cubierta de la escobilla y ajuste al par de torsión correcto.

Piezas y Mantenimiento

Las labores de reparación y mantenimiento de las herramientas sólo se pueden realizar en un centro de servicio autorizado.

Remita todas las comunicaciones a la oficina o distribuidor de **Ingersoll Rand** más cercano.

Especificaciones del producto: Batería

Información de Seguridad Sobre el Producto

Uso indicado:

Estas baterías se utilizan como fuente de alimentación para los productos inalámbricos de **Ingersoll Rand**.

⚠ ADVERTENCIA

- **Aviso! Lea todos los avisos de seguridad e instrucciones. No respetar los avisos e instruccines puede resultar en descarga eléctrica, incendio o daños graves.**
- **Guarde todos los avisos e instrucciones para su futura consulta.**
- **Recicle o deshágase de las baterías de manera responsable.** No perfor ni queme las baterías. La eliminación inadecuada de las pilas puede poner en peligro el medio ambiente o provocar lesiones corporales.

Para obtener más información, consulte el formulario 10567840 del manual de información de seguridad de las baterías.

Los manuales pueden descargarse desde ingersollrandproducts.com

Especificaciones del Producto

Modelos	Composición química	Voltaje (V)	Capacidad (Ah)	Peso (lb (kg))
BL2005	Ion de litio	20	1.5	0.908 (0.412)
BL2012	Ion de litio	20	2.5	0.935 (0.424)
BL2010	Ion de litio	20	3.0	1.555 (0.704)
BL2022	Ion de litio	20	5.0	1.595 (0.724)

Temperaturas de funcionamiento

Las baterías recargables brindan su mejor rendimiento cuando funcionan con temperatura ambiente normal de 59 °F a 77 °F (15 °C a 25 °C). Una batería excesivamente caliente o fría puede impedir o interrumpir su carga o descarga.

Piezas y mantenimiento

Las etiquetas son las únicas piezas sustituibles por el usuario.

Modelos	Etiquetas de advertencia
BL2005	BL20-99
BL2012	BL20-99-3
BL2010	BL20-99-2
BL2022	BL20-99-4

Remita todas las comunicaciones a la oficina o distribuidor de **Ingersoll Rand** más cercano.

Especificaciones del producto: Cargador de la Batería

Información de Seguridad Sobre el Producto

ADVERTENCIA

Instrucciones importantes de seguridad - Guarde estas instrucciones.

PELIGRO

Para reducir el riesgo de incendio o cortocircuito eléctrico, siga con atención estas instrucciones.

Uso indicado:

Este cargador de baterías está diseñado para cargar las baterías de **Ingersoll Rand** solamente.

ADVERTENCIA

- **Utilice solo el cargador de Ingersoll Rand con baterías de ion-litio IQ²⁰ de Ingersoll Rand.** La utilización de otras baterías o cargadores podría provocar un incendio o la explosión de la batería mientras se carga. Podría causar lesiones corporales o daños materiales.
- **No hay elementos del cargador que el usuario pueda reparar. La reparación sólo puede llevarla a cabo un centro de servicio autorizado de Ingersoll Rand.** La reparación por parte del usuario podría provocar descargas eléctricas, incendios y lesiones corporales graves.
- **El BC1120 es un producto de clase A. En un entorno residencial, comercial o de industria ligera puede provocar radiointerferencias.** Este producto no debe instalarse en un entorno residencial; en entornos comerciales y de industria ligera con conexión a la red eléctrica pública, puede que el usuario tenga que tomar medidas para reducir las interferencias
- **Este producto no está previsto para ser utilizado por personas de viaje.**

Para obtener información adicional, consulte el formulario 10567832 del manual de información de seguridad del cargador de baterías o el formulario 10567840 del manual de información de seguridad de la batería.

Los manuales pueden descargarse desde ingersollrandproducts.com.

Especificaciones del producto

Modelo	Entrada	Salida	Batería			
			Número de modelo	Voltaje	Capacidad nominal	Tipo
BC1120 BC1121	100-240V AC ~ 50/60Hz, 100W, 160-215VA	21V DC (BC1120), 12.6V/21V DC (BC1121), 4.0A USB Type A, 5V DC, 500mA Conexion bornes D+ / D-, 200 Ω	BL2005	20V	1.5 Ah	Li-Ion
			BL2012	20V	2.5 Ah	Li-Ion
			BL2010	20V	3.0 Ah	Li-Ion
			BL2022	20V	5.0 Ah	Li-Ion

Instrucciones para cargar la batería

Debe instalarse el cargador cerca de un enchufe fácilmente accesible.

No cargue la batería cuando la temperatura sea inferior a 32 °F (0 °C) o superior a 113°F (45°C).

Cargue por completo las baterías nuevas antes de utilizarlas.

El tiempo de carga es de aproximadamente 60 minutos.

Cuando no lo vaya a utilizar, desconecte el cargador y retire la batería.

Acción	Estado	Indicadores del cargador		Alarma (sonido)	Indicador de nivel de carga
		Verde	Rojo		
Conecte el cargador a una toma de 100-240 V CA.	Encendido (posición de espera)	●	○	-	○○○○
Inserte el paquete de la batería en el cargador.	Cargando El indicador marca el nivel de carga	●	○	-	*○○○ ▬
	Error de comunicación Identificación de la batería /Leer defecto, reinsertar batería. Puede que la batería esté dañada.	○	●	Baja ♪	○○○○
	Temperatura inicial Carga detenida hasta que la batería se enfríe a una temperatura segura.	○	2 x *	Baja ♪	○○○○
	Expiración del tiempo Se ha excedido el tiempo de carga. Puede que la batería esté dañada.	○	3 x *	Baja ♪	○○○○
	Temperatura en ciclo Carga detenida hasta que la batería se enfríe a una temperatura segura.	○	4 x *	Baja ♪	○○○○
	Sobretensión Se ha detectado una tensión alta. Puede que la batería esté dañada.	○	5 x *	Baja ♪	○○○○
	Sobrecorriente Se ha detectado una corriente alta. Puede que la batería esté dañada.	○	6 x *	Baja ♪	○○○○
Extraiga las baterías.	Carga finalizada	●	○	Alta ♪♪♪	●●●●

Leyenda: * Intermitente ● Encendido ○ Apagado

Mantenimiento periódico

Desconecte el cargador antes de limpiarlo. Las superficies de plástico sólo pueden limpiarse con un paño ligeramente húmedo. Mantenga las salidas de ventilación limpias de polvo y suciedad.

No utilice el cargador si el cable está dañado. Las etiquetas y cuerdas de recambio están disponibles en el **Ingersoll Rand Service Center** autorizado más cercano.

Remita todas las comunicaciones a la oficina o distribuidor de **Ingersoll Rand** más cercano.

Protección del medio ambiente

Cuando haya finalizado la vida útil del producto de **Ingersoll Rand**, deberá reciclarlo según las normas y reglamentos vigentes (locales, estatales, nacionales, federales, etc.). La eliminación inadecuada de las baterías puede poner en peligro el medio ambiente.

Identificación de símbolos



Recicle este producto.



No se deshaga de este producto de la forma habitual.



Este producto contiene litio-ion
No se deshaga de este producto de la forma habitual.

Las instrucciones originales están en inglés. Las demás versiones son una traducción de las instrucciones originales.

Spécifications du produit: Clé à chocs sans fil

Consignes de sécurité du produit

Utilisation prévue :

Ces clés à chocs sans fil sont conçues pour le vissage/dé vissage de dispositifs de fixation filetés.

AVERTISSEMENT

- **Avertissement!** Lire tous les avertissements relatifs à la sécurité ainsi que la totalité des instructions. Ne pas suivre les avertissements et instructions peut entraîner la survenue d'un choc électrique, d'un incendie et/ou de blessures graves. Conserver la totalité des avertissements et instructions fournis pour d'éventuelles consultations ultérieures.
- **Recyclez ou éliminez les piles en respectant l'environnement.** Ne pas perforer ou brûler les piles. Une élimination incorrecte des piles peut nuire à l'environnement ou causer des blessures.
- **N'utilisez les outils qu'avec des piles et chargeurs Ingersoll Rand de tension appropriée.** L'utilisation d'autres piles peut constituer un risque d'incendie, de blessure ou de dégâts matériels.

Pour plus d'informations, consultez le formulaire 04581146 du manuel de sécurité des clés à chocs sans fil, le formulaire 10567832 du manuel Informations de sécurité du chargeur de batteries, le formulaire 10567840 du manuel Informations de sécurité des piles. Les manuels peuvent être téléchargés sur le site ingersollrandproducts.com.

Spécifications du produit

Modèle d'outil	Tension	Modèle de batterie	Entraînement		Impacts par minute	Vitesse à vide	Plage de couples recommandée	Couple max.
	V, CC		Type	Taille				
W5111	20	BL2005	Tête hexagonale à changement rapide	1/4"	2800	1900	25-120 (35-160)	160 (215)
		BL2010	Tête hexagonale à changement rapide	1/4"	2800	1900	25-130 (35-175)	175 (240)
W5131P	20	BL2005	Carré (fixe-goupille)	3/8"	2800	1900	25-120 (35-160)	160 (215)
		BL2010	Carré (fixe-goupille)	3/8"	2800	1900	25-130 (35-175)	175 (240)
W5151P	20	BL2005	Carré (fixe-goupille)	1/2"	2800	1900	25-120 (35-160)	160 (215)
		BL2010	Carré (fixe-goupille)	1/2"	2800	1900	25-130 (35-175)	175 (240)

Modèle d'outil	Modèle de batterie	Niveau sonore dB (A) (EN60745)		Vibration (m/s ²) (EN60745)	
		† Pression (L _p)	‡ Puissance (L _w)	Niveau	*K
W5111	BL2005	86	97	4.7	1.2
	BL2010	86	97	6.9	1.8
W5131P	BL2005	86	97	4.7	1.2
	BL2010	86	97	6.9	1.8
W5151P	BL2005	86	97	4.7	1.2
	BL2010	86	97	6.9	1.8

† K_{DA} = incertitude de mesure de 3 dB

‡ K_{WA} = incertitude de mesure de 3 dB

* K = incertitude de mesure (Vibration)

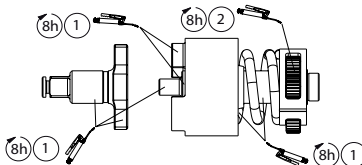
Conforme à UL STD. 60745-1 & 60745-2-2.

Conforme à CSA STD. C22.2 No 60745-1 & 60745-2-2.

Lubrification

Déposer le boîtier du marteau pour lubrifier l'enclume, le mécanisme d'impact et les pignons.

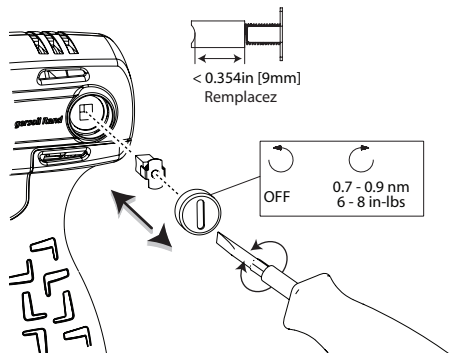
Graissez régulièrement et modérément. Un surplus de graisse ralentira le fonctionnement de l'outil. Voir le schéma 48380273 et le tableau ci-dessous. La fréquence des opérations d'entretien est indiquée dans la flèche circulaire et est définie en h=heures, d=jours, et m=mois de fonctionnement.



(Dwg. 48380273)

1	2
IR#	IR#
105	67

Remplacement du balai



(Dwg. 48623813)

Une performance réduite, un fonctionnement intermittent ou l'arrêt de la machine indiquent que les balais sont usagés.

Pour vérifier l'état des balais, retirez la batterie de l'outil. Dévissez les couvercles des balais et retirez les balais en soulevant l'onglet métallique. Observez l'orientation du balai lors du retrait, car, en cas de remise en place, celui-ci devra être inséré dans la même position. Il est normal que les balais s'usent à un rythme différent. Si l'un des balais se situe au-dessous de la longueur spécifiée dans le diagramme, remplacez les deux balais pour maintenir une performance de pointe.

Réinstallez les couvercles des balais et serrez en respectant les couples de serrage.

Pièces détachées et maintenance

Seul un centre de service agréé peut effectuer la réparation et la maintenance des outils.

Transmettez toutes vos communications au bureau ou au distributeur **Ingersoll Rand** le plus proche.

Spécifications du produit: Batterie

Consignes de sécurité du produit

Utilisation prévue :

Ces piles sont utilisées comme source d'alimentation pour les produits sans fil **Ingersoll Rand**.

AVERTISSEMENT

- **Avertissement! Lire tous les avertissements relatifs à la sécurité ainsi que la totalité des instructions. Ne pas suivre les avertissements et instructions peut entraîner la survenue d'un choc électrique, d'un incendie et/ou de blessures graves.**
- **Conserver la totalité des avertissements et instructions fournis pour d'éventuelles consultations ultérieures.**
- **Recyclez ou éliminez les piles en respectant l'environnement. Ne pas perforer ou brûler les piles. Une élimination incorrecte des piles peut nuire à l'environnement ou causer des blessures.**

Pour plus d'informations, consultez le formulaire 10567840 du manuel Informations de sécurité des piles.

Les manuels peuvent être téléchargés sur le site ingersollrandproducts.com

Spécifications du Produit

Modèles	Chimie	Tension (Volts)	Capacité (Ah)	Poids (kg (lb))
BL2005	Lithium ion	20	1.5	0.908 (0.412)
BL2012	Lithium ion	20	2.5	0.935 (0.424)
BL2010	Lithium ion	20	3.0	1.555 (0.704)
BL2022	Lithium ion	20	5.0	1.595 (0.724)

Plage de température de fonctionnement

Les batteries atteignent leur maximum de rendement lorsqu'elles fonctionnent à température ambiante d'intérieur comprise entre 15 °C et 25 °C (59 °F à 77 °F). Si la batterie est trop chaude ou trop froide, elle peut avoir du mal à ou arrêter de se charger ou se décharger.

Pièces détachées et maintenance

Les étiquettes sont les seules pièces que l'utilisateur peut remplacer.

Modèles	Étiquettes d'avertissement
BL2005	BL20-99
BL2012	BL20-99-3
BL2010	BL20-99-2
BL2022	BL20-99-4

Transmettez toutes vos communications au bureau ou au distributeur **Ingersoll Rand** le plus proche.

Spécifications du produit: Chargeur de batteries

Consignes de sécurité du produit


AVERTISSEMENT

Consignes de sécurité importantes – Conserver ces instructions.


DANGER

Pour réduire les risques d'incendie ou de choc électrique, respecter les instructions suivantes.

Utilisation prévue :

TCe chargeur de piles est conçu pour recharger uniquement des piles Ingersoll Rand.


AVERTISSEMENT

- **Utiliser uniquement un chargeur Ingersoll Rand pour recharger les piles lithium-ion série IQ²⁰ de Ingersoll Rand.** Des risques d'incendie ou d'explosion lors du chargement de la batterie peuvent survenir si vous utilisez d'autres piles ou chargeurs. Cela peut aussi provoquer des blessures ou des dommages matériels.
 - **Ce chargeur n'est pas réparable par l'utilisateur. Toute réparation doit être effectuée par un centre agréé Ingersoll Rand.** Une réparation effectuée par l'utilisateur peut provoquer un choc électrique, un incendie et / ou des blessures graves.
 - **Le BC1120 est un produit de classe A. Dans un environnement résidentiel, commercial ou de l'industrie légère, il risque de provoquer des interférences radio.** Ce produit n'est pas prévu pour être installé dans un environnement résidentiel ; dans un environnement commercial et de l'industrie légère avec liaison au réseau d'alimentation public, l'utilisateur devra peut être prendre des mesures pour réduire les interférences.
 - **Ce produit n'est pas prévu pour être utilisé en cours de voyage.**
- Pour plus d'informations, consultez le formulaire 10567840 du manuel Informations de sécurité des piles et le formulaire 10567832 du manuel Informations de sécurité des chargeurs de piles.

Les manuels peuvent être téléchargés sur le site ingersollrandproducts.com

Spécifications du produit

Modèle	Apport	Sortie	Batterie			
			Numéro du modèle	Voltage	Capacité nominale	Type
BC1120 BC1121	100-240V AC ~ 50/60Hz, 100W, 160-215VA	21V DC (BC1120), 12,6V/21V DC (BC1121), 4,0A USB Type A, 5V DC, 500mA D+/D- Connected, 200Ω	BL2005	20V	1.5 Ah	Li-Ion
			BL2012	20V	2.5 Ah	Li-Ion
			BL2010	20V	3.0 Ah	Li-Ion
			BL2022	20V	5.0 Ah	Li-Ion

Instructions pour le chargement des piles

Le chargeur devra être installé à proximité d'une prise facile d'accès.

Ne chargez pas le bloc de piles lorsque la température est inférieure à 0°C (32°F) ou supérieure à 45°C (113°F). Chargez complètement les nouveaux blocs de piles avant utilisation. La durée de chargement est d'environ 60-90 minutes.

Débrancher le chargeur et retirer le bloc-piles lorsque l'appareil n'est pas utilisé.

Action	État	Affichage du chargeur		Alarme (Son)	Jauge de niveau
		Vert	Rouge		
Branchez le chargeur à une prise de courant de 100-240 V ca.	Mise sous tension (Veille)	●	○	-	○○○○
Introduire le bloc-piles dans le chargeur.	Chargement La jauge de niveau indiquera l'état de chargement	●	○	-	*○○○ ↘
	Erreur de communication Erreur de lecture / identification de pile, réintroduire la pile. La pile est peut-être défectueuse.	○	●	Bas ♪	○○○○
	Température initiale Interruption de la charge jusqu'à ce que la température de la batterie reprenne sa valeur de sécurité.	○	2 x *	Bas ♪	○○○○
	Expiration du délai Temps de chargement dépassé. Les piles sont peut-être défectueuses.	○	3 x *	Bas ♪	○○○○
	Température en cycle Interruption de la charge jusqu'à ce que la température de la batterie reprenne sa valeur de sécurité.	○	4 x *	Bas ♪	○○○○
	Surtension Surtension détectée. Les piles sont peut-être défectueuses.	○	5 x *	Bas ♪	○○○○
Retirez le bloc de piles.	Surintensité Surintensité détectée. Les piles sont peut-être défectueuses.	○	6 x *	Bas ♪	○○○○
	Chargement terminé	●	○	Haut ♪♪♪	●●●●

Légende : * Clignotant ● Marche ○ Arrêt

Maintenance préventive

Débrancher le chargeur avant de le nettoyer. Nettoyer les surfaces plastiques uniquement à l'aide d'un chiffon légèrement humide. Les aérations doivent toujours être exemptes de poussière et de débris.

N'utilisez pas le chargeur si le câble est endommagé. Pour obtenir un cordon ou une étiquette de remplacement, s'adresser au centre de service agréé **Ingersoll Rand** le plus proche.

Transmettez toutes vos communications au bureau ou au distributeur **Ingersoll Rand** le plus proche.

Protection de l'environnement

Après expiration de la durée de vie du produit électrique **Ingersoll Rand**, ce dernier doit être recyclé conformément à toutes les normes et réglementations en vigueur (locales, nationales, fédérales, européennes etc.). Une mise au rebut incorrecte peut nuire à l'environnement.

Identification des symboles



Retourner les déchets pour recyclage.



Ne pas mettre ce produit au rebut avec les déchets ménagers.



Li-Ion

Ce produit contient du lithium-ion
Ne pas mettre ce produit au rebut avec les déchets ménagers.

Les instructions d'origine sont en anglais. Les autres langues sont une traduction des instructions d'origine.

Especificações do Produto: Chave de Impacto Sem Fios

Informações de Segurança do Produto

Utilização Prevista:

Estas Chaves de Impacto Sem Fios destinam-se à remoção e à instalação de dispositivos de fixação roscados.



- **Aviso!** Leia todos os avisos de segurança e todas as instruções. O não cumprimento dos avisos e das instruções pode resultar em choques eléctricos, incêndios e/ou ferimentos graves. Conserve todos os Avisos e instruções para futura referência.
- **Elimine ou recicle as baterias de forma responsável.** Não perfure nem queime as baterias. Uma eliminação incorrecta pode prejudicar o ambiente ou causar lesões pessoais.
- **Utilize exclusivamente Ferramentas com o carregador de baterias e as baterias da Ingersoll Rand com a tensão adequada.** A utilização de outras baterias pode dar azo a riscos de incêndio, lesões ou danos materiais.

Para obter informações mais detalhadas, consulte o manual com as informações de segurança da Chave de Impacto Sem Fios, com a referência 04581146, o manual com as informações de segurança do Carregador de Baterias, com a referência 10567832, e o manual com as informações de segurança da Bateria, com a referência 10567840.

Podem transferir manuais do seguinte endereço da Internet: ingersollrandproducts.com.

Especificações do Produto

Modelo da ferramenta	Tensão V, CC	Modelo da bateria	Mecanismo de Accionamento		Impactos por Minuto bpm	Velocidade Sem Carga rpm	Intervalo de Binário de Aperto Recomendado pés-libras (N-m)	Binário Máx. pés-libras (N-m)
			Tipo	Tamanho				
W5111	20	BL2005	Hex de Mudança Rápida	1/4"	2800	1900	25-120 (35-160)	160 (215)
		BL2010	Hex de Mudança Rápida	1/4"	2800	1900	25-130 (35-175)	175 (240)
W5131P	20	BL2005	Quadrático (Retentor de Pinos)	3/8"	2800	1900	25-120 (35-160)	160 (215)
		BL2010	Quadrático (Retentor de Pinos)	3/8"	2800	1900	25-130 (35-175)	175 (240)
W5151P	20	BL2005	Quadrático (Retentor de Pinos)	1/2"	2800	1900	25-120 (35-160)	160 (215)
		BL2010	Quadrático (Retentor de Pinos)	1/2"	2800	1900	25-130 (35-175)	175 (240)

Modelo da ferramenta	Modelo da bateria	Nível de Ruído dB (A) (EN60745)		Vibrações (m/s ²) (EN60745)	
		† Pressão (L _p)	‡ Potência (L _w)	Nível	*K
W5111	BL2005	86	97	4.7	1.2
	BL2010	86	97	6.9	1.8
W5131P	BL2005	86	97	4.7	1.2
	BL2010	86	97	6.9	1.8
W5151P	BL2005	86	97	4.7	1.2
	BL2010	86	97	6.9	1.8

† Incerteza de medida K_{PA} = 3 dB

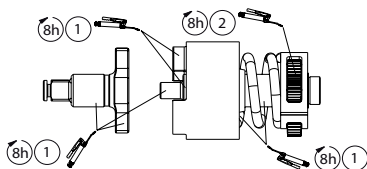
‡ Incerteza de medida K_{WA} = 3 dB

* Incerteza de medida K (Vibrações)

Em conformidade com a UL STD. 60745-1 & 60745-2-2. Certificado para CSA STD. C22.2 Nr. 60745-1 e 60745-2-2.

Lubrificação

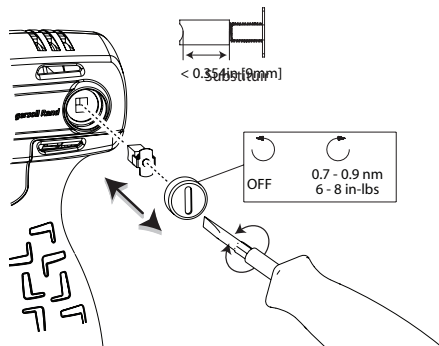
Remover a cobertura do martelo para lubrificar a bigorna, o conjunto do mecanismo de impacto e as engrenagens. Aplique a massa lubrificante de forma uniforme e na quantidade adequada. Uma acumulação excessiva de massa lubrificante dá azo a uma operação mais lenta. Ver o desenho 48380273 e a tabela abaixo. A frequência de manutenção é indicada por uma seta circular e definida como h=horas, d=dias e m=meses de utilização real.



(Dwg. 48380273)

1	2
IR#	IR#
105	67

Substituição Escova



(Dwg. 48623813)

Desempenho reduzido, operação intermitente ou nenhuma operação são sinais de escovas gastas.

Para verificar o estado das escovas, retire a bateria da ferramenta. Desaparafuse as tampas da escovas e retire as mesmas levantando pela aba metálica. Anote a orientação da escova quando é retirada, para quando reinstalar inserir na mesma orientação. É normal que as escovas apresentem desgaste em diferentes gamas. Se alguma das escovas estiver abaixo do comprimento especificado no diagrama, substitua ambas as escovas para manter o desempenho de pico.

Reinstale as tampas da escova e aperte com o binário adequado.

Peças e Manutenção

A reparação e a manutenção da ferramenta só devem ser levadas a cabo por um Centro de Assistência Técnica Autorizado.

Para qualquer assunto, contacte o escritório ou o distribuidor da **Ingersoll Rand** mais próximo.

Especificações do Produto: Bateria

Informações de Segurança do Produto

Utilização Prevista:

Estas baterias são utilizadas como fonte de alimentação para os Produtos Sem Fios **Ingersoll Rand**.



- **Aviso! Leia todos os avisos de segurança e todas as instruções. O não cumprimento dos avisos e das instruções pode resultar em choques eléctricos, incêndios e/ou ferimentos graves.**
- **Conserve todos os Avisos e instruções para futura referência.**
- **Elimine ou recicle as baterias de forma responsável.** Não perfure nem queime as baterias. Uma eliminação incorrecta pode prejudicar o ambiente ou causar lesões pessoais.

Para obter informações mais detalhadas, consulte o manual de informações de segurança da bateria, com a referência 10567840.

Pode transferir manuais do seguinte endereço da Internet: ingersollrandproducts.com

Especificações do Produto

Modelos	Química	Voltagem (Volts)	Capacidade (Ah)	Peso (lbs (kg))
BL2005	ião Lítio	20	1.5	0.908 (0.412)
BL2012	ião Lítio	20	2.5	0.935 (0.424)
BL2010	ião Lítio	20	3.0	1.555 (0.704)
BL2022	ião Lítio	20	5.0	1.595 (0.724)

Temperaturas de Funcionamento

Pilhas recarregáveis têm um melhor desempenho quando são operadas a uma temperatura ambiente normal de 15°C a 25°C. Uma bateria excessivamente quente ou fria pode impedir ou interromper o carregamento da bateria ou descarregá-la.

Peças e Manutenção

As etiquetas são as únicas Peças Substituíveis pelo utilizador.

Modelos	Etiqueta de Advertência
BL2005	BL20-99
BL2012	BL20-99-3
BL2010	BL20-99-2
BL2022	BL20-99-4

Para qualquer assunto, contacte o escritório ou o distribuidor da **Ingersoll Rand** mais próximo.

Especificações do Produto: Carregador de baterias

Informações de Segurança do Produto

AVISO

Instruções de segurança importantes - Guarde estas instruções.

PERIGO

Para reduzir os riscos de incêndio ou de choque eléctrico, cumpra estas instruções com cuidado.

Utilização Prevista:

Este Carregador de Baterias foi concebido para o carregamento de baterias da **Ingersoll Rand**.

AVISO

- Use apenas carregadores Ingersoll Rand com baterias Ingersoll Rand da Série Li-Ion IQ²⁰. A utilização de outras baterias ou de outros carregadores pode dar azo a risco de incêndio ou pode provocar o rebentamento da bateria quando está a ser carregada. Podem ocorrer lesões pessoais ou danos materiais.
- O carregador de baterias não pode ser reparado pelo utilizador. A sua reparação só deve ser levada a cabo por um Centro de Assistência Técnica Autorizado da Ingersoll Rand. Uma reparação efectuada pelo utilizador pode dar origem a choques eléctricos, incêndios e/ou lesões pessoais graves.
- O BC1120 é um produto da classe A. Num ambiente residencial, comercial ou pouco industrial poderá provocar interferências de rádio. Este produto não se destina a ser instalado num ambiente residencial; num ambiente comercial e pouco industrial com ligação eléctrica pública, o utilizador poderá ter de tomar medidas para reduzir a interferência.
- Este produto não está destinado para ser usado por viajantes.

Para obter informações mais detalhadas, consulte o manual com as informações de segurança do Carregador de Baterias, com a referência 10567832 e o manual com as informações de segurança da Bateria, com a referência 10567840.

Podem transferir manuais do seguinte endereço da Internet: ingersollrandproducts.com

Especificações do Produto

Modelo	Entrada	saída	Bateria			
			Número do Modelo	Tensão	Capacidade nominal	Type
BC1120 BC1121	100-240V AC ~ 50/60Hz, 100W, 160-215VA	21V DC (BC1120), 12.6V/21V DC (BC1121), 4.0A USB Type A, 5V DC, 500mA D+ / D- Ligado, 200 Ω	BL2005	20V	1.5 Ah	Li-Ion
			BL2012	20V	2.5 Ah	Li-Ion
			BL2010	20V	3.0 Ah	Li-Ion
			BL2022	20V	5.0 Ah	Li-Ion

Instruções de Carregamento da Bateria

O carregador deve ser instalado próximo de uma tomada que seja facilmente acessível.

Nunca carregue o conjunto de baterias quando a temperatura for inferior a 32°F (0°C) ou superior a 113°F (45°C).

Carregue completamente os conjuntos de baterias novos antes de os utilizar pela primeira vez.

A bateria demora cerca de 60-90 minutos a ficar carregada.

Desligue o carregador e retire a bateria quando não estiverem em uso.

Acção	Condição	Visor do Carregador		Alarme (Som)	Indicador de Carga
		Verde	Vermelho		
Ligue o carregador a uma tomada de 100-240V CA.	Ligado (em stand-by)	●	○	-	○○○○
Inserir o conjunto de bateria no carregador.	A carregar O indicador de carga indica o estado da carga	●	○	-	*○○○ └
	Falha de comunicação Identificação Bateria / Ler a Falha Reinsere a Bateria. A bateria pode estar com defeito.	○	●	Baixo ↓	○○○○
	Temperatura inicial Carregamento interrompido até a bateria ter atingido uma temperatura segura.	○	2 x *	Baixo ↓	○○○○
	Tempo de carregamento esgotado O tempo definido para o carregamento esgotou-se. A bateria pode estar defeituosa.	○	3 x *	Baixo ↓	○○○○
	Temperatura durante o ciclo Carregamento interrompido até a bateria ter atingido uma temperatura segura.	○	4 x *	Baixo ↓	○○○○
	Sobretensão Foi detectada uma tensão alta. A bateria pode estar defeituosa.	○	5 x *	Baixo ↓	○○○○
Remover o conjunto de baterias.	Sobrecorrente Foi detectada uma corrente alta. A bateria pode estar defeituosa.	○	6 x *	Baixo ↓	○○○○
	Carregamento concluído	●	○	Elevado ♪♪♪	●●●●

Legenda: * A piscar ● Aceso ○ Apagado

Manutenção de Rotina

Desligue o carregador antes de limpar. As superfícies plásticas devem ser limpas apenas com um pano ligeiramente húmido. Mantenha as aberturas de ventilação limpas, sem pó nem resíduos.

Se o cabo de alimentação do carregador estiver danificado, o carregador não pode ser utilizado. Cabos e etiquetas de substituição estão disponíveis no Centro de Serviço da **Ingersoll Rand** autorizado, mais próximo.

Para qualquer assunto, contacte o escritório ou o distribuidor da **Ingersoll Rand** mais próximo.

Protecção do Ambiente

Quando a vida útil de um produto eléctrico da **Ingersoll Rand** chega ao fim, ele tem de ser reciclado de acordo com todas as normas e os regulamentos aplicáveis (locais, estaduais, nacionais, federais, etc.). Se a bateria for deitada fora de modo incorrecto pode prejudicar o ambiente.

Identificação dos Símbolos



Devolver para reciclagem.



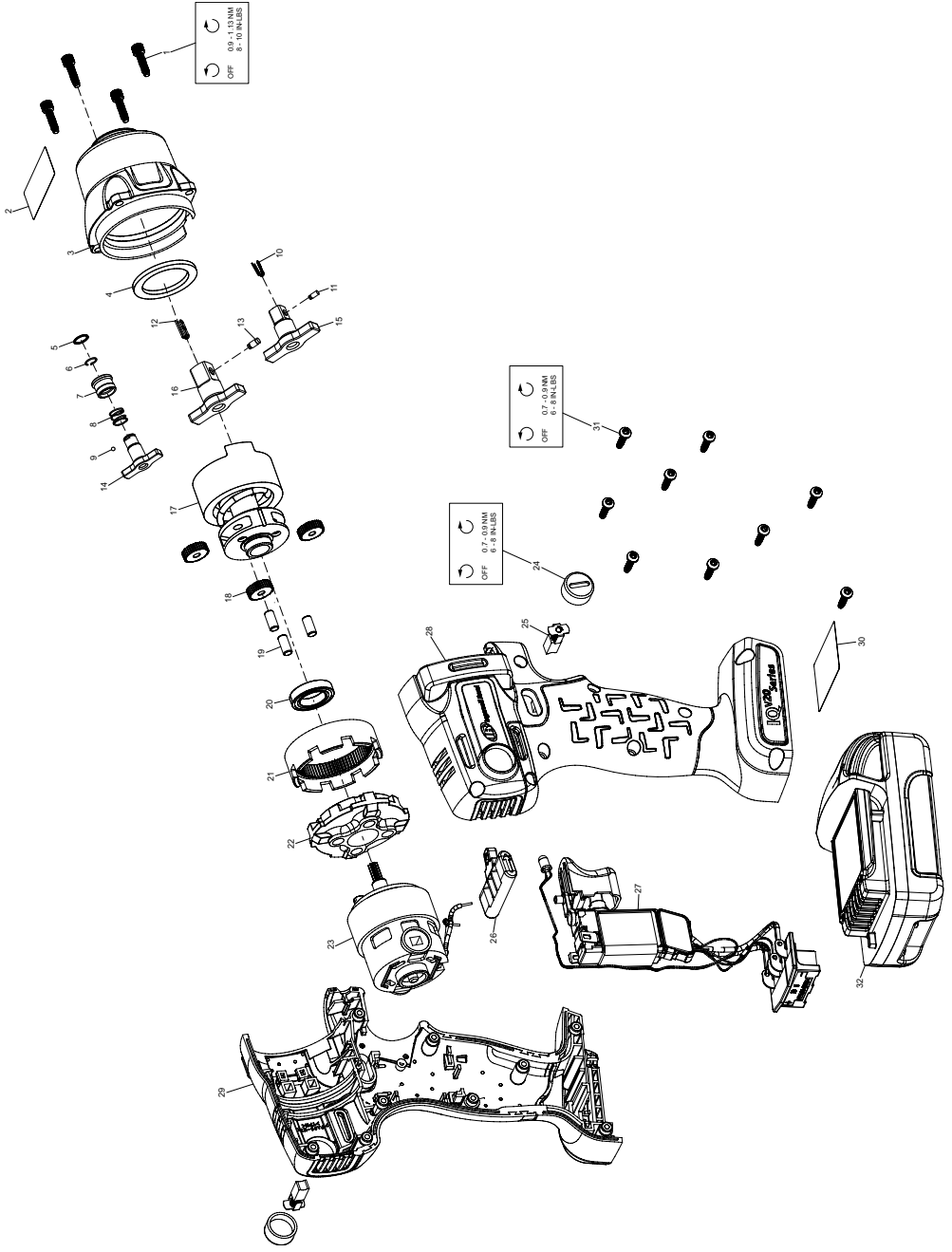
Não juntar este produto ao lixo doméstico.



Este produto contém iões de lítio.
Não juntar este produto ao lixo doméstico.

As instruções originais estão redigidas na língua inglesa. e encontram-se traduzidas noutros idiomas.

W5001 Series Cordless Impact Wrench - Exploded View

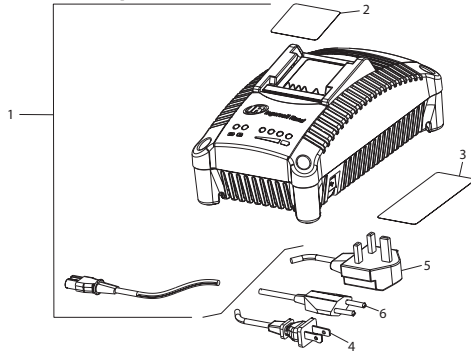


W5001 Series Cordless Impact Wrench - Parts List

Item	Part Description	Part Number	(CCN)	Item	Part Description	Part Number	(CCN)
*	Hammer Case Kit	--	--	23	Electric Motor Kit	W5111-K54	(48626063)
*	For W5111 and W5131P	W5111-K727	(48625776)	24	Cap Kit (2 Included)	W5111-54CK	(47514326001)
*	For W5151P	W5151P-K727	(48625818)	25	Brush Kit (2 Included)	W5111-54BK	(48623813)
1	Screw, Hammer Case (4 Required)	--	--	26	Forward/Reverse Actuator	W7150-K75	(48391312)
2	Warning Label	--	--	27	Trigger & Battery Connector Kit	W5130-K93	(48624829)
3	Hammer Case Assembly	--	--	*	Housing Kit	W5111-K40	(48626071)
4	Nylon Washer	--	--	28	Right Housing	--	--
*	Bit Retainer Kit For W5111, 1/4-in QC Hex	W5111-K425	(47514327001)	29	Left Housing	--	--
5	Washer	--	--	30	Information Label	--	--
6	Snap Ring	--	--	31	Screw, Housing (9 Required)	--	--
7	Bit Sleeve	--	--	*	Fastener Kit	W5130-K105	(48624845)
8	Spring	--	--	1	Screw, Hammer Case (4 Required)	--	--
9	Ball	--	--	31	Screw, Housing (9 Required)	--	--
*	Socket Retainer Kit For W5131P	2115PTi-K425	(80107709)	*	Label Kit	W5111-K99	(48626089)
10	Spring	--	--	2	Warning Label	--	--
11	Socket Retainer	--	--	30	Information Label	--	--
*	Socket Retainer Kit For W5151P	2125PTi-K425	(80107725)	*	Protective Tool Boot	W5111-BOOT	(47499747001)
12	Spring	--	--	*	Grease	--	--
13	Socket Retainer	--	--		IR #105 (1 lb can) for Impact Mechanism and Anvil	105 1 LB	(04279147)
*	Anvil Kit For W5111, 1/4-in QC Hex	W5111-K626	(48626030)		IR #105 (8 lb can) for Impact Mechanism and Anvil	105 8 LB	(04264875)
*	Bit Retainer Kit	--	--		IR #67 (1 lb can) for Gearing	67 1 LB	(03773009)
*	Anvil Kit For W5131P	W5131P-K626	(48626048)		IR #67 (8 lb can) for Gearing	67 8 LB	(03820008)
15	Anvil	--	--		Grease Gun	R000A2-228	(03095015)
10	Spring	--	--	32	20V Li-Ion Battery Pack	--	--
11	Socket Retainer	--	--		1.5 Ah	BL2005	(48386783)
*	Anvil Kit For W5151P	W5151P-K626	(48626055)		2.5Ah	BL2012	(47515903001)
16	Anvil	--	--		3.0 Ah	BL2010	(48386791)
12	O-Ring	--	--		5.0Ah	BL2022	(47515902001)
13	Socket Retainer	--	--	*	Protective Battery Boot	--	--
17	Impact Mechanism Kit	W5111-K724	(47498764001)		For BL2005, BL2012	BL2005-BOOT	(47510965001)
*	Planetary Gear Kit	W5111-K37	(47498318001)		For BL2010, BL2022	BL2010-BOOT	(47510964001)
18	Planet Gear (3 Required)	--	--	*	Battery Charger	BC1121	(47507879001)
19	Pin (3 Required)	--	--	*	Carrying Case	W5000-CASE	(48622104)
20	Bearing, Gear Carrier	--	--	*	Carrying Case Latch	W7000-LATCH	(47507275001)
21	Ring Gear	--	--				
22	Ring Gear Holder	--	--				

* Indicates Not Illustrated.

Battery Charger, BC1120/ BC1121 - Exploded View



(Dwg. 23792617)

Battery Charger, BC1120/ BC1121 - Parts List

Item	Part Description	Part Number	(CCN)
1	Battery Charger Kit (US, Canada and Mexico)	BC1121	(47507879001)
	Battery Charger Kit (EU and UK)	BC1121-EU	(47507874001)
	Battery Charger Kit (China)	BC1121-AP1	(47507868001)
	Battery Charger Kit (India)	BC1121-AP2	(47507869001)
	Battery Charger Kit (Japan)	BC1121-AP3	(47507870001)
	Battery Charger Kit (Australia/New Zealand)	BC1121-AP4	(47507871001)
	Battery Charger Kit (South Korea)	BC1121-AP5	(47507872001)
	Battery Charger Kit (Singapore and Hong Kong)	BC1121-AP6	(47507873001)
	Battery Charger Kit (Argentina)	BC1121-SA1	(47507875001)
	Battery Charger Kit (Brazil)	BC1121-SA2	(47507876001)
	Battery Charger Kit (Chile, Peru)	BC1121-SA3	(47507877001)
2	Label, Warning	BC1121-99	(47516307001)
3	Label, Information	BC1121-300	(47516312001)
	Label, Information (Japan)	BC1121-AP3-300	(47516313001)
	Label, Information (Korea)	BC1121-AP5-300	(47516314001)
	Label, Information (Brazil)	BC1121-SA2-300	(47516315001)
4	Cord (US, Canada and Mexico)	BC10-CORD-US	(80233893)
5	Cord (UK, Sing, HK)	BC10-CORD-UK	(80238256)
6	Cord (EU)	BC10-CORD-EU	(80233919)
* 7	Cord (China)	BC10-CORD-CN	(45522687)
* 8	Cord (India)	BC10-CORD-IN	(45522505)
* 9	Cord (Japan)	BC10-CORD-JP	(45521952)
* 10	Cord (Aus/NZ)	BC10-CORD-ANZ	(45522547)
* 11	Cord (South Korea)	BC1120-CORD-SK	(24080871)
* 12	Cord (Argentina)	BC10-CORD-AG	(45522703)
* 13	Cord (Brazil)	BC10-CORD-BR	(24248924)

* Indicates Not Illustrated.

Parts and Maintenance

When the life of the tool has expired, it is recommended that the tool be disassembled, degreased and parts be separated by material so that they can be recycled.

Tool repair and maintenance should only be carried out by an authorized Service Center.

Refer all communications to the nearest **Ingersoll Rand** Office or Distributor.

ingersollrandproducts.com

© 2015 Ingersoll Rand

