



04584462
Edition 5
August 2014

Air Impact Wrench

2945 and 2950

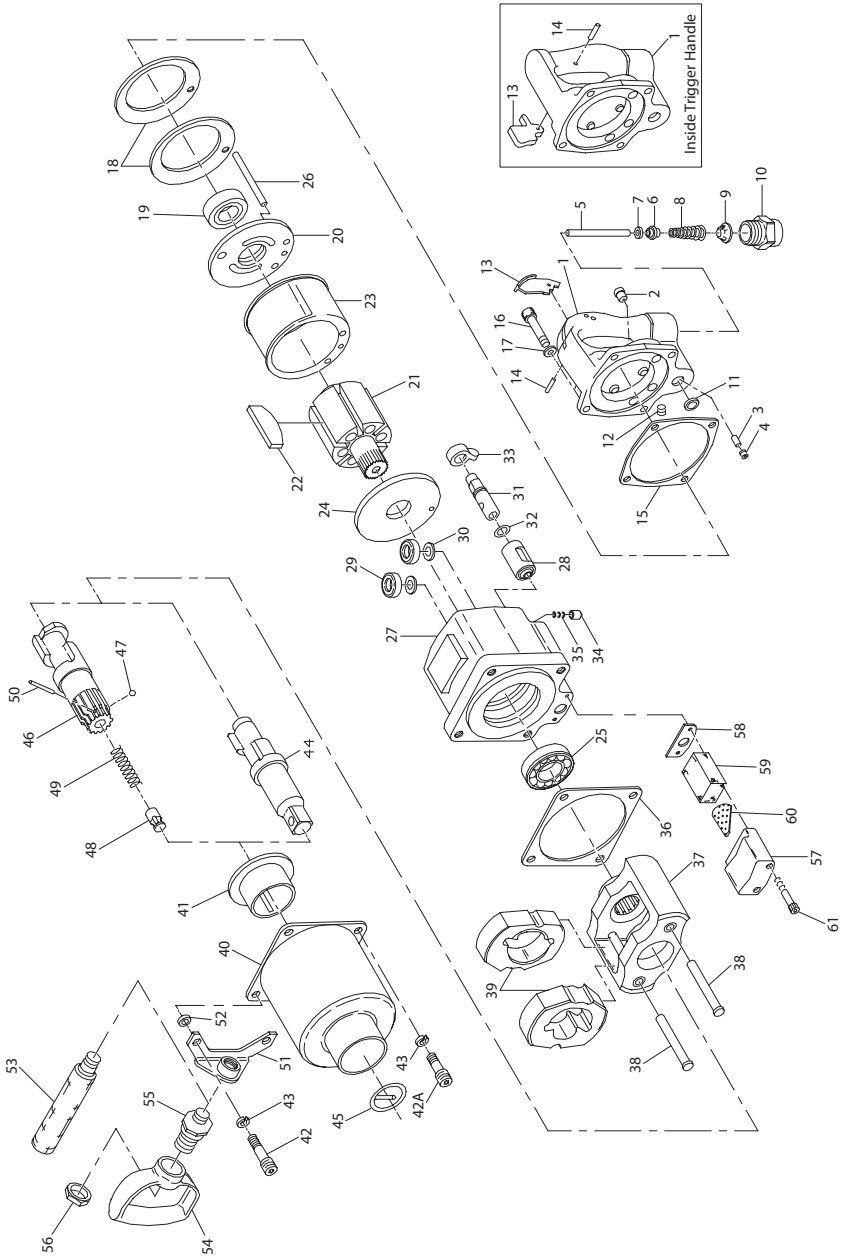
Parts Information



Save These Instructions

 **Ingersoll Rand®**

2945 and 2950 Air Impact Wrench Exploded Diagram



(Dwg. TPA1335)

2945 and 2950 Air Impact Wrench Parts List

Item	Part Description	Part Number	(CCN)	Item	Part Description	Part Number	(CCN)	
1	Throttle Handle Assembly			39	Hammer (2)			
	with Outside Trigger	2950-A1	003473279		for 2945	2945-724	03472743	
	with Inside Trigger	2950-A92	03473204		for 2950	2950-724	03473246	
2	Grease Fitting	1305R-188	03039930	40	Hammer Case Assembly			
† 3	Oilier Felt	R2-75	03136272		for 2945A7, 2945B7 and 2945B1	2945-A627	03472735	
4	Oilier Adjusting Screw	R2-71	03136264		for 2945A7-EU and 2945B7-EU	2945-EU-A627	04348587	
5	Throttle Valve Plunger	2950-302	03472941		for 2950A7 and 2950B7	2950-A727	03473253	
6	Throttle Valve Assembly	2934-A50	03441557		for 2950A7-EU and 2950B7-EU	2950-EU-A727	04348579	
† 7	Throttle Valve Face	2934-159	03480225	++ 41	Hammer Case Bushing	2950-541	03473147	
8	Throttle Valve Spring	834-51	03065687	*	Hammer Case Label			
† 9	Air Strainer Screen	434-61	03063013		for models ending in -EU	EU-99	04346607	
10	Straight Inlet	845-565	03286283		for all other models	WARNING-2-99	04203139	
† 11	Reverse Valve Seal	R00BR-210	03117793	42	Hammer Case Cap Screw (3/8"-16 thread x 1-3/4")			
# 12	Oil Chamber Plug (2)	ROH-377	03117793		Socket Head (Long) (2)	2945-638	03733649	
13	Triggerer			42A	Hammer Case Cap Screw (3/8"-16 x 1-1/2")	844-638	03067659	
	Outside-type	844-78	03067352		Socket Head (Short) (2)			
	Inside-type	834-93A	03679966	43	Lock Washer (4)	845-58	03387867	
14	Trigger Pin			44	1-1/2" Square Drive Anvil			
	for Outside Trigger	F02-15	03025558		for 2945	2945-726	03472719	
	for Inside Trigger	534-265	03055183		for 2950	2950-726	03473162	
† 15	Handle Gasket	850-283	03414513	45	Socket Retaining Ring (for use with 1-1/2" Square Drive Anvil)	RR100205	03809316	
16	Handle Cap Screw (5/16"-18 thread x 1-1/4" long Socket Head) (4)	834-638	03066354		46	Spline Drive Anvil Assembly (No. 5 Spline)		
	Handle Cap Screw Washer (4)	588-140	03059045			for 2945B1	2945-A526A	03875093
18	Motor Clamp Washer (2)	MR-207	03193489	for 2950B1		VW-1030	04194817	
† 19	Rear Rotor Bearing	834-24	03065588	47	Socket Retaining Ball	D04-280	03171006	
20	Rear End Plate	2950-12	03473188	48	Retaining Ball Plunger	845-230	03391018	
21	Rotor			49	Plunger Spring	2940-231	03474103	
	for 2945	2945-53	03472727	50	Plunger Retaining Pin	845-128	03391026	
	for 2950	2950-53	03473196	51	Dead Handle Bracket	845-364	03387479	
† 22	Vane Packet (set of 6 Vanes)			52	Dead Handle Bracket Spacer	845-140	03387461	
	for 2945	2945-42-6	03676616	53	Dead Handle (interchanges with Side Spade Handle Assembly)	834-48	03065661	
	for 2950	2950-42-6	03629896		Side Spade Handle Assembly (interchanges with Dead Handle)			
23	Cylinder			54	Side Spade Handle	T15-41	03142080	
	for 2945	2945-3	03472784	55	Spade Handle Stud	534-448	03055407	
	for 2950	2950-3	03473295	56	Stud Nut	107-73A	03199346	
24	Front End Plate	2950-11	03473170		Exhaust Deflector Kit	2934-K23	03675840	
† 25	Front Rotor Bearing	TA-22A		57	Exhaust Deflector	2934-23A	03874294	
26	Cylinder Dowel			† 58	Gasket	2934-223	03675832	
	for 2945	844-98	03067402	† 59	Silencer	2940P-311	03657855	
	for 2950	2950-98	03472925	60	Exhaust Baffle	2934-124	03675816	
27	Motor Housing Assembly			61	Exhaust Deflector Screw (2)	R43F-104	03373255	
	for 2945	2945-A40	03472628	*	Nameplate			
	for 2950	2950-A40	03472891		for 2945A7, 2945B7 and 2945B1	2945-301	03674645	
28	Reverse Valve Bushing	2934-3305	03442142		for 2945A7-EU and 2945B7-EU			
† 29	Air Port Gasket (2)	R44H-210A	03157229		for 2950A7 and 2950B7	2950-301	03674678	
† 30	Gasket Retainer (2)	2940-200	03474582		for 2950-EU and 2950B7-EU			
31	Reverse Valve Assembly	2934-A329	03441946	*	Nameplate Screw (4)	C32-302	03081742	
† 32	Reverse Valve Bushing Seal	85H-167	03035847	*	Wooden Box	2945-96	03751971	
33	Reverse Lever	2934-658A	03680725	*	Grease Gun	R000A2-228	03095015	
† 34	Reverse Lock Plunger	4U-663B	03071800	*	Tune-up Kit			
† 35	Plunger Spring	4U-664	03071818		for 2945 (includes illustrated parts 3, 7, 9, 11, 15, 19, 22, 25, 29 [2], 30 [2], 32, 34, 35, 36, 58 and 59)	2945-TK2	03803137	
† 36	Hammer Case Gasket	845-36	03401098		for 2950 (includes illustrated parts 3, 7, 9, 11, 15, 19, 22, 25, 29 [2], 30 [2], 32, 34, 35 and 36)	2950-TK2	03803145	

* Indicates Not Illustrated.

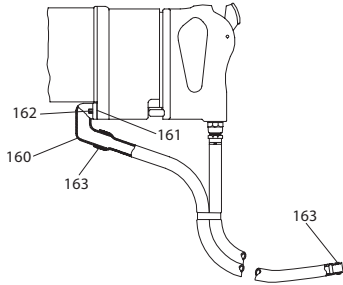
† Indicates a Tune-up Kit part.

• To keep downtime to a minimum, it is desirable to have on hand certain repair parts. We recommend that you stock one (pair or set) of each part indicated by a bullet (•) for every four tools in service.

++ The Hammer Case Bushing is a press fit in the Hammer Case. A .005" oversize Bushing is available and should be used if the nose of the Case has stretched to the extent that a new standard size Bushing fits loosely. The Part No. for a .005" oversize Bushing is 2950-541-5.

Some tools have a single oil chamber plug. For these tools, order one Oil Chamber Plug, Part Number R2-227.

Piped-away Exhaust Kit



(Dwg. TPA559)

Item	Part Description	Part Number	CCN
	Piped Away Exhaust Kit		
	without Muffler	2940-K184	03473881
160	Exhaust Adapter	2940-167	03473915
161	Exhaust Adapter Gasket	2940-30	03473873
162	Adapter Cap Screw (No. 10-24 thread x 5/8" Socket Head (2)	AL-638	03026093
163	Hose Clamp	R21-31	03467750

Parts and Maintenance

When tool life has expired, it is recommended that the tool be disassembled, degreased and parts separated by material for proper recycling. Tool repair and maintenance should only be carried out by an authorized Service Center.

Refer all communications to the nearest **Ingersoll Rand** office or distributor.

Related Documentation

Manuals can be downloaded from ingersollrandproducts.com.

For additional information, refer to:

Product Safety Information Manual 04580916.

Product Information Manual 04584835.

Maintenance Information Manual 04584306.

Notes:

Notes:

Notes:

ingersollrandproducts.com

© 2014 *Ingersoll Rand*

