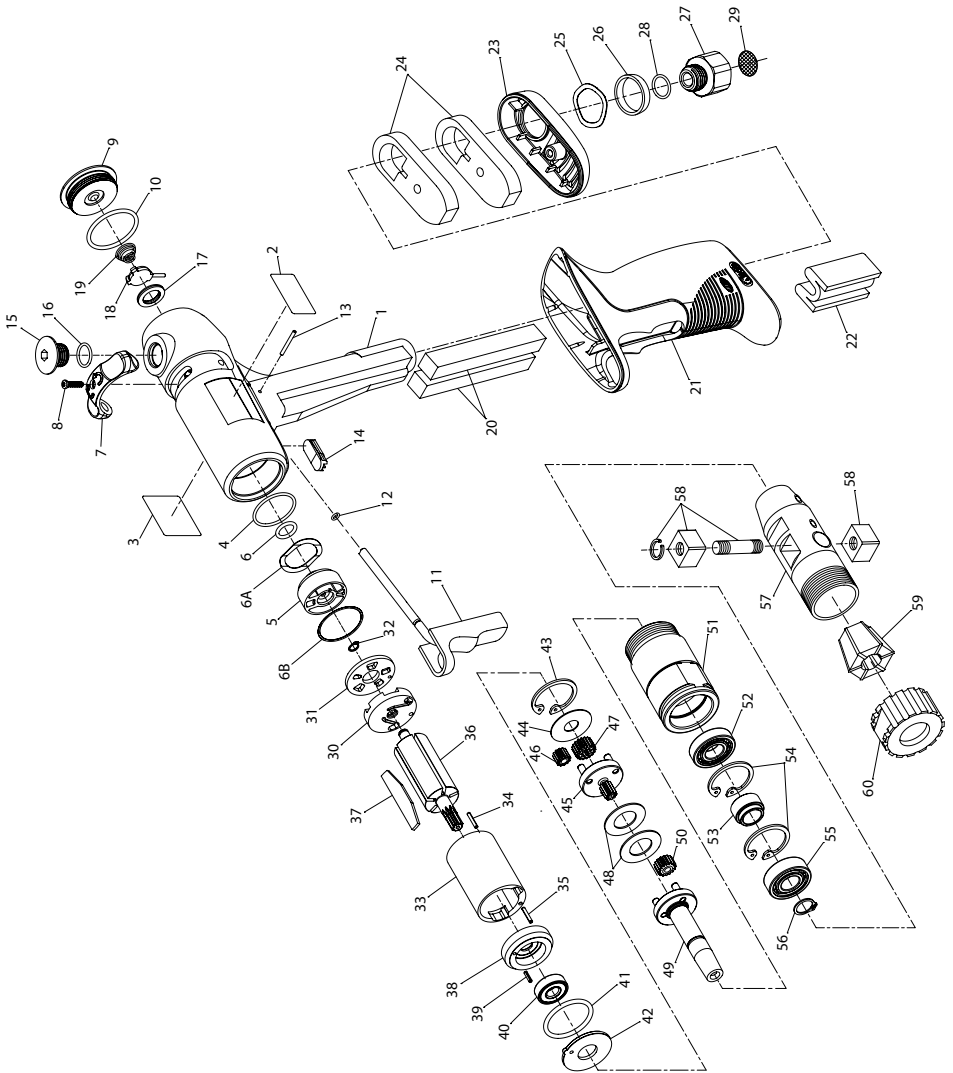


Air Drill QP15 Tapper Exploded Diagram



(Dwg. TPA1836-2)



Air Drill QP1S Tapper Parts List

Item	Part Description	Part Number	Item	Part Description	Part Number
1	Motor Housing Assembly	TRP-A40-B	36	Rotor	TRD-53
2	Nameplate	TRH-301	37	Vane Packet (set of 5 Vanes)	TRH-42-5
3	Warning Label	TRH-99	38	Front End Plate Assembly	TRH-A11
4	Housing O-ring	TRH-104	39	End Plate Alignment Pin	TRH-98-2
5	Reverse Valve Assembly	TRH-A3291	40	Front Rotor Bearing	TRH-24
6	Reverse Valve Seal	R1A-159	41	Motor Seal	TRH-211
6A	Wave Washer	TRP-761-2	42	Motor Clamp Washer	TRH-207
6B	O-Ring	M002-159	43	Gear Retainer	TRH-28
7	Reverse Lever	TRP-273	44	Gear Head Spacer	TRH-81
8	Reverse Lever Screw	TRH-330	45	Planet Gear Head Assembly (includes gear shafts)	
9	Rear Housing Cap Assembly	TRP-A202		for 500 rpm models	TRH-A2169-16
10	Rear Housing Cap Seal	TRP-158		for 1000 rpm models	TRH-A2169-12
11	Trigger Assembly	TRP-A93	46	Planet Gear (3 for each Gear Head)	
12	Trigger Shaft O-ring	TRP-112		for 500 rpm models	TRH-10-16
13	Trigger Retaining Pin	400-25-87-4		for 1000 rpm models	TRH-10-12
14	Memory Chip Holder Assembly (for models with memory chip only; includes memory chip)	TRP-A528	47	Gear Head Pinion (for 1000 rpm models)	TRH-17-18
15	Inlet Plug Assembly (for models with top inlet only)	TRP-A565	48	Planet Gear Head Spacer (2)	TRH-82
16	Inlet Plug Seal	TRP-103	49	Spindle Assembly	TRD-A8-16T
17	Throttle Valve Seat	TRP-303	50	Spindle Planet Gear (3)	TRH-10-16
18	Throttle Valve	TRP-A302	51	Gear Case	TRD-37
19	Throttle Valve Spring	TRP-51	52	Rear Spindle Bearing	R00H-97
20	Housing Muffler Element (2)	TRP-311-2	53	Spindle Bearing Spacer	TRD-111
21	Housing Grip		54	Bearing Stop (2)	TRH-28
	large size (standard)	TRP-40-2	55	Front Spindle Bearing	TRH-510
	small size	TRP-40-1	56	Bearing Retainer	4E-6
22	Grip Muffler Element	3RA-310	57	Tap Chuck	R000AR2TM-199
23	Grip End Cap	TRP-40-B	58	Chuck Back Jaw Assembly (includes one pair of jaws, adjusting screw, and lock ring)	2U-102
24	End Cap Muffler Element (2)	TRP-311-1	59	Collet (1/4" capacity)	2U-103-1/4
25	Wave Washer	TRP-761	60	Chuck Nut	2U-104
26	Inlet Bushing Bezel	TRP-123	*	Chuck Nut Wrench	7RAQT4-254
27	Inlet Bushing Assembly		*	Chuck Body Wrench	R000AR2TM-69
	for 1/4-18 NPT thread	TRP-A465	*	Chuck Back Jaw Wrench	R2J-562
	for 1/4-19 BSPT thread	TRP-A465-B	*	Tapping Chuck Removal Wedge (3)	R000AR2TM-200
28	Inlet Bushing Seal	TRP-103	*	Hanger Assembly	TRP-A365
29	Inlet Bushing Screen	TRH-61	*	Tune-Up Kit (Includes the following items: 4, 6, 10, 12, 13, 16, 17, 18, 19, 20, 22, 24, 25, 26, 29, 32, 37, 39, 40 and 41)	Q2-PFAST-TK1
30	Rear End Plate Assembly (includes rear rotor bearing)	TRH-A12-1			
31	Rear End Plate Face Plate	TRH-12-2			
32	Rear End Plate Assembly Retainer	85L-305			
33	Cylinder Assembly	TRH-A3			
34	Cylinder Rear Alignment Pin	TRH-98			
35	Cylinder Front Alignment Pin	TRH-98-1			

* Indicates Not illustrated

Parts and Maintenance

When the life of the tool has expired, it is recommended that the tool be disassembled, degreased and parts be separated by material for proper recycling.

Tool repair and maintenance should only be carried out by an authorized Service Center.

Refer all communications to the nearest **Ingersoll Rand** office or distributor.

Related Documentation

Manuals can be downloaded from ingersollrandproducts.com

For additional information refer to:

Air Drill Product Safety Information Manual 04580353.

Air Drill Product Information Manual 45587003.

Air Drill Maintenance Information Manual 45587011.



ingersollrandproducts.com
© 2015 Ingersoll Rand

04577482
Edition 6
May 2015