



16572885
Edition 3
May 2014

Air Drill

44SMA, 44SMA-EU

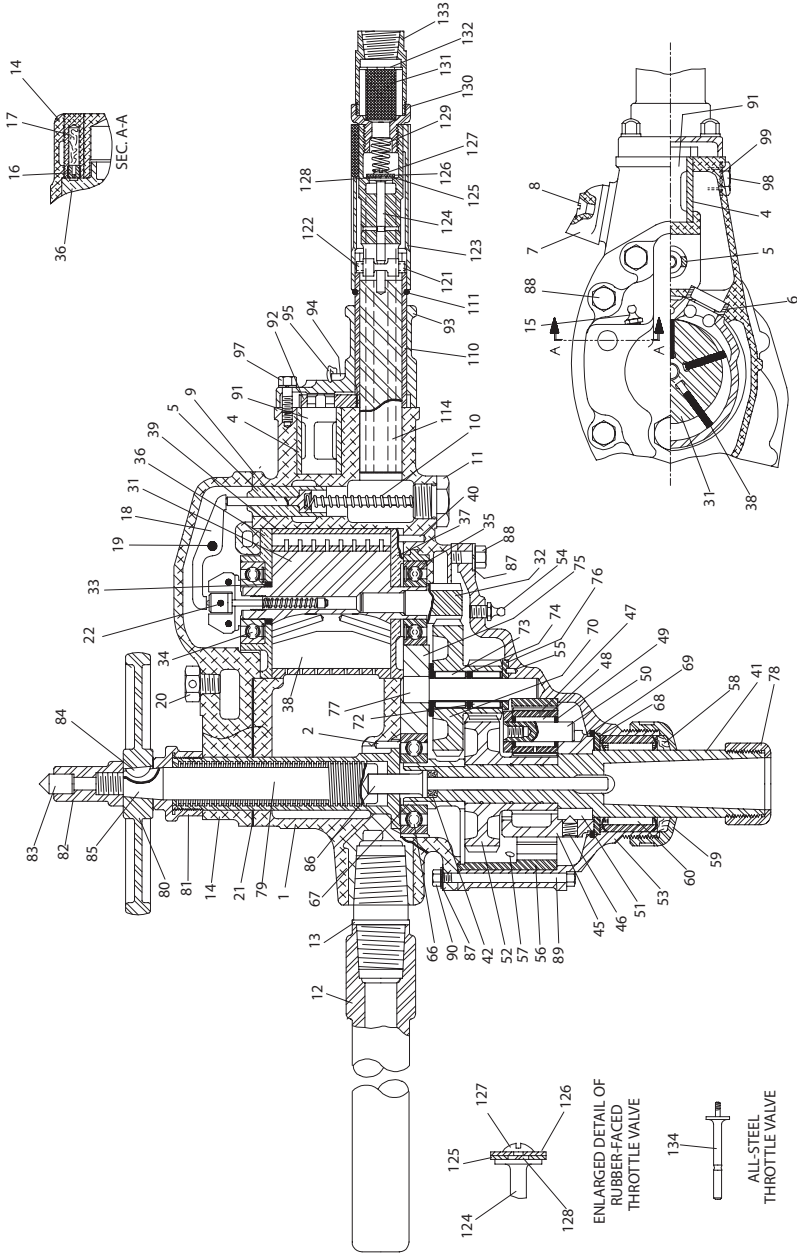
Parts Information



Save These Instructions

IR *Ingersoll Rand*

44SMA Air Drill - Exploded View



(Dwg. TPA324-3)

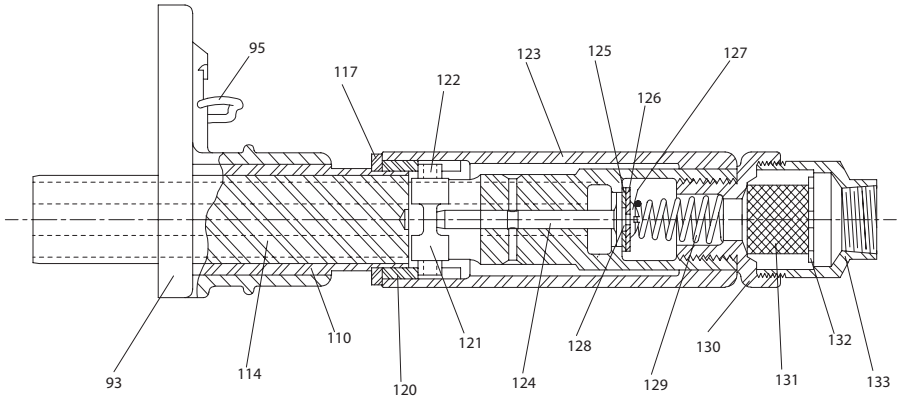
44SMA Air Drill - Parts List

Item	Part Description	Part Number	Item	Part Description	Part Number
1	Motor Housing		52	Spindle Gear	R45M-9
	for models ending in -EU	R44H-EU-40	53	Gear Case	R45M-37
	for all other models	R44H-40	54	Grease Fitting	23-188
*	Warning Label		55	Thrust Plate Dowel	R3G-34
	for models ending in -EU	EU-99	56	Internal Gear	R45M-406
	for all other models	WARNING-8-99	57	Internal Gear Rivet (5)	R45M-407
*	Nameplate		58	Spindle Packing	R3H4-14
	for models ending in -EU	R2H-EU-99	59	Spindle Packing Nut	R3H4-15
	for all other models	R2H-99	60	Spindle Bearing	R3H4-510
2	Feed Screw Dowel	R3H-527	66	Spindle Thrust Bearing	TB-105
4	Reverse Valve Bushing	R44H-330	67	Spindle Thrust Bearing Spacer	R45M-100
5	Governor Valve Bushing	R3H-429	68	Spindle Thrust Ring	R4H-511
6	Air Port Gasket (2)	R44H-210A	69	Spindle Thrust Ring Retainer	R35M-83
7	Exhaust Deflector	R33H-23	70	Intermediate Gear	R45M-82
8	Exhaust Deflector Screw	R44H-312	72	Intermediate Gear Front Bearing	R45M-500
9	Governor Valve	R4H-425	73	Intermediate Gear Rear Bearing	R45M-501
10	Governor Valve Spring	R4H-431	74	Intermediate Gear Bearing Spacer	R45M-573
11	Governor Valve Cap	R4H-433	75	Intermediate Gear Thrust Washer	R30-645
12	Dead Handle	TA-48A	76	Intermediate Gear Thrust Plate	R45M-570
13	Dead Handle Stud	TB-364	77	Intermediate Gear Shaft	R45M-502
14	Backhead	R4H-102	78	Protection Nut	T01-43A
15	Grease Fitting	23-188	79	Outer Feed Screw	R4H-290
16	Oiler Adjusting Screw (2)	JA4-71		Feed Screw Assembly	TB-A291
17	Oiler Felt (6)	JA4-75	80	Feed Handle	TB-2
18	Governor Lever	R4H-436	81	Feed Screw Cap	TB-392
19	Governor Lever Pin	N00-15	82	Feed Handle Lock Nut	TB-388A
20	Oil Chamber Plug	P25-227	83	Feed Screw Center	TB-244
† 21	Backhead Gasket	R4H-283	84	Feed Handle Key	TC-18
22	Governor Assembly	R5H-A424B	85	Inner Feed Screw	TB-291
31	Rotor	R44H-53	86	Drill Ejecting Pin	R45M-114
32	Rotor Pinion	R4J-17	87	Lock Washer (5/16") (17)	T11-58
33	Rotor Bearing Spacer	555-65	88	Cap Screw (8)	B8-240
† 34	Rear Rotor Bearing	555-22	89	Gear Case Bolt	
† 35	Front Rotor Bearing	555-24		Long	R45M-126
† 36	Rear End Plate	R44H-12		Short (3)	R45M-125
† 37	Front End Plate	R44H-11	90	Gear Case Bolt Nut (1 for each Bolt)	D02-428
† 38	Vane Packet (set of 5 Vanes)	555-42-5	91	Reverse Valve	R44H-329
† 39	Cylinder	R44H-3	92	Reverse Valve Sector	R44H-488
40	Cylinder Dowel	R4H-98	93	Sector Cover	R44H-489
	Spindle Assembly	R45M-B108	94	Reverse Stop	R44H-568
41	Spindle	R45M-108	95	Reverse Stop Lever	R44H-569
42	Ejecting Pin Packing	R4H-408	*	Reverse Stop Washer	R44H-572
	Planet Gear Frame Assembly	R45M-A367	97	Sector Cover Screw (5)	R44H-490A
45	Planet Gear Frame	R45M-367	98	Throttle Body Set Screw	TCCW-433
46	Planet Gear Frame Set Screw (3)	R45M-574	99	Throttle Body Set Screw Lock Washer	D02-537
47	Planet Gear (3)	R45M-10			
48	Planet Gear Roller (45)	R45M-152			
49	Roller Retaining Plate	R45M-468			
50	Planet Gear Shaft (3)	R45M-191			
51	Planet Gear Frame Key	R45M-410			

* Not illustrated.

† To keep downtime to a minimum, it is desirable to have on hand certain repair parts. We recommend that you stock one (pair or set) of each part indicated by a (†) for every four tools in service.

44SMA Air Drill - Exploded View



(Dwg. TPD1182-1)

44SMA Air Drill - Parts List

Item	Part Description	Part Number
	Throttle Assembly	R44H-A518
110	Throttle Sector	R44H-497
111	Throttle Sector Snap Ring	R44H-486
** 114	Throttle Body	R44H-518
121	Throttle Valve Lift Pin	R4H-306
*	Rotational Label (reversible)	R22H-100
122	Lift Pin Roller (2)	TAA-426
123	Throttle Sleeve	R4H-305
‡ 124	Rubber-Faced Throttle Valve	R4H-402
† 125	Throttle Valve Face	R4H-159
126	Throttle Valve Face Cap	4H-157
127	Throttle Valve Face Retaining Screw	R4-158
128	Retaining Screw Lock Washer	H54U-352
129	Throttle Valve Spring	TAA-418
	Air Strainer Assembly	R4H-A565
130	Air Strainer Cap	R4H-566
131	Air Strainer Screen	R3H-61
132	Air Strainer Screen Support	R3H-567
133	Air Strainer Body	R3H-565
134	All Steel Throttle Valve	R4H-302

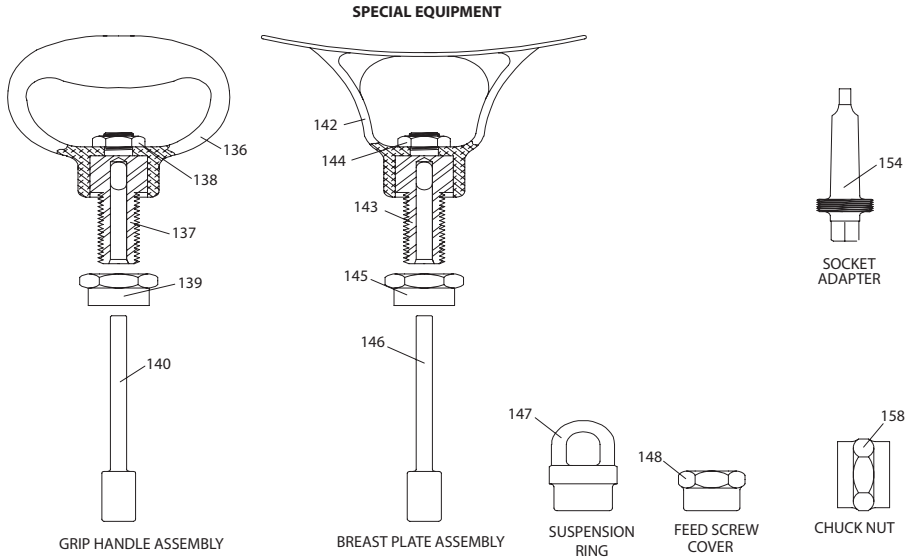
* Not illustrated.

** If ordered as a replacement for a Throttle Body Equipped with an All Steel Throttle Valve, also order the Rubber-Faced Throttle Valve (124). The body for use with the All Steel Throttle Valve is discontinued.

‡ Cannot be used as a replacement for the All Steel Throttle Valve

† To keep downtime to a minimum, it is desirable to have on hand certain repair parts. We recommend that you stock one (pair or set) of each part indicated by a (†) for every four tools in service.

44SMA Air Drill - Exploded View



(Dwg. TPB10-3)

44SMA Air Drill - Parts List

Item	Part Description	Part Number
	Grip Handle Assembly	TB-A41
136	Grip Handle	A-41
137	Grip Handle Stud	TB-448
138	Grip Handle Stud Nut	B12-249
139	Grip Handle Nut	TB-447
140	Grip Handle Ejecting Pin	TB-50
	Breast Plate Assembly	TB-A79
142	Breast Plate	TC-79
143	Breast Plate Stud	TB-448
144	Breast Plate Stud Nut	B12-249
145	Breast Plate Nut	TB-447
146	Breast Plate Ejecting Pin	TB-50
147	Suspension Ring	TB-365
148	Feed Screw Cover	TB-461
154	Socket Adapter (No. 4 Morse Taper to 1" square drive)	R40-214
158	Chuck Nut	T01-347
*	Male Hose Nipple (3/4" hose to 1/2" male pipe)	A03-46

* Not illustrated.

Parts and Maintenance

When the life of the tool has expired, it is recommended that the tool be disassembled, degreased and parts be separated by material so that they can be recycled.

Tool repair and maintenance should only be carried out by an authorized Service Center.

Refer all communications to the nearest **Ingersoll Rand** Office or Distributor.

Related Documentation

For additional information refer to:

Air Drill Product Safety Information Manual 04580353.

Air Drill Product Information Manual 16572240.

Air Drill Maintenance Information Manual 16572554.

Manuals can be downloaded from ingersollrandproducts.com

Notes:

ingersollrandproducts.com

© 2014 *IngersollRand*

