



48420558

Edition 3

June 2022

Air Die Grinder

M2 Series

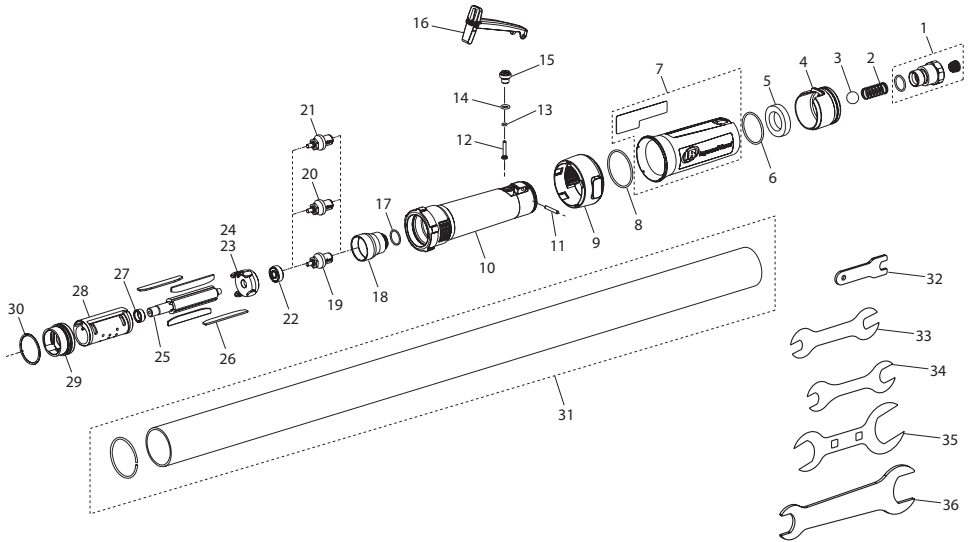
Parts Information



Save These Instructions

 **Ingersoll Rand**[®]

M2 Series, Air Die Grinder - Exploded View (Motor & Motor Housing)



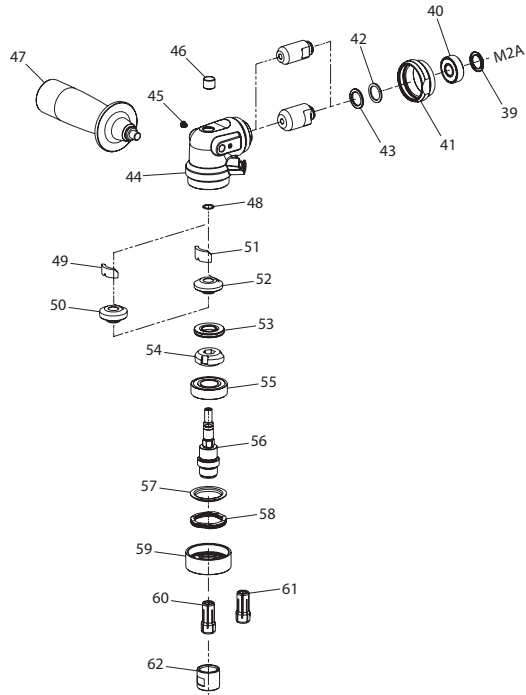
(Dwg. 47506252)

M2 Series, Air Die Grinder - Parts List (Motor & Motor Housing)

Item	Part Description	Part Number	Item	Part Description	Part Number
1	Inlet Bushing Assembly	HG2-A465	21	Controller Assembly (25,000 RPM) M2H250, M2X250, M2A180 & M2X075 models	HG2-A424-25K
	Inlet Bushing	---			
	Inlet Screen	R1602-61	22	Bearing	HG2-127A
	Inlet O-Ring	48410609	23	Rear End Plate	HG2-12
2	Spring	MG1-51	24	Pin	Y178-211
3	Ball	D10-280	25	Rotor	HG2-53-4
4	Rear Exhaust Diffuser	HG2-123	26	Vane Pack (Set of 4)	HG2-42-4
5	Rear Muffler	HG2-311R	27	Rotor Spacer	LG2-65
6	O-Ring	Y325-26	28	Cylinder	HG2-3A
7	Sleeve and Label Assembly	HG2-A747	29	Front End Plate	HG2-11
	Sleeve	---	30	O-Ring	Y325-25
	Model Label	HG2-300	31	Piped Away exhaust kit	HG2-K284
8	O-Ring	Y325-29		Exhaust hose	---
9	Front Housing Cap	HG2-202C		Retaining ring	---
10	Motor Housing Assembly	HG2-A40	32	Wrench (11 mm, for controller assembly)	301-69A
11	Pin	HG2-120	33	Wrench (for collet body)	DG10-69
12	Throttle Pin	HG2-161	34	Wrench (for collet nut)	DG120-69
13	O-Ring	45635125	35	Wrench (38 mm, for clamp nut, M2A & M2X models)	LA2-253
14	O-Ring	Y325-10			
15	Throttle Pin Bushing	HG2-781	36	Wrench (35 mm, for clamp nut, M2H models)	MG1-253
16	Lever Assembly	HG2-A400			
	Lever	---	†	M2A Tune up kit includes items (2, 3, 5, 6, 8, 11, 13, 14, 17, 22, 26, 30, 39, 40, 42, 43, 46, 48, 53, 55, 58)	HG2-DGTKA
	Lever Lock	---	†	M2H Tune up kit includes items (2, 3, 5, 6, 8, 11, 13, 14, 17, 22, 26, 30, 63, 64, 65)	HG2-DGTKH
	Spring	---	†	M2X Tune up kit includes items (2, 3, 5, 6, 8, 11, 13, 14, 17, 22, 26, 30, 63, 64, 65, 67, 69, 72, 73, 76, 77, 78, 79, 80, 81)	HG2-DGTKX
17	O-Ring	47112487	†	M2X075 Tune up kit includes items (2, 3, 5, 6, 8, 11, 13, 14, 17, 22, 26, 30, 63, 64, 65, 88, 91, 92, 94, 95, 96, 97)	HG2-DGTKX075
18	Nozzle	HG2-19			
19	Controller Assembly (18,000 RPM) M2H180 and M2X180 models	HG2-A424-18K	†	Service Tool Kit (32, 33, 34, 35, 36)	HG2-DGTKT
20	Controller Assembly (20,000 RPM) M2H200, M2X200 & M2A120 models	HG2-A424-20K			

† Indicates common-wear parts. Maintain stock to reduce downtime.

M2 Series, Air Die Grinder - Exploded View (Angle)



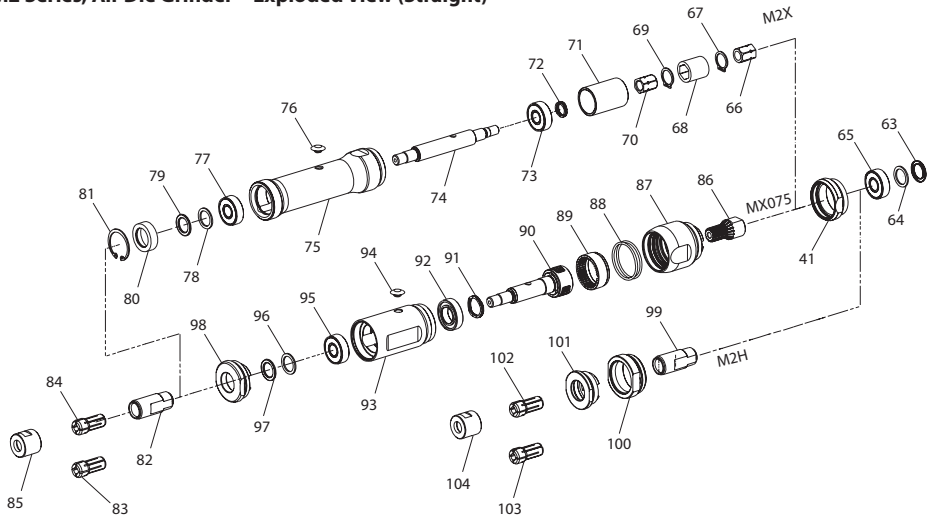
(Dwg. 47506253)

M2 Series, Air Die Grinder - Parts List (Angle)

Item	Part Description	Part Number	Item	Part Description	Part Number
39	Felt Wiper Cup	61H-32	49	Wick M2A120RG4	HG2-561-1.7
40	Bearing	HG2-24	50	Bevel Pinion Assembly M2A120RG4	HG2-A552-1.7
41	Clamp Nut	HG2-27	51	Wick M2A180RG4	HG2-561-1.3
42	Felt Wiper	HG2-33	52	Bevel Pinion Assembly M2A180RG4	HG2-A552-1.3
43	Felt Wiper Cup	61H-32	53	Rotary Seal	HG2-223
44	Angle Head Assembly	HG2-A550	54	Spindle Lock Hub	HG2-108
	Bearing	MG1-693	55	Bearing	HG2-105A
	Angle Housing	---	56	Arbor, Collet	HG2-4-G4
	Grease Fitting	---	57	Spring Guide	HG2-119
	Locking Pin	---	58	Spring, Wave	HG2-250B
	O-Ring	---	59	Bearing Retainer	HG2-531
	Spring, conical	---	60	Collet, 6mm	G160HD-700-6MM
	Bushing	---	61	Collet, 1/4"	G160HD-700-1/4
	Warning Label, Heat	VT22-99	62	Collet Nut	DG120-699A
45	Seal Screw	47500512001	*	IR # 22 Angle Head Grease (20 cc packet)	77A-EP0
46	Bearing	MG1-693			
47	Handle	HG2-48			
48	Ring, retaining	48378715			

* Indicates not illustrated

M2 Series, Air Die Grinder - Exploded View (Straight)



(Dwg. 47506254)

M2 Series, Air Die Grinder - Parts List (Straight)

Item	Part Description	Part Number	Item	Part Description	Part Number
63	Felt Wiper Cup	61H-32		Additional Parts for all MZX075 Models	
64	Felt Wiper	HG2-33	86	Pinion, 18 teeth	HG2-17
65	Bearing	HG2-24	87	Gear Case Assembly	HG2-A37
	Additional Parts for all M2X Models			Gear Case	---
66	Bearing Nut	LE2-85		Grease Fitting	D0F9-879
67	Retaining Ring	RX3-729		Pin (2)	Y178-211
68	Arbor Coupling	LE2-304	88	O-Ring (2)	Y325-26
69	Retaining Ring	RX3-729	89	Ring Gear	HG2-406
70	Bearing Nut	HG2-85	90	Planetary Gear Assembly	HG2-A216
71	Clamp Sleeve	HG2-276	91	Wave Spring	HG2-250P
72	Wave Spring	HG2-250E	92	Bearing	QA4-114803
73	Bearing	HG2-24	93	Housing, Extension Planetary	HG2-20PX1
74	Arbor Horizontal Extension	HG2-4HX	94	Access hole plug	EG220-92
75	Housing, Horizontal Extension	HG2-20HX	95	Bearing	HG2-24
76	Access hole plug	EG220-92	96	Felt Wiper	HG2-33
77	Bearing	HG2-24	97	Felt Wiper Cup	61H-32
78	Felt Wiper	HG2-33	98	End Cap	HG2-46P
79	Felt Wiper Cup	61H-32		* IR # 67 Planetary gear grease (4 oz packet) Note: Do not use in angle head	67-4T
80	Dust Shield	LE2-200		Additional Parts for all M2H Models	
81	Retaining Ring	W22-118	99	Collet Body	LG2-290
82	Collet Body	LG2-290	100	Clamp Nut	HG2-275
83	Collet, 1/4"	G160HD-700-1/4	101	Clamp Spacer	HG2-46
84	Collet, 6mm	G160HD-700-6MM	102	Collet, 1/4"	G160HD-700-1/4
85	Collet Nut	DG120-699A	103	Collet, 6mm	G160HD-700-6MM
			104	Collet Nut	DG120-699A

* Indicates not illustrated

Parts and Maintenance

When tool life has expired, it is recommended that the tool be disassembled, degreased and parts separated by material for proper recycling.

Tool repair and maintenance should only be carried out by an authorized Service Center.

Refer all communications to the nearest **Ingersoll Rand** office or distributor.

Related Documentation

Manuals can be downloaded from ingersollrand.com

For additional information, refer to:

Product Safety Information Manual 04580288

Product Information Manual 48420517

Notes:

Notes:

[ingersollrand.com](https://www.ingersollrand.com)

© 2022 *Ingersoll Rand*

